

Model	Year	MG	SG	Illustration	Restrictions	Update	9:54	21.08.2006
911t	77	0	01	1-05		203		

Pos	Part Number	Name	Remarks	Qty	Model
		stickers			
-	901 701 111 05	sticker paint		1	
-	900 093 001 02	t-headed screw		4	
-	911 701 127 00	sticker indication sticker starter		1	
-	911 701 171 00	sticker actuator heating ventilation	77-	1	
-	901 006 502 00	sticker firing order		1	
-	901 006 503 00	sticker valve clearance		1	
-	911 006 504 01	sticker engine-oil level		1	
-	930 006 503 03	sticker adjustment exhaust system	77-	1	
-	930 006 503 00	sticker adjustment exhaust system		1	
-	930 006 503 04	sticker adjustment exhaust system - HIGH ALTITUDE AREAS -		1	
-	911 006 512 09	sticker tyre pressure	76-	1	
-	411 000 263 A	sticker premium gasoline		1	
-	911 006 541 00	sticker brake fluid		1	
		- - - E N D - - -			

Model	Year	MG	SG	Illustration	Restrictions	Update	9:55	21.08.2006
911t	77	0	02	2-00		203		

Pos	Part Number	Name	Remarks	Qty	Model
-	911 361 909 00	snow chains snow chains 1 set ERLAU "EUROPA" 165 X 15		1	
-	911 361 903 00	cross chain 1 set ERLAU "EUROMONT" 165 X 15		1	
-	911 361 902 00	cross chain 1 set ERLAU "EUROPA" 185/70 X 15		1	
-	901 361 901 00	edge chain 1 set RUD 185/70 X 15		1	
-	911 361 904 00	edge chain 1 set RUD 215/60 VR 15		1	
-	911 361 909 00	snow chains 1 set RUD 225/50 VR 15		1	
-	930 361 901 00	edge chain 1 set RUD 225/50 VR 16		1	
		- - - E N D - - -			

PORSCHE

PET

PORSCHE

Model	Year	MG	SG	Illustration	Restrictions	Update		
911t	77	0	02	2-05		203	9:55	21.08.2006

Pos	Part Number	Name	Remarks	Qty	Model
-	901 801 010 01	roof rack ski rack		1	
-	901 801 953 00	leather strap 1 set		1	
-	901 801 015 20	ski rack		1	
-	901 801 951 00	strap for ski fastening 1 set		1	
-	901 801 950 00	strap for ski fastening		1	
		- - - E N D - - -			

PORSCHE

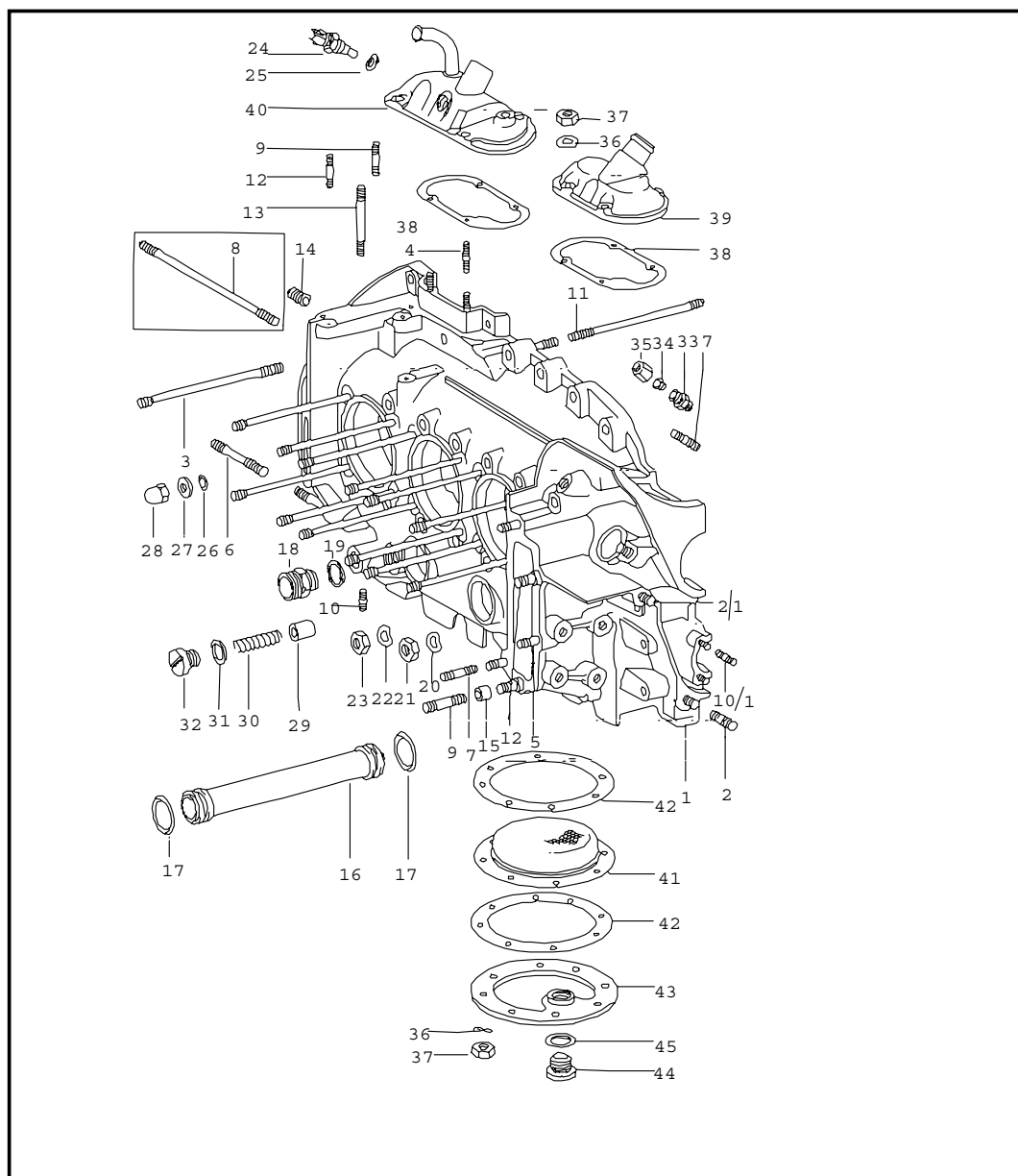
PET

PORSCHE

Model	Year	MG	SG	Illustration	Restrictions	Update		
911t	77	1	01	101-00		203	9:55	21.08.2006

Pos	Part Number	Name	Remarks	Qty	Model
		replacement engine			
		replacement engine complete ready for installation			
-	930 100 151 00	engine k-jetronic		1	930/51
-	930 100 153 00	engine k-jetronic		1	930/53
		- - - E N D - - -			

Model	Year	MG	SG	Illustration	Restrictions	Update	9:55	21.08.2006	PORSCHE	PET	PORSCHE
911t	77	1	01	101-05		203					

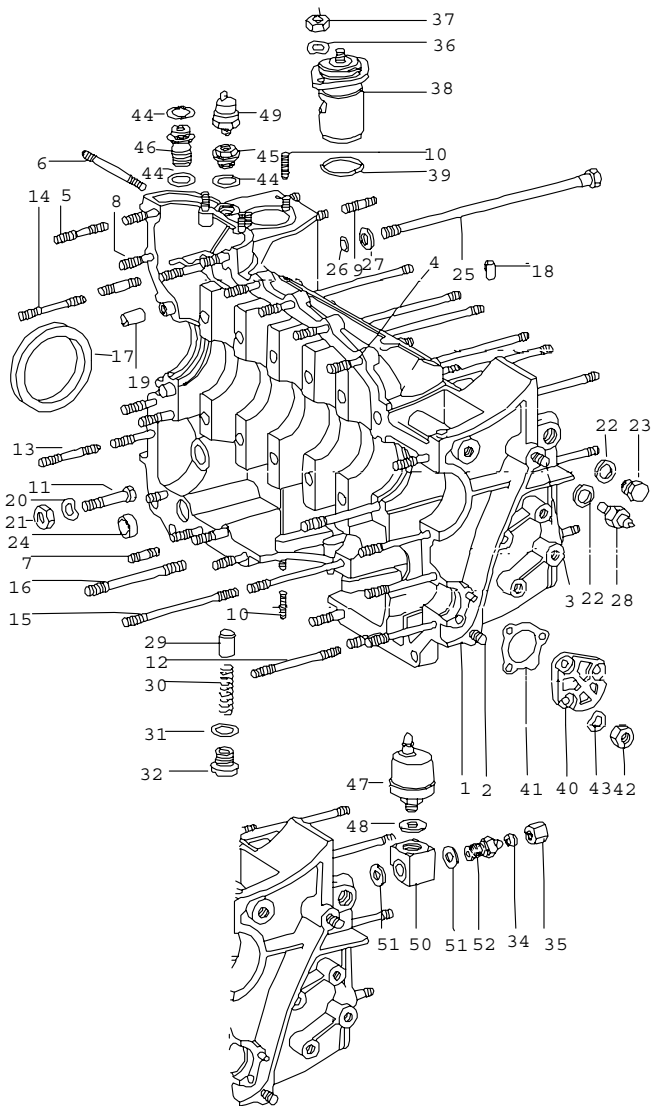


Pos	Part Number	Name	Remarks	Qty	Model
1	930 101 914 00	crankcase left		1	
2	999 062 207 02	stud with studs		1	
2/1	999 062 208 02	stud M 10 X 45		1	
3	999 062 208 02	screw M 10 X 65		1	
3	930 101 170 00	stud (DILAVAR)		24	
4	999 062 085 02	stud M 6 X 20		4	
5	999 062 006 02	stud M 8 X 20		2	
6	999 061 034 02	stud M 10 X 67		2	
6	999 062 165 02	screw M 10 X 75		1	
7	999 062 007 02	stud M 8 X 22		5	
9	999 062 009 02	stud M 8 X 28		3	
10	999 062 055 02	stud M 6 X 12		5	
10/1	999 062 002 02	stud M 6 X 15		3	
(11)	930 101 174 01	stud		2	
12	999 062 008 02	stud M 8 X 25		3	
13	999 062 147 02	stud M 8 X 62		1	
14	999 504 062 02	threaded bush	-76	1	
15	901 101 145 00	dowel sleeve		4	
16	901 107 351 01	oil tube		4	
(16)	930 107 040 00	oil tube 1 set comprising:		X	

Model	Year	MG	SG	Illustration	Restrictions	Update	9:55	21.08.2006	PORSCHE	PET	PORSCHE
911t	77	1	01	101-05		203					

Pos	Part Number	Name	Remarks	Qty	Model	Pos	Part Number	Name	Remarks	Qty	Model
-	-	oil tube I		1		34	N 020 825 1	cutting ring LL 8		1	
-	-	oil tube II		1		35	900 104 003 02	union nut ALL 8		1	
-	900 041 013 01	circlip		1		36	N 012 226 5	spring washer B 6		12	
-	999 707 113 40	round seal		2		37	900 076 010 02	hexagon nut M 6		12	
-	999 707 112 40	round seal		2		38	* 930 107 791 00	gasket		1	
17	* 999 707 112 40	round seal		8		39	901 107 073 02	cover for bleeder		1	
18	999 136 008 09	connection piece		1		41	901 101 380 01	oil strainer		1	
19	* 900 123 011 30	sealing ring A 22X 27		1		42	* 930 101 391 01	gasket for oil strainer		2	
20	* 900 031 014 30	washer A 8,4		22		43	930 101 902 00	cover for oil strainer		1	
21	900 084 004 02	hexagon nut M 8		22		44	A 911 107 176 01	magnetic screw		1	
22	N 012 242 3	spring washer B 10 X 18		1		44	911 107 176 03	screw plug		1	
23	900 076 052 02	hexagon nut M 10 X 1		1		45	* 900 123 011 20	sealing ring A 22 X 27		1	
26	* 999 701 006 40	o-ring		12				- - - E N D - - -			
27	901 101 161 01	washer		12							
28	930 101 172 01	cap nut		13							
29	A 901 107 512 01	piston see technical information GR.1/NR.5		1							
29	911 107 512 00	piston		1							
30	901 107 531 00	compression spring		1							
31	* 900 123 071 30	sealing ring A 18 X 24		1							
32	999 064 026 02	screw plug		1							
33	901 107 375 00	screw socket		1							
-	900 123 005 30	sealing ring A 12 X 16 for screw socket		1							

Model	Year	MG	SG	Illustration	Restrictions	Update	9:55	21.08.2006	PORSCHE	PET	PORSCHE
911t	77	1	01	101-10		203					

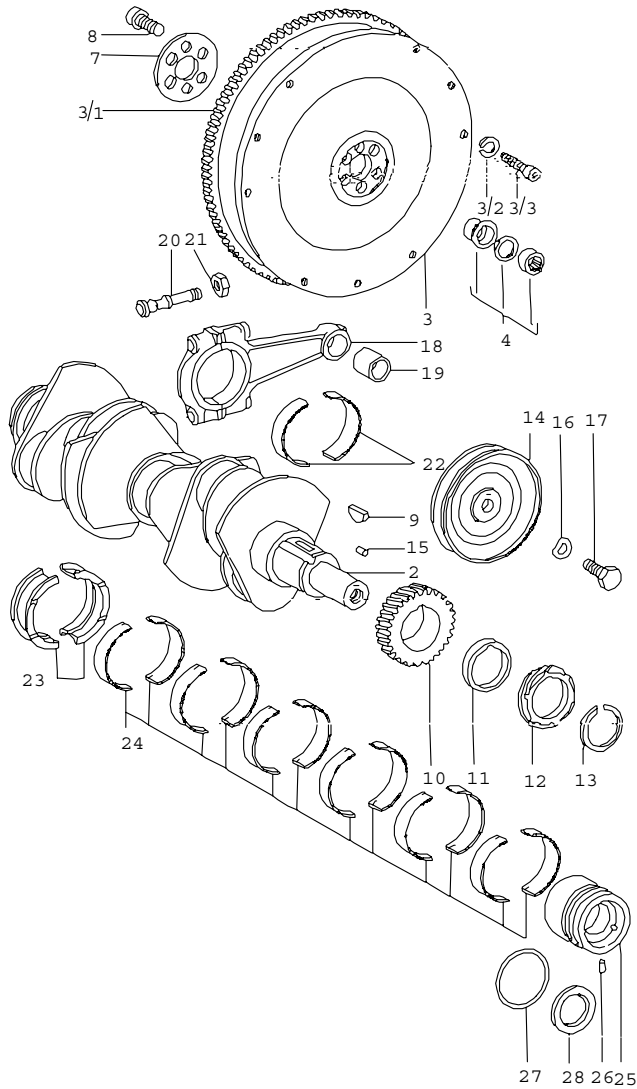


Pos	Part Number	Name	Remarks	Qty	Model
1	930 101 914 00	crankcase right		1	
2	999 062 207 02	crankcase with studs		1	
3	999 061 056 02	stud M 10 X 45		1	
4	999 062 010 02	stud M 8 X 35		1	
5	999 062 115 02	stud M 8 X 32		12	
(6)	999 062 110 02	stud BM 10 X115		1	
7	999 062 006 02	stud M 8 X 20		3	
8	999 062 009 02	stud M 8 X 28		1	
9	900 061 057 02	stud M 8 X 15		4	
10	999 062 055 02	stud M 6 X 12		7	
11	900 074 134 02	hexagon-head bolt M 8 X 45		1	
-	900 025 007 02	washer A 8,4 for ground strap		1	
12	N 014 432 4	stud M 8 X 78		3	
13	999 062 075 02	stud M 8 X 48		2	
14	999 062 138 02	stud M 8 X 52		1	
15	999 062 051 02	stud M 8 X 108		1	
(16)	930 101 175 00	stud		1	
17	* 999 113 057 52	radial sealing ring 65 X 85 X 10		1	

Model	Year	MG	SG	Illustration	Restrictions	Update	9:55	21.08.2006	PORSCHE	PET	PORSCHE
911t	77	1	01	101-10		203					

Pos	Part Number	Name	Remarks	Qty	Model	Pos	Part Number	Name	Remarks	Qty	Model
(17)	901 102 911 00	radial sealing ring undersize 64,5 X 85 X 10		1		39	* 999 701 053 50	sealing ring 39,2 X 3		1	
18	900 095 025 01	roll pin 8 X 16		1		40	911 105 162 00	cover	76-	1	
19	901 101 195 00	dowel sleeve		2		41	* 930 105 198 01	gasket for cover		1	
20	* 900 031 014 30	washer A 8,4		1		42	900 084 010 02	hexagon nut M 6		3	
21	900 084 004 02	hexagon nut M 8		1		43	* 900 031 011 30	washer A 6,4		3	
22	* 900 123 007 30	sealing ring 14 X 18		1		44	* 900 123 044 30	sealing ring A 18 X 22		1	
24	* 999 704 172 50	sealing ring		1		(45)	930 107 705 00	reducing socket for 930/51/52/53/54		1	
25	930 101 173 02	screw for crankcase		11		47	911 606 111 00	pressure transmitter		1	
26	* 999 701 006 40	o-ring		12		48	* 900 123 009 20	sealing ring		1	
27	901 101 161 01	washer		12		49	911 606 230 00	oil pressure switch		1	
28	901 641 632 00	remote temperature sensor		1		50	911 107 704 00	connection piece for 930/51/52/53/54		1	
29	A 901 107 512 01	piston see technical information GR.1/NR.5		1		51	900 123 005 30	sealing ring A 12 X 16		2	
29	911 107 512 00	piston		1		52	911 107 709 01	screw socket		1	930/50
30	901 107 531 00	compression spring		1		52	911 107 709 02	screw socket		1	
31	* 900 123 071 30	sealing ring A 18 X 24		1		-	900 108 022 00	ball \$ 9 for 930/51/52/53/54		1	
32	999 064 010 02	screw plug see technical information GR.1/NR.5		1				- - - E N D - - -			
34	N 020 825 1	cutting ring LL 8		1							
35	900 104 003 02	union nut ALL 8		1							
36	N 012 226 5	spring washer B 6		2							
37	900 076 010 02	hexagon nut M 6		2							
38	930 107 765 00	oil thermostat		1							

Model	Year	MG	SG	Illustration	Restrictions	Update	9:56	21.08.2006	PORSCHE	PET	PORSCHE
911t	77	1	02	102-00		203					



Pos	Part Number	Name	Remarks	Qty	Model
		crankshaft			
2	> 916 102 016 00	crankshaft		1	
(3)	930 102 201 01	flywheel		1	
(3/1)	930 116 230 00	starter ring		1	
3/2	900 027 015 02	lock ring B 8 see group 3/01/00		9	
3/3	900 067 090 02	pan-head screw M 8 X 42 see group 3/01/00		9	
(4)	930 102 025 00	bush		1	
7	901 102 162 04	washer		1	
8	911 102 171 00	pan-head screw		6	
9	901 102 147 00	woodruff key		1	
10	901 102 111 00	timing gear for number 0		1	
(10)	901 102 111 10	timing gear for number 1		1	
11	901 102 145 00	intermediate ring		1	
12	901 102 115 00	drive wheel		1	
13	901 102 148 00	circlip		1	
(14) A	930 102 016 00	v-belt pulley	-75	1	
(14)	930 102 126 01	pulley		1	
15	900 012 060 00	straight pin 5M 6 X 10		1	
16	900 028 014 01	spring washer B 12		1	
17	999 093 005 02	hexagon-head bolt M 12 X 1,5 X 22		1	
18	911 103 015 34	connecting rod weight group: 4 = 672 - 681 GR.		6	

Model	Year	MG	SG	Illustration	Restrictions	Update	9:56	21.08.2006	PORSCHE	PET	PORSCHE
911t	77	1	02	102-00		203					

Pos	Part Number	Name	Remarks	Qty	Model	Pos	Part Number	Name	Remarks	Qty	Model
18	911 103 015 35	connecting rod weight group: 5 = 681 - 690 GR.		6		23	901 101 131 00	bearing shell I		2	
18	911 103 015 36	connecting rod weight group: 6 = 690 - 699 GR.		6		24	911 101 133 00	bearing shell II - VII		12	
18	911 103 015 37	connecting rod weight group: 7 = 699 - 708 GR.		6		25	901 101 138 03	bearing sleeve VIII		1	
18	911 103 015 38	connecting rod weight group: 8 = 708 - 717 GR.		6		>>>	911 101 902 50	set of crankshaft bearings oversize inner 0,25 MM comprising: 75 M 615 0306 >> M 615 9067 >> M 635 0095 >> M 635 9041 >> M 645 0389 >> M 645 9031 >> M 655 0023 >> M 655 9022 >> M 665 0114 >>		1	
18	911 103 015 39	connecting rod weight group: 9 = 718 - 727 GR.		6							
>>>	911 103 959 00	connecting rod 1 set comprising: connecting rod		1							
19	901 103 131 01	connecting rod bush		6		(23)	901 101 131 50	bearing shell I		2	
20	914 103 171 00	connecting rod bolt		12		(24)	911 101 133 50	bearing shell II - VII		12	
21	901 103 173 00	connecting rod nut		12		(25)	901 101 138 53	bearing sleeve VIII		1	
22	914 103 141 00	bearing shell		12		>>>	911 101 902 55	1 set crankshaft bearing oversize inner 0,50 MM comprising: 75 M 615 0306 >> M 615 9067 >> M 635 0095 >> M 635 9041 >> M 645 0389 >> M 645 9031 >> M 655 0023 >> M 655 9022 >> M 665 0114 >>		1	
(22)	914 103 141 50	bearing shell oversize 0,25 MM		12							
(22)	914 103 141 60	bearing shell oversize 0,50 MM		12							
(22)	914 103 141 70	bearing shell oversize 0,75 MM		12							
>>>	911 101 902 00	set of crankshaft bearings comprising: 75 M 615 0306 >> M 615 9067 >> M 635 0095 >> M 635 9041 >> M 645 0389 >> M 645 9031 >> M 655 0023 >> M 655 9022 >> M 665 0114 >>		1		(23)	901 101 131 55	bearing shell I		2	
						(24)	911 101 133 55	bearing shell II - VII		12	

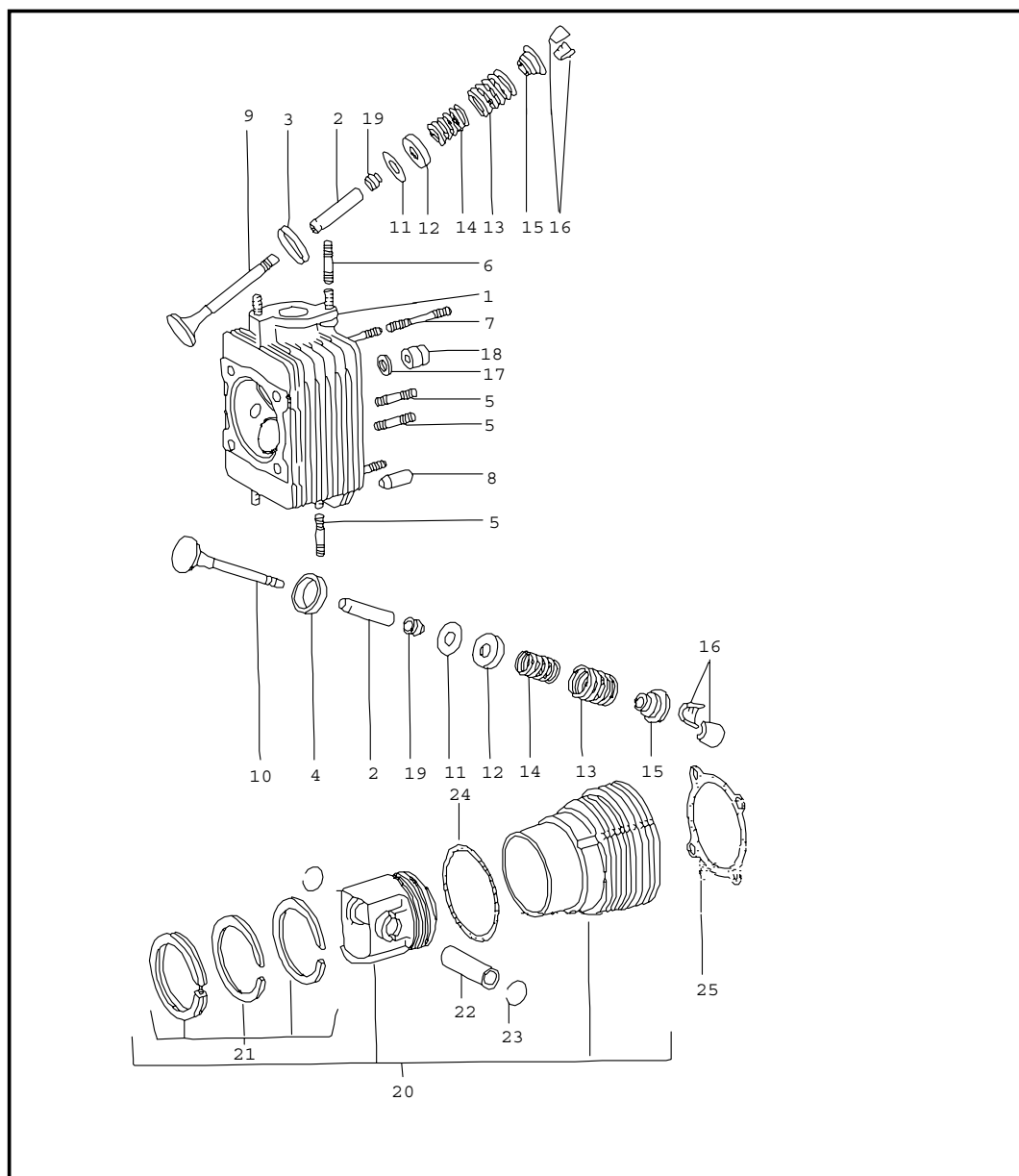
Model	Year	MG	SG	Illustration	Restrictions	Update	9:56	21.08.2006	PORSCHE	PET	PORSCHE
911t	77	1	02	102-00		203					

Pos	Part Number	Name	Remarks	Qty	Model	Pos	Part Number	Name	Remarks	Qty	Model
(25)	901 101 138 58	bearing sleeve VIII		1		>>>	911 101 902 70	set of crankshaft bearings oversize outer 0,25 MM inner 0,25 MM comprising: 75 M 615 0306 >> M 615 9067 >> M 635 0095 >> M 635 9041 >> M 645 0389 >> M 645 9031 >> M 655 0023 >> M 655 9022 >> M 665 0114 >>		1	
>>>	911 101 902 65	set of crankshaft bearings oversize inner 0,75 MM comprising: 75 M 615 0306 >> M 615 9067 >> M 635 0095 >> M 635 9041 >> M 645 0389 >> M 645 9031 >> M 655 0023 >> M 655 9022 >> M 665 0114 >>		1							
(23)	901 101 131 65	bearing shell I		2		(23)	901 101 131 70	bearing shell I		2	
(24)	911 101 133 65	bearing shell II - VII		12		(24)	911 101 133 70	bearing shell II - VII		12	
(25)	901 101 138 68	bearing sleeve VIII		1		(25)	901 101 138 73	bearing sleeve VIII		1	
>>>	911 101 902 60	set of crankshaft bearings oversize outer 0,25 MM comprising: 75 M 615 0306 >> M 615 9067 >> M 635 0095 >> M 635 9041 >> M 645 0389 >> M 645 9031 >> M 655 0023 >> M 655 9022 >> M 665 0114 >>		1		>>>	911 101 902 75	set of crankshaft bearings oversize outer 0,25 MM inner 0,50 MM comprising: 75 M 615 0306 >> M 615 9067 >> M 635 0095 >> M 635 9041 >> M 645 0389 >> M 645 9031 >> M 655 0023 >> M 655 9022 >> M 665 0114 >>		1	
(23)	901 101 131 60	bearing shell I		2		(23)	901 101 131 75	bearing shell I		2	
(24)	911 101 133 60	bearing shell II - VII		12		(24)	911 101 133 75	bearing shell II - VII		12	
(25)	901 101 138 63	bearing sleeve VIII		1		(25)	901 101 138 78	bearing sleeve VIII		1	

Model	Year	MG	SG	Illustration	Restrictions	Update	9:56	21.08.2006	PORSCHE	PET	PORSCHE
911t	77	1	02	102-00		203					

Pos	Part Number	Name	Remarks	Qty	Model	Pos	Part Number	Name	Remarks	Qty	Model
>>>	911 101 902 85	set of crankshaft bearings oversize outer 0,25 MM inner 0,75 MM comprising: 75 M 615 0306 >> M 615 9067 >> M 635 0095 >> M 635 9041 >> M 645 0389 >> M 645 9031 >> M 655 0023 >> M 655 9022 >> M 665 0114 >>		1							
(23)	901 101 131 85	bearing shell I		2							
(24)	911 101 133 85	bearing shell II - VII		12							
(25)	901 101 138 88	bearing sleeve VIII		1							
26	900 012 061 00	straight pin 5H 8 X 10		1							
27	* 900 174 041 40	sealing ring		1							
28	* 999 113 049 52	radial sealing ring 30 X 50 X 10		1							
(28)	999 113 291 40	sealing ring 29,5 X 50 X 10 oversize		1							
		- - - E N D - - -									

Model	Year	MG	SG	Illustration	Restrictions	Update	9:56	21.08.2006	PORSCHE	PET	PORSCHE
911t	77	1	03	103-00		203					

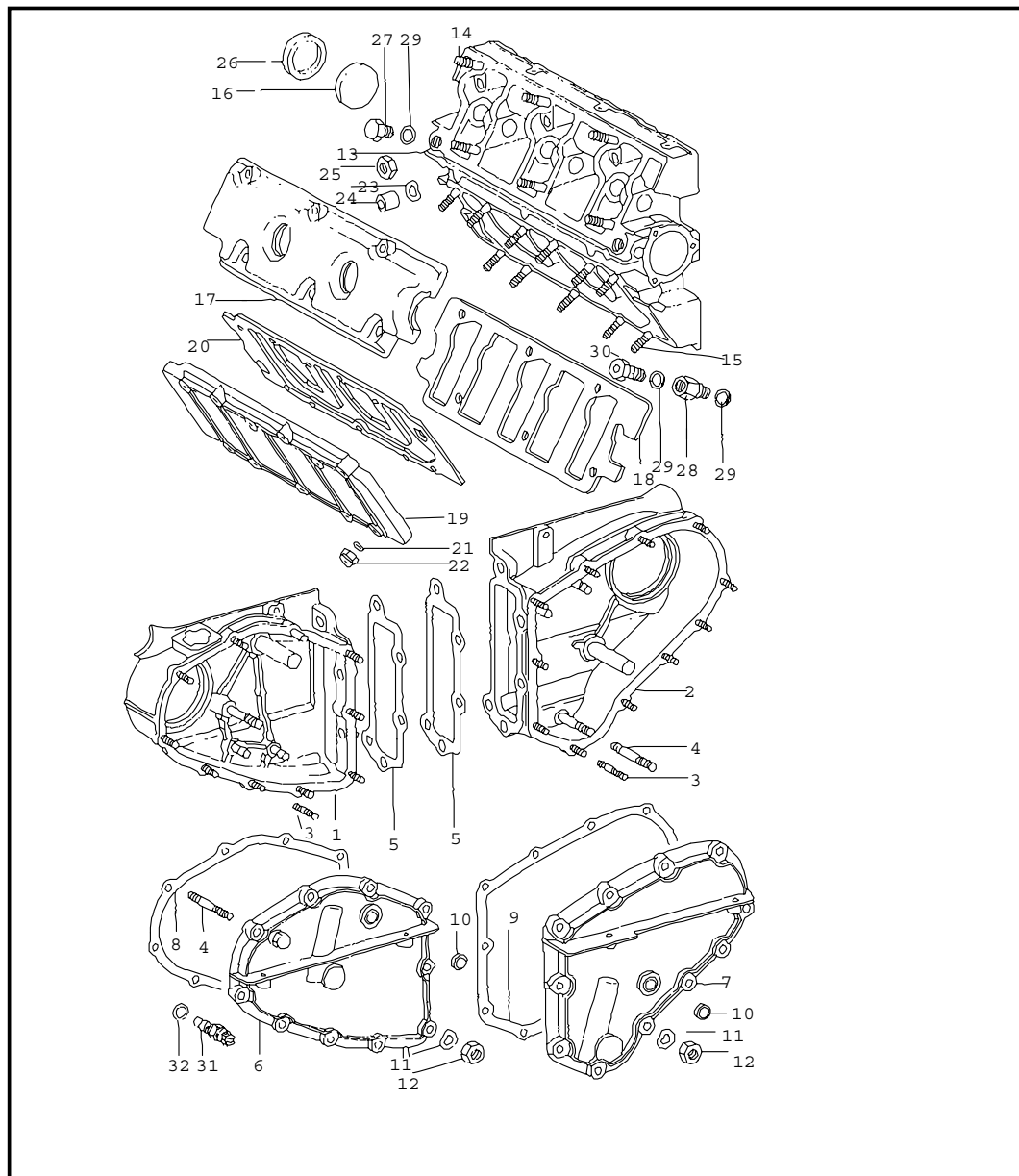


Pos	Part Number	Name	Remarks	Qty	Model
		cylinder head			
		cylinder with pistons			
1	930 104 043 06	cylinder head with studs without valves for 930/51/52/53/54		6	
(1)	930 104 023 06	cylinder head with studs with valves ready for installation for 930/51/52/53/54		6	
2	930 104 321 50	valve guide 1st oversize		12	
(2)	901 104 321 61	valve guide 2nd oversize		12	
3	930 104 331 50	valve seat ring intake oversize		6	
4	930 104 335 50	valve seat ring exhaust oversize		6	
5	999 062 006 02	stud BM 8 X 20		12	
5	999 062 010 02	stud BM 8 X 35		12	
(6)	999 062 178 02	stud BM 8 X 120		12	
7	900 061 012 02	stud BM 8 X 50		24	
8	999 012 006 00	straight pin		12	
9	964 105 409 06	intake valve		6	
10	930 105 419 50	exhaust valve		6	
11	930 105 461 00	washer		X	
12	901 105 463 00	ring		12	
13+14	901 105 901 50	set of valve springs		12	
15	901 105 421 03	concave washer		12	
16	901 105 417 00	collet		24	

Model	Year	MG	SG	Illustration	Restrictions	Update	9:56	21.08.2006	PORSCHE	PET	PORSCHE
911t	77	1	03	103-00		203					

Pos	Part Number	Name	Remarks	Qty	Model	Pos	Part Number	Name	Remarks	Qty	Model
17	999 031 083 01	washer		24							
18	901 104 382 02	cylinder head nut		24							
19	* 911 104 193 00	valve stem seal		12							
(20)	930 103 958 01	cylinder and piston group 5 - mahle -		6							
(20)	930 103 958 02	cylinder and piston group 6 - mahle -		6							
(21)	* 930 103 959 00	set of piston rings		6							
(22)	930 103 373 00	piston pin		6							
23	N 012 278 1	snap ring F. ST C 22		12							
(24)	* 930 104 194 02	gasket		6							
(24)	930 104 194 01	cylinder base gasket 0,50 MM		6							
(25)	* 930 104 317 00	ce-seal ring		6							
		- - - E N D - - -									

Model	Year	MG	SG	Illustration	Restrictions	Update	9:56	21.08.2006	PORSCHE	PET	PORSCHE
911t	77	1	03	103-05		203					

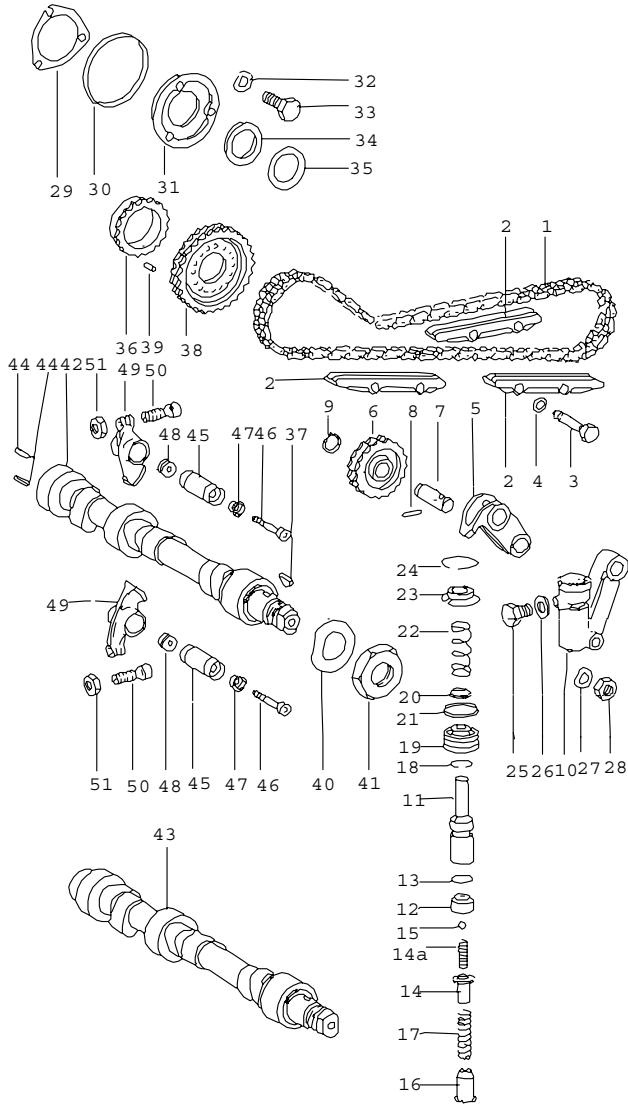


Pos	Part Number	Name	Remarks	Qty	Model
		chain case			
		camshaft housing			
1	930 105 061 02	chain case	/L	1	
2	930 105 062 01	chain case	/R	1	
-	999 062 046 02	stud BM 8 X 65	75-	2	
-	999 062 052 02	stud BM 8 X 42	75-	2	
3	999 062 102 02	stud BM 6 X 22		21	
4	900 061 012 02	stud BM 8 X 50	/R	1	
4	900 061 209 02	stud BM 8 X 60	/L	1	
5	* 930 105 193 00	gasket		2	
(6)	930 105 063 01	cover	/L	1	
7	930 105 064 00	cover	/R	1	
8	* 930 105 191 03	gasket	/L	1	
9	* 930 105 192 01	gasket	/R	1	
10	900 036 008 02	cover 15		2	
11	* 900 031 011 30	washer 6,4 X 11 AL		21	
11	900 151 035 30	washer B 6,4 X 18 AL		2	
-	* 900 031 014 30	washer 8,4		2	
12	900 084 010 02	hexagon nut M 6		21	
-	900 076 025 02	hexagon nut M 8		2	
(13)	930 105 021 00	camshaft housing		2	
-	930 105 362 00	oil splash tube		2	
-	901 105 379 00	plug		4	
14	999 062 009 02	stud BM 8 X 28		12	

Model	Year	MG	SG	Illustration	Restrictions	Update	9:56	21.08.2006	PORSCHE	PET	PORSCHE
911t	77	1	03	103-05		203					

Pos	Part Number	Name	Remarks	Qty	Model	Pos	Part Number	Name	Remarks	Qty	Model
15	999 062 010 02	stud BM 8 X 35		22							
(16)	930 105 161 00	cover		2							
17	901 105 115 03	cover for camshaft housing		2							
18	* 930 105 194 00	gasket for camshaft housing		2							
19	930 105 116 00	cover for camshaft housing		2							
20	* 930 105 195 00	gasket for camshaft housing		2							
21	* 900 031 014 30	washer 8,4		40							
22	900 084 004 02	hexagon nut M 8		40							
23	N 012 241 8	spring washer B 8 X 15		40							
24	901 111 271 00	nut		6							
25	900 076 025 02	hexagon nut M 8		34							
27	901 105 374 00	screw plug		2							
28	901 105 361 01	intermediate piece		2							
29	* 900 123 005 00	sealing ring A 12 X 16		8							
30	900 134 006 02	banjo bolt A 6		2							
31	911 617 117 00	temperature switch		1							
32	* 900 123 007 70	sealing ring A 14 X 18		1							
		- - - E N D - - -									

Model	Year	MG	SG	Illustration	Restrictions	Update	9:56	21.08.2006	PORSCHE	PET	PORSCHE
911t	77	1	03	103-10		203					

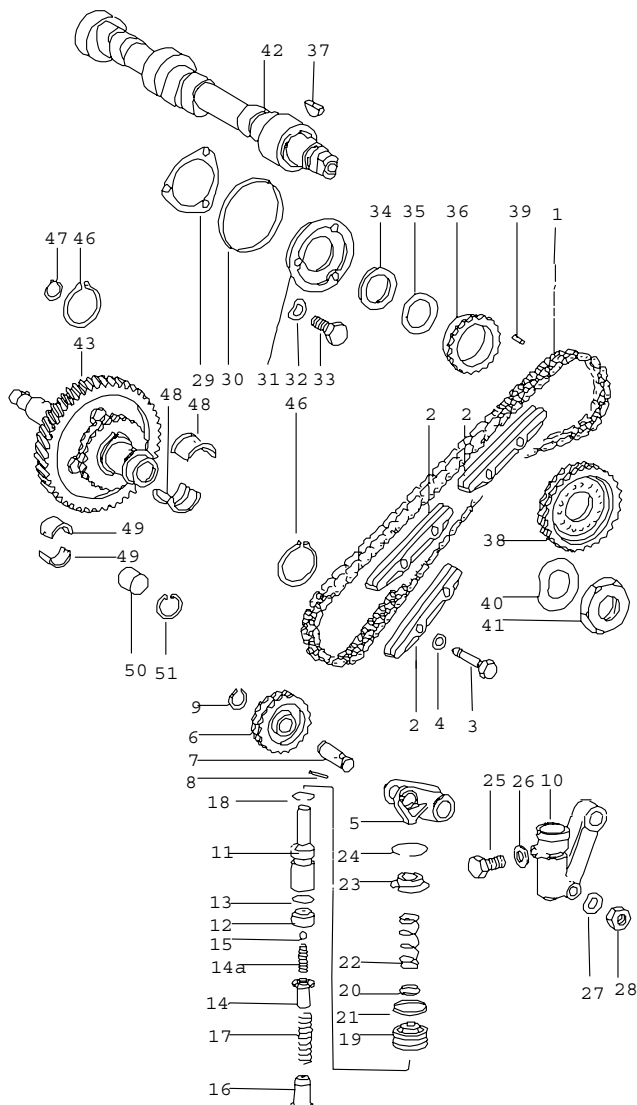


Pos	Part Number	Name	Remarks	Qty	Model
1	901 105 529 00	valve control left		1	
(1)	911 105 529 50	timing chain with connecting link		1	
-	901 105 530 00	connecting link for 901.105.529.50		1	
2	911 105 222 06	guide piece		3	
3	901 105 226 03	bolt		4	
4 *	900 123 066 30	sealing ring A 10 X 16		4	
5	901 105 505 02	chain wheel support		1	
6	901 105 055 00	sprocket		1	
7	901 105 056 01	bolt complete		1	
8	900 197 010 00	tensioning sleeve 3 X 22		1	
9	N 012 415 1	circlip 15 X 1		1	
10-26	930 105 049 00	chain adjuster complete		1	
10	901 105 050 01	housing		1	
11	930 105 559 00	piston		1	
12 *	-	intermediate piece		1	
13 *	-	o-ring CR 10 - 1		1	
14 *	-	sleeve for valve		1	
14A *	-	compression spring		1	
15 *	-	ball		1	
16 *	-	spring guide		1	
17	916 105 534 00	compression spring		1	

Model	Year	MG	SG	Illustration	Restrictions	Update	9:56	21.08.2006	PORSCHE	PET	PORSCHE
911t	77	1	03	103-10		203					

Pos	Part Number	Name	Remarks	Qty	Model	Pos	Part Number	Name	Remarks	Qty	Model
18	*	-	snap ring 16	1		40	900 028 021 01	spring washer B 30		1	
19	930 105 557 00	piston		1		41	901 105 172 00	nut		1	
20	*	-	o-ring CR 8,3 - 2,4	1		(43)	930 105 141 00	camshaft		1	
21	*	-	o-ring CR 20,3 - 2,4	1		45	901 105 342 04	rocker shaft		12	
22	930 105 535 01	compression spring		1		46	999 067 008 00	pan-head screw		12	
23	930 105 568 00	concave washer		1		47	901 105 344 02	bush		12	
24	*	-	snap ring 28	1		48	901 105 376 02	nut		12	
25	930 105 573 00	bleeder screw		1		49	930 105 043 00	rocker arm		12	
26	*	-	sealing ring 6 X 10	1		50	901 105 370 02	adjusting screw		12	
27	N	012 241 8	spring washer B 8 X 15	1		51	999 034 005 00	hexagon nut		12	
28	900 076 025 02	hexagon nut M 8		1				- - - E N D - - -			
29	* 930 105 197 05	gasket		1							
30	* 999 701 468 40	round seal 67,5 X 75,4 X4		1							
31	930 105 196 00	cover		1							
32	N	012 226 5	spring washer B 6	3							
33	900 075 017 02	hexagon-head bolt M 6 X 25		3							
34	901 105 562 00	thrust washer		1							
35	901 105 561 00	shim		X							
36	901 105 583 01	flange		1							
37	900 118 005 00	woodruff key 4 X 5		1							
38	901 105 546 02	sprocket II		1							
39	900 243 001 00	straight pin 6 H 8 X 14		1							

Model	Year	MG	SG	Illustration	Restrictions	Update	9:57	21.08.2006	PORSCHE	PET	PORSCHE
911t	77	1	03	103-15		203					

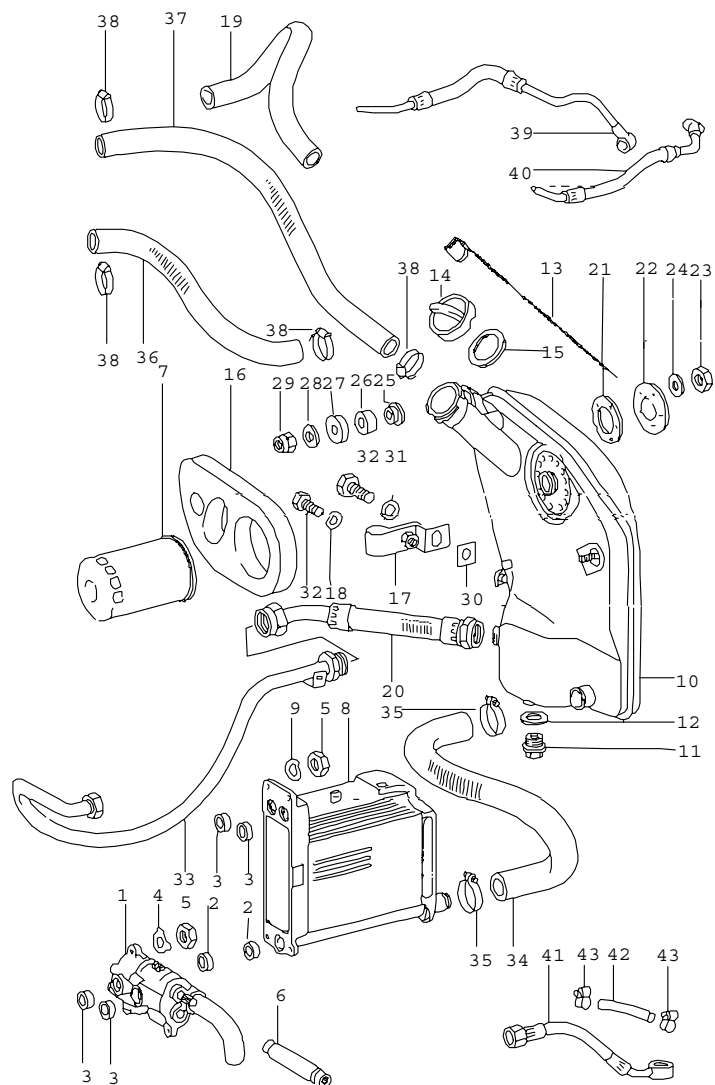


Pos	Part Number	Name	Remarks	Qty	Model
1	901 105 529 00	valve control right		1	
(1)	911 105 529 50	timing chain with connecting link		1	
-	901 105 530 00	connecting link for 901.105.529.50		1	
2	911 105 222 05	guide piece		1	
2	911 105 222 06	guide piece		2	
3	901 105 226 03	bolt		4	
4	* 900 123 066 30	sealing ring A 10 X 16		4	
5	901 105 506 02	chain wheel support		1	
6	901 105 055 00	sprocket		1	
7	901 105 056 01	bolt complete		1	
8	900 197 010 00	tensioning sleeve 3 X 22		1	
9	N 012 415 1	circlip 15 X 1		1	
0-26	930 105 049 00	chain adjuster complete		1	
10	901 105 050 01	housing		1	
11	930 105 559 00	piston		1	
12	* -	intermediate piece		1	
13	* -	o-ring CR 10 - 1		1	
14	* -	sleeve for valve		1	
14A	* -	compression spring		1	
15	* -	ball		1	
16	* -	spring guide		1	
17	916 105 534 00	compression spring		1	

Model	Year	MG	SG	Illustration	Restrictions	Update	9:57	21.08.2006	PORSCHE	PET	PORSCHE
911t	77	1	03	103-15		203					

Pos	Part Number	Name	Remarks	Qty	Model	Pos	Part Number	Name	Remarks	Qty	Model
18	*	-	snap ring 16	1		40	900 028 021 01	spring washer B 30		1	
19	930 105 557 00	piston		1		41	901 105 172 00	nut		1	
20	*	-	o-ring CR 8,3 - 2,4	1		(42)	930 105 142 00	camshaft		1	
21	*	-	o-ring CR 20,3 - 2,4	1		43	930 105 013 01	intermediate shaft size 0		1	
22	930 105 535 01	compression spring		1		(43)	930 105 013 11	intermediate shaft size 1		1	
23	930 105 568 00	concave washer		1		46	900 041 025 01	circlip 36 X 1,75		2	
24	*	-	snap ring 28	1		47	900 041 026 01	circlip 13 X 1		1	
25	930 105 573 00	bleeder screw		1		48	916 101 137 00	thrust bearing		2	
26	*	-	sealing ring A 6,5 X 9,5	1		49	901 101 135 00	bearing		2	
27	N	012 241 8	spring washer B 8 X 15	1		50	901 105 275 00	plug		1	
28	900 076 025 02	hexagon nut M 8		1		51	N 012 296 1	circlip 16 X 1		1	
29	*	930 105 197 05	gasket	1				- - - E N D - - -			
30	*	999 701 468 40	round seal 67,5 X 75,4 X 4	1							
31	930 105 196 00	cover		1							
32	N	012 226 5	spring washer B 6	3							
33	900 075 017 02	hexagon-head bolt M 6 X 25		3							
34	901 105 562 00	thrust washer		1							
35	901 105 561 00	shim		X							
36	901 105 583 01	flange		1							
37	900 118 005 00	woodruff key 4 X 5		1							
38	901 105 546 02	sprocket II		1							
39	900 243 001 00	straight pin 6 H 8 X 14		1							

Model	Year	MG	SG	Illustration	Restrictions	Update	9:57	21.08.2006	PORSCHE	PET	PORSCHE
911t	77	1	04	104-00		203					

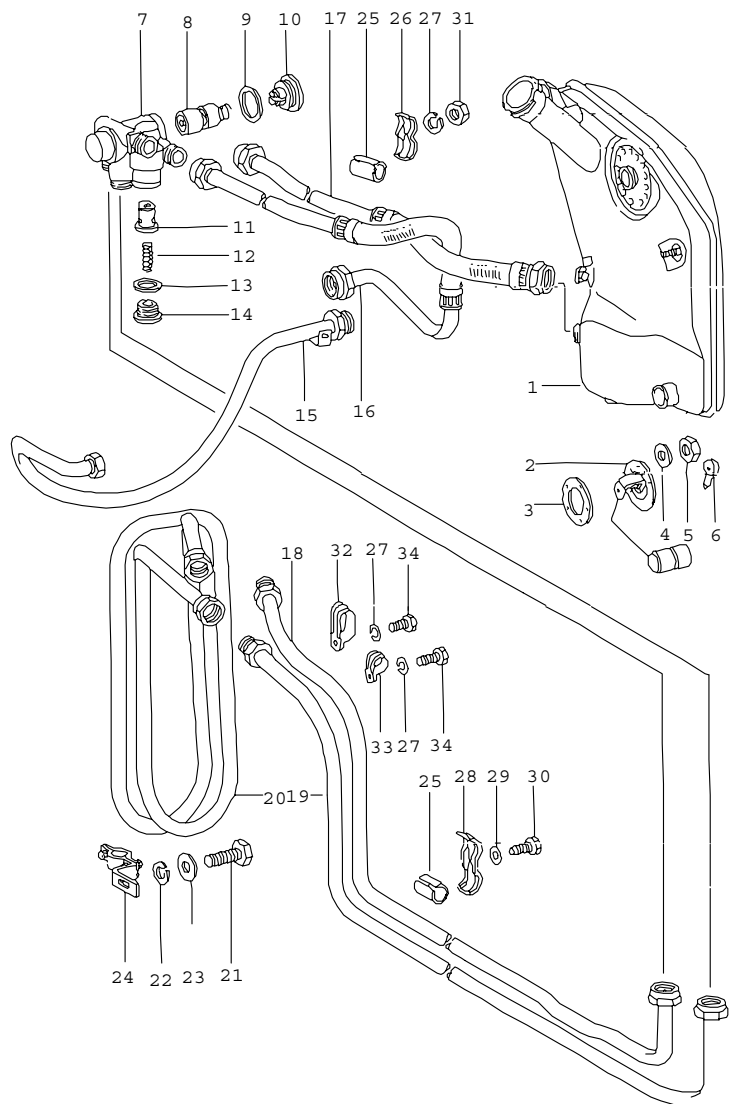


Pos	Part Number	Name	Remarks	Qty	Model
		engine lubrication			
(1)	911 107 008 01	oil pump	76-	1	
2	* 999 704 173 50	sealing ring		2	
3	* 999 704 172 50	sealing ring		4	
4	999 039 001 00	tab washer		3	
5	900 076 025 02	hexagon nut M 8		7	
6	901 107 121 00	connecting shaft		1	
7	911 107 764 00	oil filter		1	
8	> 911 107 041 00	oil cooler		1	
9	N 012 241 8	spring washer B 8 X 15		4	
10	930 107 006 00	oil tank		1	
-	900 104 015 02	union nut		1	
-	930 107 601 00	bush		1	
11	911 107 176 03	screw plug		1	
12	* 900 123 011 20	sealing ring A 22 X 27		1	
13	930 107 731 00	oil level dipstick		1	
14	911 107 072 00	fuel tank cap		1	
15	901 201 272 00	sealing ring		1	
16	911 107 192 03	gasket		1	
17	901 501 930 22	support		1	
18	900 028 003 01	spring washer A 6		1	
19	930 107 395 00	connecting hose oil tank air cleaner		1	
21	914 201 891 00	gasket		1	
23	900 076 027 02	hexagon nut M 5		5	
24	900 025 003 30	washer 5,3		5	

Model	Year	MG	SG	Illustration	Restrictions	Update					
911t	77	1	04	104-00		203	9:57	21.08.2006	PORSCHE	PET	PORSCHE

Pos	Part Number	Name	Remarks	Qty	Model	Pos	Part Number	Name	Remarks	Qty	Model
25	901 107 692 00	washer		2							
26	901 107 693 01	washer		2							
27	901 107 661 00	washer		2							
28	900 151 008 02	washer B 8,4		2							
29	999 090 004 02	hexagon nut M 8		2							
30	901 501 909 20	intermediate layer		1							
31	N 011 524 7	washer 6,4		1							
32	900 075 057 02	hexagon-head bolt M 6 X 16		2							
32	900 075 010 02	hexagon-head bolt M 6 X 12	75-	2							
(33)	911 107 744 10	oil pipe	(CAL) 75-	1							
(34)	911 107 233 00	suction hose		1							
35	999 512 091 00	hose clamp S 40/15 SKZ-1 4571		2							
(36)	901 107 394 01	connecting hose engine oil tank 800 MM		1	930/53/54						
36	930 107 394 05	connecting hose engine oil tank 925 MM together with 930.110.020.00		1							
38	999 512 356 02	hose clamp (22 X 36) X 9		4							
39	901 107 347 01	oil hose	/L	1							
40	901 107 348 00	breather hose	/R	1							
		- - - E N D - - -									

Model	Year	MG	SG	Illustration	Restrictions	Update	9:57	21.08.2006	PORSCHE	PET	PORSCHE
911t	77	1	04	104-05		203					

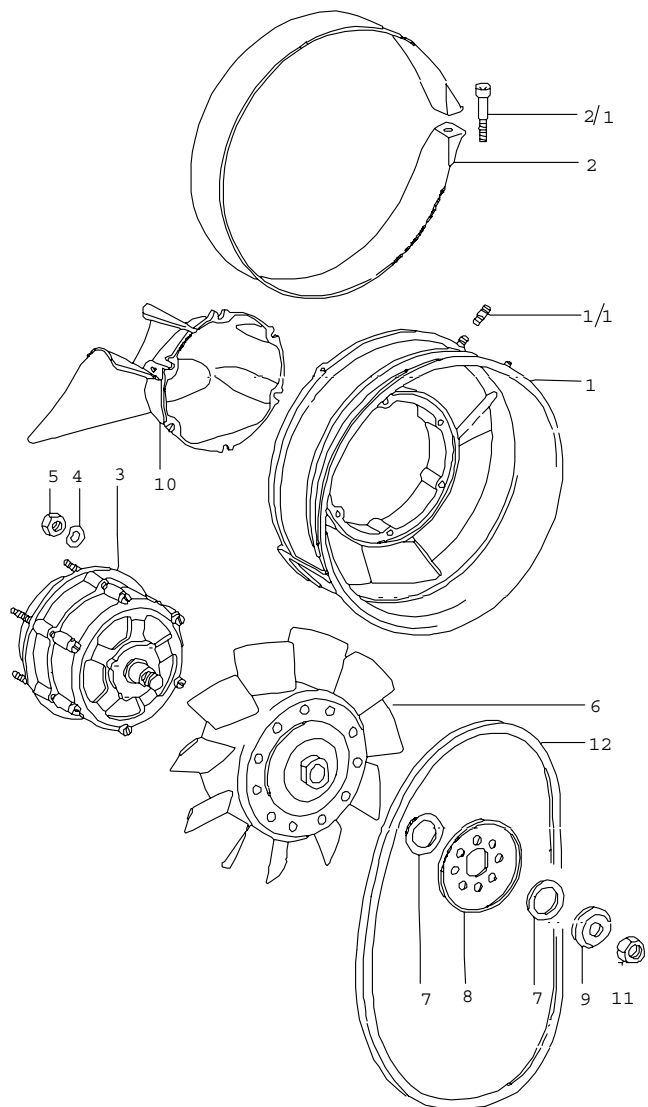


Pos	Part Number	Name	Remarks	Qty	Model
1	-	engine lubrication radiator coil		1	
		oil tank see group 1/04/00		1	
(2)	911 641 541 01	tank gauge		1	
3	914 201 891 00	gasket		1	
4	900 025 003 30	washer 5,3		5	
5	900 076 027 02	hexagon nut M 5		5	
(6)	999 659 011 50	protection cap		1	
7	930 107 017 00	regulator housing		1	
8	930 107 155 00	regulator insert		1	
9	900 123 136 30	sealing ring A 42 X 49		1	
10	911 107 155 00	screw plug		1	
11	930 107 076 00	piston		1	
12	900 280 008 00	compression spring 2 X 10 X 55		1	
13	900 123 075 30	sealing ring A 32 X 38		1	
14	916 107 276 00	screw plug		1	
(15)	911 107 744 10	oil pipe	(CAL) 75-	1	
(16)	911 107 743 10	oil pipe	75-	1	
17	911 107 730 11	oil pipe		1	
18	911 207 046 00	return pipe		1	
19	930 207 045 01	intake tube		1	
20	911 207 050 01	radiator coil		1	
21	900 075 085 02	hexagon-head bolt M 8 X 20		1	
22	900 025 007 02	washer 8,4		1	
23	900 027 015 02	lock ring B 8		1	

Model	Year	MG	SG	Illustration	Restrictions	Update	9:57	21.08.2006	PORSCHE	PET	PORSCHE
911t	77	1	04	104-05		203					

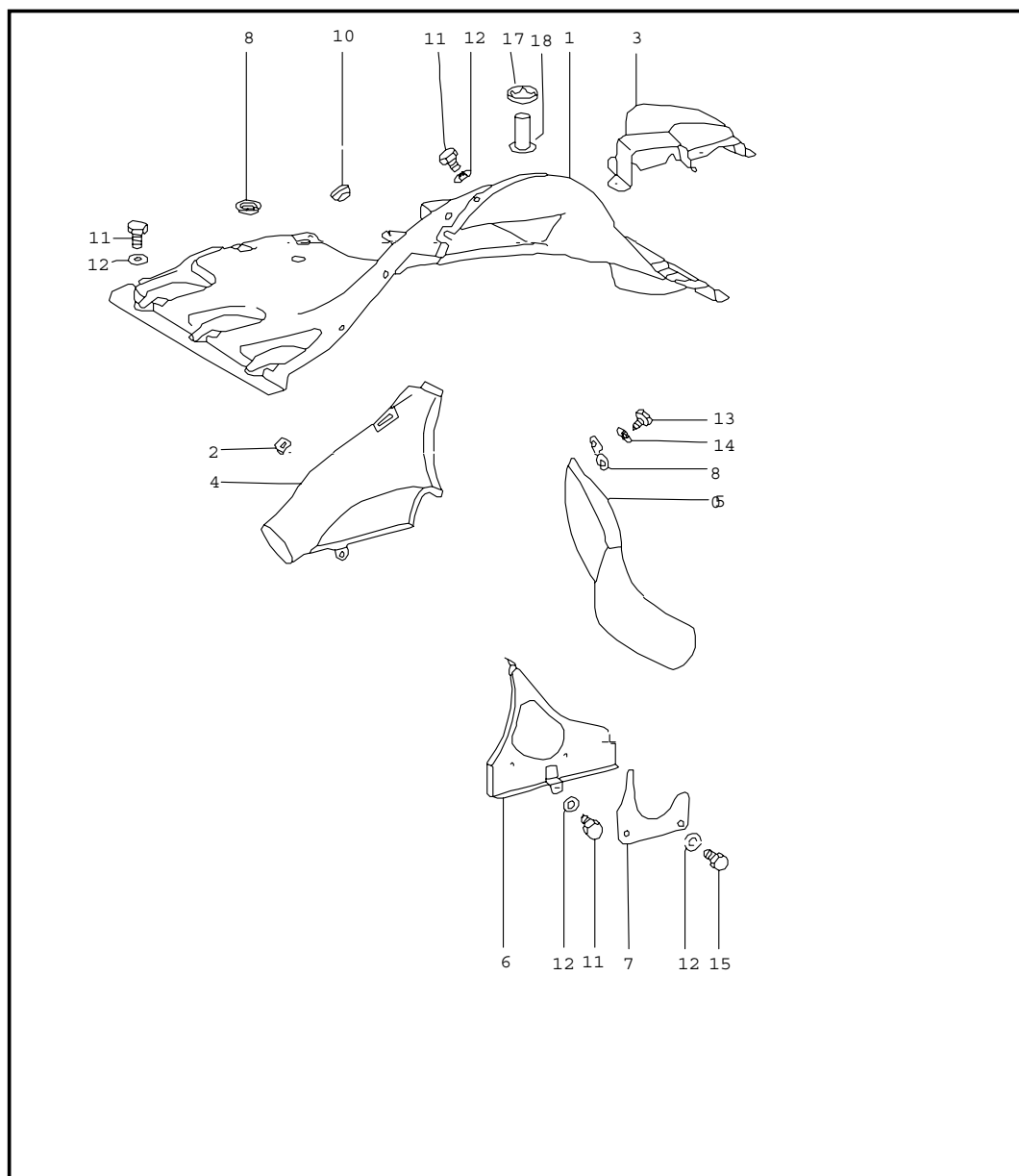
Pos	Part Number	Name	Remarks	Qty	Model	Pos	Part Number	Name	Remarks	Qty	Model
24	911 207 051 00	clip		1							
25	964 207 302 00	hose piece		8							
26	911 207 237 00	support		1							
27	900 027 014 01	lock ring B 6		4							
28	911 207 303 00	support		3							
-	911 559 145 01	spacer sleeve		3							
29	900 151 007 02	washer B 7,4		3							
30	900 187 032 02	tapping screw BZ 6,3 X 32		3							
31	900 076 010 02	hexagon nut M 6		1							
32	999 511 084 02	clip 1100 2 X 22/15		1							
33	999 511 080 02	clamp 1100 22/15		2							
34	900 378 030 09	hexagon-head bolt M 6 X 20		3							
		- - - E N D - - -									

Model	Year	MG	SG	Illustration	Restrictions	Update	9:57	21.08.2006	PORSCHE	PET	PORSCHE
911t	77	1	05	105-00		203					



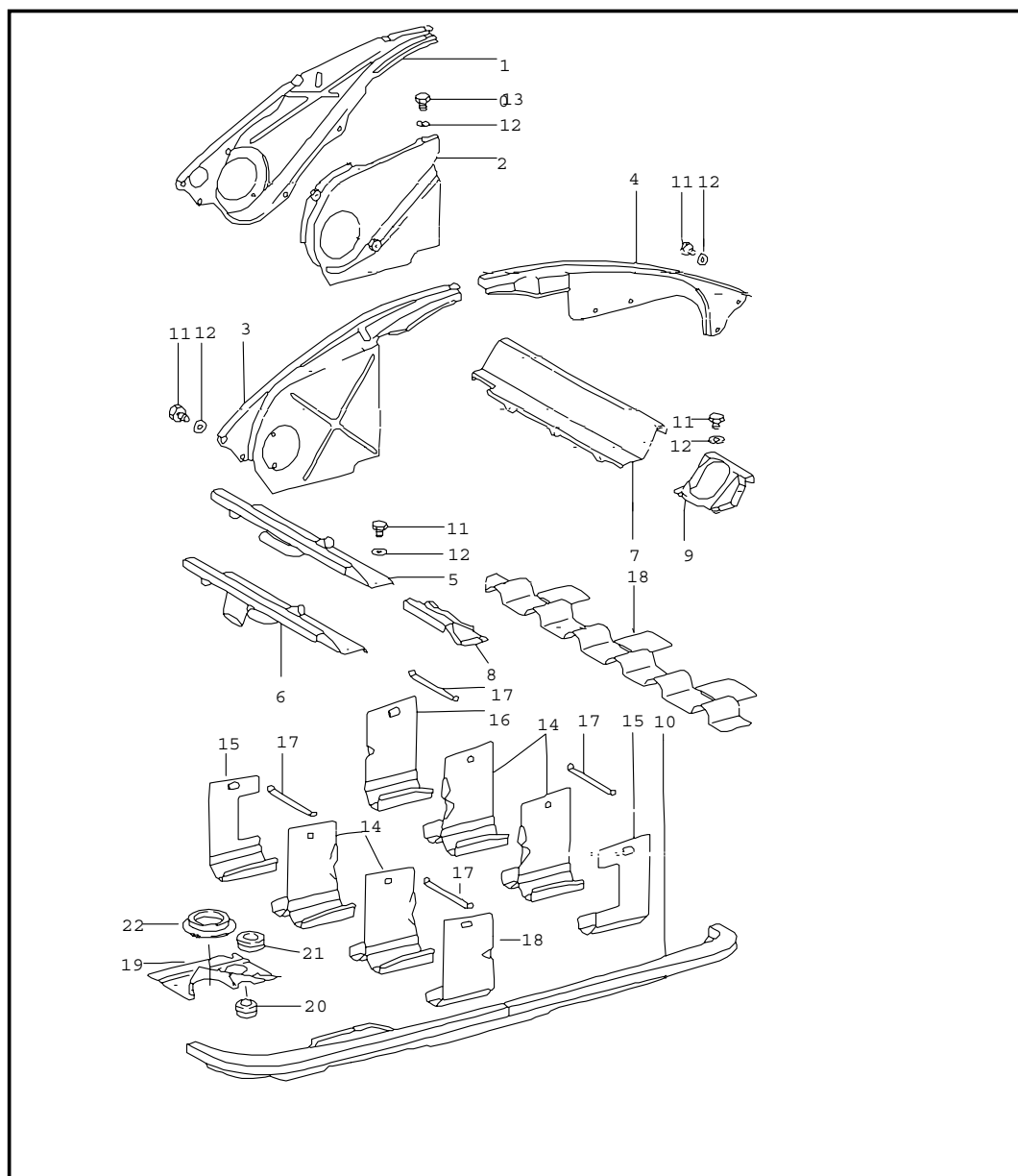
Pos	Part Number	Name	Remarks	Qty	Model
(1)	911 106 008 00	air cooling fan housing complete	75-	1	
1/1	999 062 006 02	stud BM 8 X 20		2	
2	964 106 251 20	clip		1	
2/1	N 014 715 3	pan-head screw M 8 X 45		1	
3	-	generator see group 9/02/10			
4	N 012 226 5	spring washer B 6		6	
5	900 076 010 02	hexagon nut M 6		6	
-	900 118 006 00	woodruff key 4 X 6,5		1	
6	930 106 012 00	impeller		1	
7	930 106 564 00	shim		X	
(8)	930 106 209 02	pulley half		1	
9	901 603 428 00	tensioning cap for generator (MOTOROLA, MARCHAL SEV, ALTERNATEURS) not for	(CAL)	1	
10	911 106 033 03	hub extension for generator 980 W	75-	1	
(10)	911 106 033 00	hub extension		1	
11	901 603 905 00	hexagon nut M 16 X 1		1	
12	999 192 097 50	narrow v-belt 9,5 X 725	76-	1	
- - - E N D - - -					

Model	Year	MG	SG	Illustration	Restrictions	Update	9:58	21.08.2006	PORSCHE	PET	PORSCHE
911t	77	1	05	105-05		203					



Pos	Part Number	Name	Remarks	Qty	Model
		air duct			
(1)	930 106 041 12	air duct red		1	
-	911 106 310 00	sleeve		1	
-	999 591 315 02	clip		1	
2	999 507 003 02	speed nut B 6,3		5	
3	911 106 406 00	air duct		1	
(4)	930 106 321 01	hot air socket	/H/L	1	
-	N 020 902 1	tie-wrap 6,4 X 120		1	
5	911 106 327 00	hot air socket	/H/R	1	
6	911 106 036 00	cover plate		1	
7	911 106 827 00	closing plate	/H/R	1	
8	911 106 331 00	support		1	
11	900 075 010 02	hexagon-head bolt M 6 X 12		18	
(11)	900 075 057 02	hexagon-head bolt M 6 X 16		2	
-	N 012 226 5	spring washer B 6		8	
12	N 011 524 7	washer 6,4		8	
12	999 025 108 02	washer 6,4 X 14		13	
-	999 511 081 02	clip		1	
13	900 187 015 02	tapping screw B 6,3 X 16		4	
14	999 025 108 02	washer 6,4 X 14 X 1,5 - ST.		2	
15	900 187 027 02	hexagon-head tapping screw BZ 6,3 X 22		1	
16	911 106 415 01	pipe		1	
17	999 591 369 02	locking washer		1	
- - - E N D - - -					

Model	Year	MG	SG	Illustration	Restrictions	Update	9:58	21.08.2006	PORSCHE	PET	PORSCHE
911t	77	1	05	105-10		203					

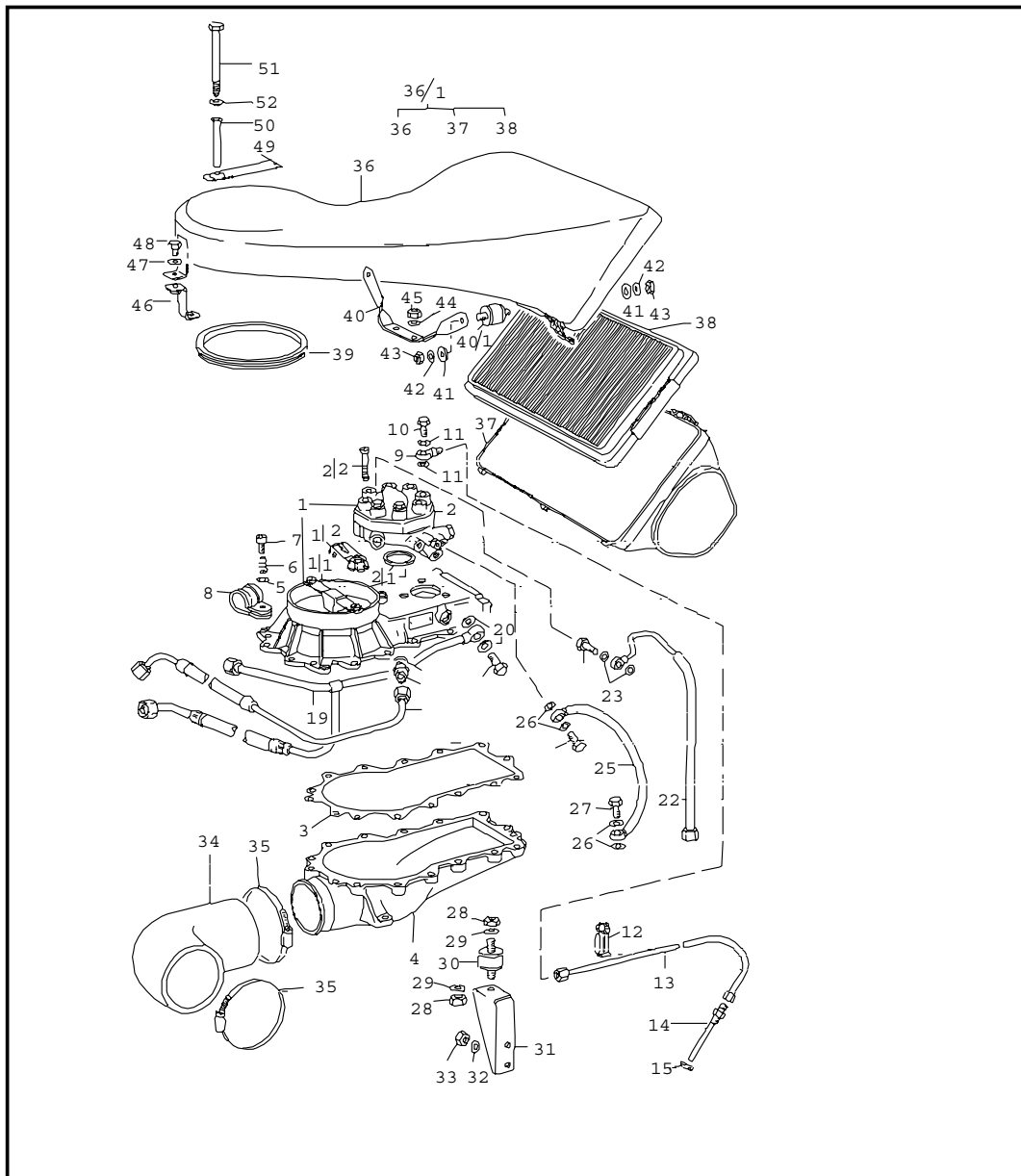


Pos	Part Number	Name	Remarks	Qty	Model
		air duct engine cover			
(1) A	930 106 804 01	engine cover i	/L	1	930/51/52
(1)	930 106 804 01	engine cover i	/L	1	
(2)	901 106 071 00	engine cover ii	/L	1	
(3)	930 106 083 00	engine cover	/L	1	
4	911 106 802 00	engine cover	/R	1	
(6)	930 106 703 00	engine cover for 930/51/52/53/54	/L	1	
7	901 106 084 00	engine cover not for	/R 75- (CAL)	1	
8	901 106 825 00	cover	/L 75-	1	
9	901 106 826 00	cover	/R	1	
10	930 106 851 00	engine cover		1	
10	930 106 851 03	engine cover air conditioner		1	
11	900 075 010 02	hexagon-head bolt M 6 X 12		39	
-	N 012 226 5	spring washer B 6		39	
12	N 011 524 7	washer 6,4		41	
13	N 010 208 5	hexagon-head bolt M 6 X 8		2	
(14)	930 106 023 00	baffle plate		4	
(15)	930 106 221 00	baffle plate	/V/L/H/R	2	
(16)	930 106 222 00	baffle plate	/V/R/H/L	2	
17	930 106 228 00	leaf spring		6	
18	930 106 301 00	cover plate		2	
19	930 106 852 01	cover		1	
20	930 106 175 00	rubber sleeve 21,5 \$		2	
21	930 106 176 00	rubber sleeve 34 \$		1	

Model	Year	MG	SG	Illustration	Restrictions	Update					
911t	77	1	05	105-10		203	9:58	21.08.2006	PORSCHE	PET	PORSCHE

Pos	Part Number	Name	Remarks	Qty	Model	Pos	Part Number	Name	Remarks	Qty	Model
22	930 106 191 00	rubber boot		1							
		- - - E N D - - -									

Model	Year	MG	SG	Illustration	Restrictions	Update	9:58	21.08.2006	PORSCHE	PET	PORSCHE
911t	77	1	07	107-00		203					



Pos	Part Number	Name	Remarks	Qty	Model
		mixture control unit air cleaner			
(1)	930 110 115 02	mixture control unit		1	
1/1	930 110 803 00	mass air flow		1	
1/2	911 110 929 00	safety contact		1	
2	> 930 110 804 00	fuel distributor for 930/51/52/53/54		1	
2/1	911 110 936 01	gasket		1	
2/2	900 146 045 02	oval-head screw AM 5 X 45		3	
3	930 110 394 00	gasket		1	
4	930 110 035 04	lower part mixture control unit		1	
5	N 012 226 5	spring washer B 6		15	
6	911 110 364 00	compression spring		11	
7	900 067 011 02	pan-head screw M 6 X 20		4	
7	900 067 089 02	pan-head screw M 6 X 25		10	
7	900 075 017 02	hexagon-head bolt M 6 X V25		1	
9	999 215 002 02	ring piece		6	
10	930 110 547 00	banjo bolt		6	
11	* 900 123 033 20	sealing ring A 10 X 13,5		12	
12	930 110 606 01	clip 2 lines		1	
12	930 110 607 01	clip 3 lines		2	
(13)	930 110 041 01	injection line cylinder 1		1	
(13)	930 110 042 01	injection line cylinder 2		1	

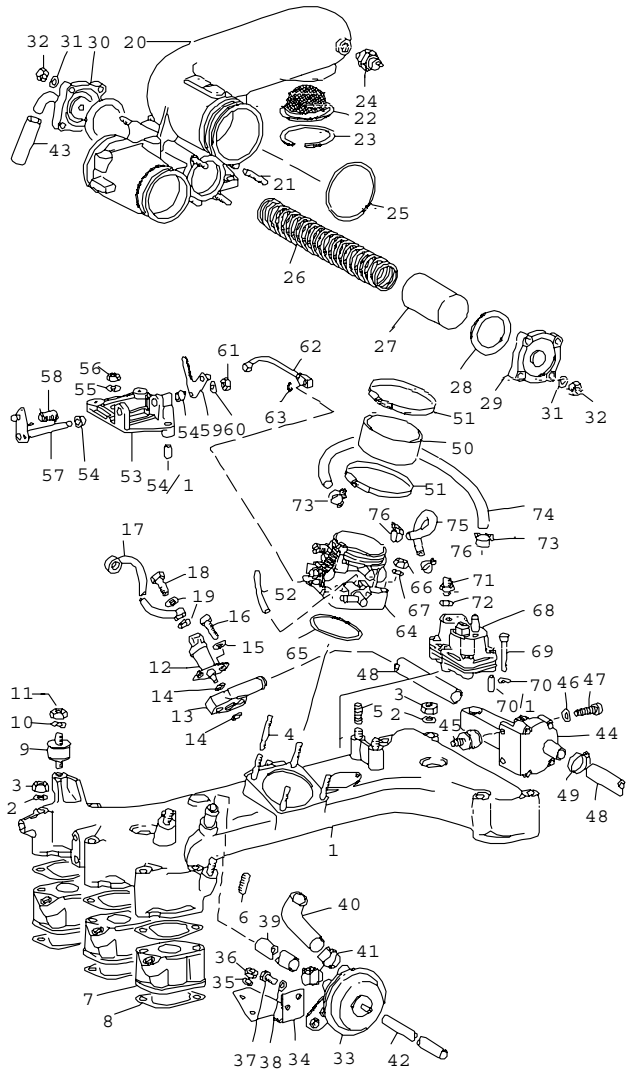
Model	Year	MG	SG	Illustration	Restrictions	Update	9:58	21.08.2006	PORSCHE	PET	PORSCHE
911t	77	1	07	107-00		203					

Pos	Part Number	Name	Remarks	Qty	Model	Pos	Part Number	Name	Remarks	Qty	Model
(13)	930 110 043 01	injection line cyl. 3		1		31	930 110 133 00	retaining bracket		1	
(13)	930 110 044 01	injection line cyl. 4		1		32	N 012 241 8	spring washer B 8		2	
(13)	930 110 045 02	injection line cylinder 5		1		33	900 076 025 02	hexagon nut M 8		2	
(13)	930 110 046 02	injection line cyl. 6		1		34	930 110 137 02	hose elbow		1	
14	930 110 225 02	injector valve		6		35	999 512 350 02	hose clamp		2	
15	* 900 123 033 20	sealing ring A 10 X 13,5		6		36/1	930 110 020 00	air cleaner housing metal		1	
16	930 110 301 04	fuel line		1		-	930 110 426 00	hexagon nut		3	
17	N 020 704 2	connection piece		1		38	930 110 185 02	air cleaner cartridge		1	
18	* N 013 812 2	sealing ring A 12 X 15,5		1		39	930 110 122 00	sealing ring		1	
19	930 110 304 01	fuel line		1		40	930 110 143 02	support		1	
-	999 511 085 02	clamp		1		40/1	911 110 154 00	bonded rubber buffer		2	
-	900 075 057 02	hexagon-head bolt M8 X 16		1		41	900 025 007 02	washer 8,4		4	
-	N 012 226 5	spring washer		1		42	N 012 241 8	spring washer B 8		4	
20	900 123 006 25	sealing ring A 12 X 18		2		43	900 076 025 02	hexagon nut M 8		4	
21	900 175 020 02	banjo bolt		1		44	N 012 241 8	spring washer B 8		2	
22	930 110 302 00	fuel line		1		45	900 076 025 02	hexagon nut M 8		2	
23	* 900 123 050 20	sealing ring A 8 X 11,5		2		-	930 110 434 01	clip fuel supply line fuel return line		1	
24	911 110 899 00	banjo bolt		1		47	900 151 003 02	washer 6,4		1	
25	930 110 305 00	fuel line		1		48	900 075 010 02	hexagon-head bolt M 6 X 12		1	
26	* 900 123 050 20	sealing ring		4				mounting parts for air cleaner housing plastic material			
27	911 110 899 00	banjo bolt		2							
28	900 076 025 02	hexagon nut M 8		3							
29	N 012 241 8	spring washer B 8		3							
30	911 110 154 00	bonded rubber buffer		3		-	930 110 121 02	support ring		1	

Model	Year	MG	SG	Illustration	Restrictions	Update	9:58	21.08.2006	PORSCHE	PET	PORSCHE
911t	77	1	07	107-00		203					

Pos	Part Number	Name	Remarks	Qty	Model	Pos	Part Number	Name	Remarks	Qty	Model
49	930 110 405 00	plate		1							
50	930 110 436 00	spacer sleeve		2							
51	900 074 239 02	hexagon-head bolt M 6 X 83		2							
52	N 011 524 7	washer		2							
		mounting parts for air cleaner housing metal									
-	930 110 121 02	support ring		1							
50	930 110 436 01	spacer sleeve		2							
51	900 074 023 02	hexagon-head bolt M 6 X 75		2							
52	N 011 524 7	washer		2							
		- - - E N D - - -									

Model	Year	MG	SG	Illustration	Restrictions	Update	9:58	21.08.2006	PORSCHE	PET	PORSCHE
911t	77	1	07	107-05		203					



Pos	Part Number	Name	Remarks	Qty	Model
		K - JETRONIC			
1	930 110 031 03	intake manifold		1	
1	930 110 031 06	intake manifold		1	930/53
2	N 012 241 8	spring washer B 8		12	
3	900 076 025 02	hexagon nut M 8		12	
4	999 062 093 02	screw BM 6 X 35		4	
5	999 062 006 02	stud BM 8 X 20		2	
6	900 061 004 02	stud BM 8 X 12		3	
7	930 110 141 03	flange		6	
8	* 930 110 197 10	gasket		12	
9	911 110 154 00	bonded rubber buffer		2	
10	N 012 241 8	spring washer B 8		2	
11	900 076 025 02	hexagon nut M 8		2	
12	930 606 107 00	electric starting valve		1	
13	A 930 110 264 00	flange		1	930/51/52
13	930 110 264 10	intermediate piece start valve		1	
14	* 999 701 395 50	o-ring		1	
14	A 900 174 032 40	o-ring		1	
14	999 701 210 40	o-ring		1	
15	N 012 226 5	spring washer B 6		2	
16	900 067 013 02	pan-head screw M 6 X 35		2	
17	930 110 303 01	fuel line		1	
18	911 110 899 00	banjo bolt		2	
19	* 900 123 050 20	sealing ring		4	

Model	Year	MG	SG	Illustration	Restrictions	Update	9:58	21.08.2006	PORSCHE	PET	PORSCHE
911t	77	1	07	107-05		203					

Pos	Part Number	Name	Remarks	Qty	Model	Pos	Part Number	Name	Remarks	Qty	Model
20	930 110 015 05	valve housing	-76	1	930/51/52	35	N 012 226 5	spring washer B 6		2	
(20)	930 110 015 06	valve housing	77-	1		36	900 076 010 02	hexagon nut M 6		2	
21	999 062 127 02	stud M 6 X 25		8		37	900 075 010 02	hexagon-head bolt M 6 X 12		2	
-	999 062 001 02	stud M 6 X 10		2		38	N 012 226 5	spring washer B 6		2	
22	930 110 127 00	strainer		1		-	999 239 007 40	hose 15 X 3,5		*	
23	N 012 295 1	outer ring		1		39	-	86 MM		1	
24	930 606 101 00	switch		1		40	930 110 171 01	hose		1	
-	993 606 103 00	pressure transmitter boost pressure		1		41	999 512 237 02	hose clamp S 27/9		2	
-	900 123 009 30	sealing ring A 18 X 24		1		-	999 181 706 50	hose 5 X 11		*	
25	999 701 445 40	round seal 70 X 5		2		42	-	405 MM		1	
26	930 110 157 00	compression spring		1		-	999 181 284 50	hose 15 X 3,5		*	
-	930 110 160 00	spring guide		1		43	-	300 MM		1	
27	930 110 151 00	piston		1		44	930 606 102 00	auxiliary air regulator		1	930/51/52/54
28	930 110 149 00	gasket		2		44	930 606 102 01	auxiliary air regulator		1	930/53
29	930 110 156 06	cover		1	930/50	45	999 703 127 50	bonded rubber buffer		2	
29	930 110 156 06	cover for 930/51/52/53/54		1		46	N 012 226 5	spring washer A 6		2	
30	930 110 056 02	cover		1		47	900 067 008 02	pan-head screw M 6 X 12		2	
31	N 012 226 5	spring washer B 6		8		48	930 110 109 00	hose 18 X 26 X 550		2	
32	900 076 010 02	hexagon nut M 6		8		49	999 512 552 00	hose clamp		4	
33	930 110 173 00	vacuum limiter		1		50	930 110 152 00	rubber sleeve		1	
-	930 606 106 00	thermo valve		1	930/53	51	999 512 350 02	hose clamp		2	
-	N 010 210 13	hexagon-head bolt M 6 X 10		1		-	999 181 706 50	hose 5 X 11		*	
-	N 012 226 5	spring washer A 6		1		52	-	500 MM		1	
34	930 110 167 00	retaining bracket		1							

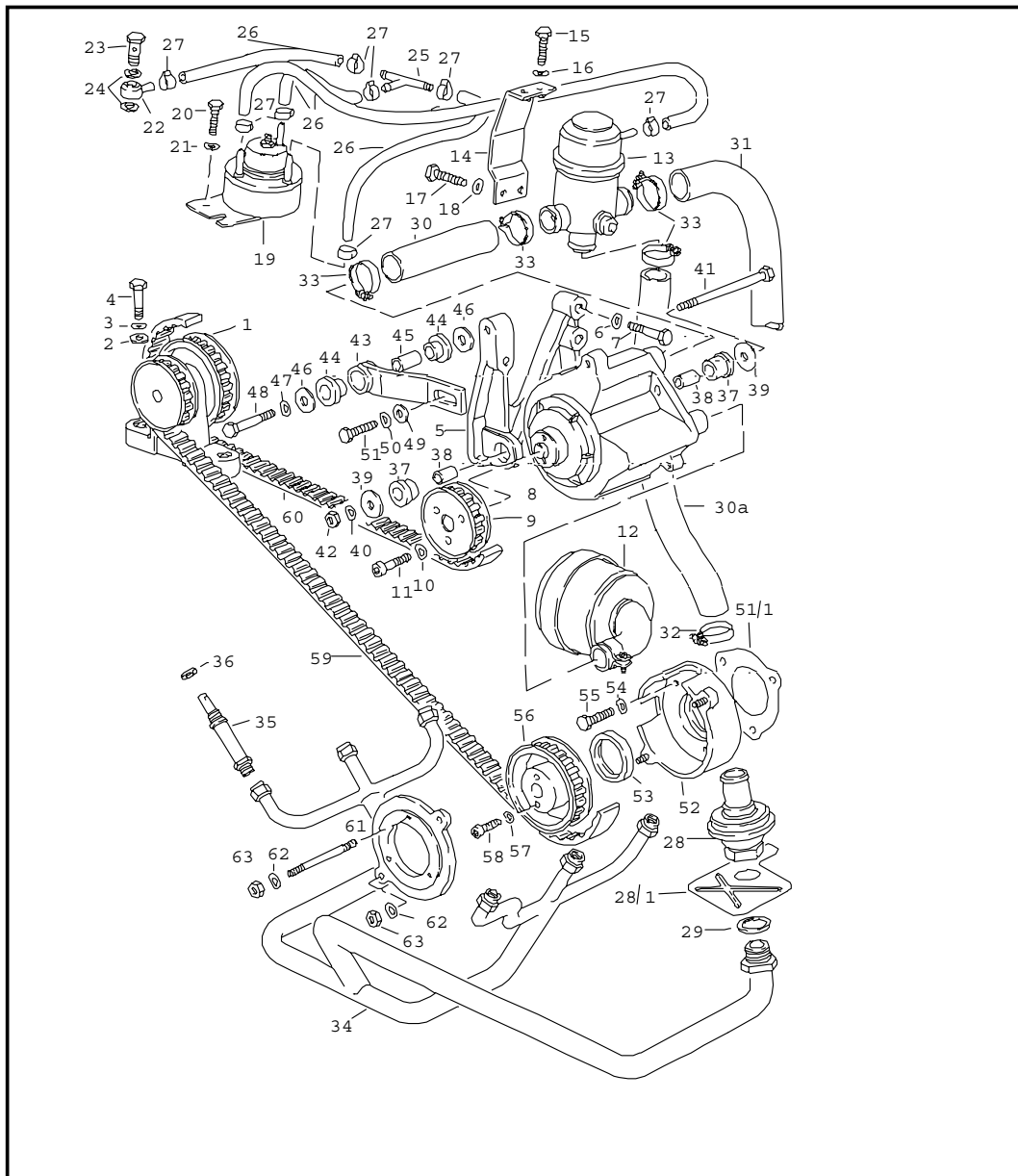
Model	Year	MG	SG	Illustration	Restrictions	Update	9:58	21.08.2006	PORSCHE	PET	PORSCHE
911t	77	1	07	107-05		203					

Pos	Part Number	Name	Remarks	Qty	Model	Pos	Part Number	Name	Remarks	Qty	Model
53	A 930 110 359 00	bracket	-75	1		68	930 606 105 02	warm-up valve		1	930/53
53	930 110 359 02	bracket		1		69	N 044 703 3	pan-head screw M 6 X 45		2	
-	999 504 008 00	threaded insert		2				M >> 687 0560			
54	901 423 253 00	bearing sleeve		2		69	900 119 055 02	pan-head screw M 6 X 60		2	
54/1	901 110 236 00	spacer tube		1				M 687 0561 >>			
55	N 012 241 8	spring washer B 8		3		70	N 012 226 5	spring washer A 6		2	
56	900 076 025 02	hexagon nut M 8		3		70/1	911 110 591 00	spacer sleeve M 687 0561 >>		2	
57	930 110 060 02	lever		1		71	900 915 004 02	connection piece		1	
58	930 110 148 00	spring		1		72	* 900 123 003 30	sealing ring A 10 X 14		1	
59	930 110 110 00	lever		1		73	999 512 160 02	hose clamp S 13/9		2	
60	N 012 241 8	spring washer B 8		3		-	999 181 709 50	hose 8 X 14		*	
61	900 076 025 02	hexagon nut M 8		1		74	-	230 MM M >> 687 0560		1	
62	930 110 079 01	pull rod		1		-	999 181 709 50	hose 8 X 14		*	
63	900 116 003 01	lock washer		1		74	-	270 MM M 687 0561 >>		1	
64	930 110 247 07	throttle housing \$ 63		1	930/51	-	999 181 706 50	hose 5 X 11		*	
64	930 110 247 08	throttle housing \$ 63		1	930/53	75	-	150 MM			
-	930 110 497 00	tension spring		1		76	999 512 082 02	hose clamp S 10/9		2	
65	* 999 701 124 40	o-ring 67,5 X 4		1		-	999 181 717 50	vacuum hose 12 X 19		*	
66	900 076 010 02	hexagon nut M 6		4		-	-	650 MM	/LL	1	
67	N 012 226 5	spring washer B 6		4		-	999 512 056 02	hose clamp	/LL	2	
68	930 606 105 00	warm-up valve for 930/50/51/52/54		1		-	930 110 267 00	connecting socket	/LL	1	
68	930 606 105 01	warm-up valve		1				for 930/53			
68	930 606 105 AX	warm-up valve only HOEHNSTAATEN		1		-	930 110 274 01	support M >> 687 0560		1	

Model	Year	MG	SG	Illustration	Restrictions	Update	9:58	21.08.2006	PORSCHE	PET	PORSCHE
911t	77	1	07	107-05		203					

Pos	Part Number	Name	Remarks	Qty	Model	Pos	Part Number	Name	Remarks	Qty	Model
-	930 110 274 02	support M 687 0561 >>		1		-	-	260 MM throttle valve t-piece		1	
-	930 110 275 00	additional air valve		1		-	999 181 707 40	hose 5 X 11		*	
-	930 110 275 01	additional air valve NUR FUER HOEHENSTAATEN		1		-	-	150 MM t-piece vacuum limiter		1	
-	900 067 008 02	pan-head screw M 6 X 12		1		-	999 181 715 40	hose 4 X 10		*	
-	N 012 226 5	spring washer		1		-	-	400 MM t-piece thermo valve		1	
-	900 075 010 02	hexagon-head bolt M 6 X 12		2		-	999 181 715 40	hose 4 X 10		*	
-	N 012 226 5	spring washer		2		-	-	220 MM thermo valve additional air valve		1	
-	930 110 272 00	pipe		1		-	999 512 082 02	hose clamp		6	
-	930 110 318 00	hose 18 X 26 X 110 valve housing M >> 687 0650		1				- - - E N D - - -			
-	930 110 318 01	hose 18 X 26 X 105 additional air valve intake manifold M 687 0561 >>		1							
-	999 512 552 00	hose clamp		4							
-	930 110 319 00	hose 18 X 26 X 70 additional air valve intake manifold		1							
-	930 110 320 00	hose 15 X 22,5 X 160 additional air valve M >> 687 0560		1							
-	930 110 320 01	hose 15 X 22,5 X 90 intake manifold M 687 0561 >>		1							
-	999 512 045 02	hose clamp		2							
-	930 110 271 01	t-piece 5 - 4 - 5		1							
-	999 181 707 40	hose 5 X 11		*							

Model	Year	MG	SG	Illustration	Restrictions	Update	9:58	21.08.2006	PORSCHE	PET	PORSCHE
911t	77	1	08	108-00		203					



Pos	Part Number	Name	Remarks	Qty	Model
		LUFTEINBLASUNG			
1	930 113 013 03	bearing bracket		1	
1	930 113 013 04	bearing bracket		1	930/53
2	N 011 524 7	washer A 6,4		2	
3	N 012 226 5	spring washer B 6		2	
4	900 074 015 02	hexagon-head bolt M 6 X 30		2	
5	930 113 111 00	bracket		1	
6	N 012 241 8	spring washer B 8		3	
7	N 010 335 5	hexagon-head bolt M 8 X 35		3	
8	930 113 110 00	air pump		1	
9	930 113 017 03	gear wheel 4		1	
10	N 012 226 5	spring washer A 6		3	
11	900 067 089 02	pan-head screw M 6 X 25		3	
12	930 113 120 01	air cleaner		1	
-	930 113 401 00	filter cartridge		1	
13	930 113 127 00	diverter valve		1	
14	930 113 112 00	retaining bracket		1	
15	900 378 030 09	hexagon-head bolt M 6 X 20		2	
16	N 012 226 5	spring washer B 6		2	
17	900 075 010 02	hexagon-head bolt M 6 X 12		2	
18	N 012 226 5	spring washer B 6		2	
19	930 113 126 01	control valve		1	
20	900 075 010 02	hexagon-head bolt M 6 X 12		2	

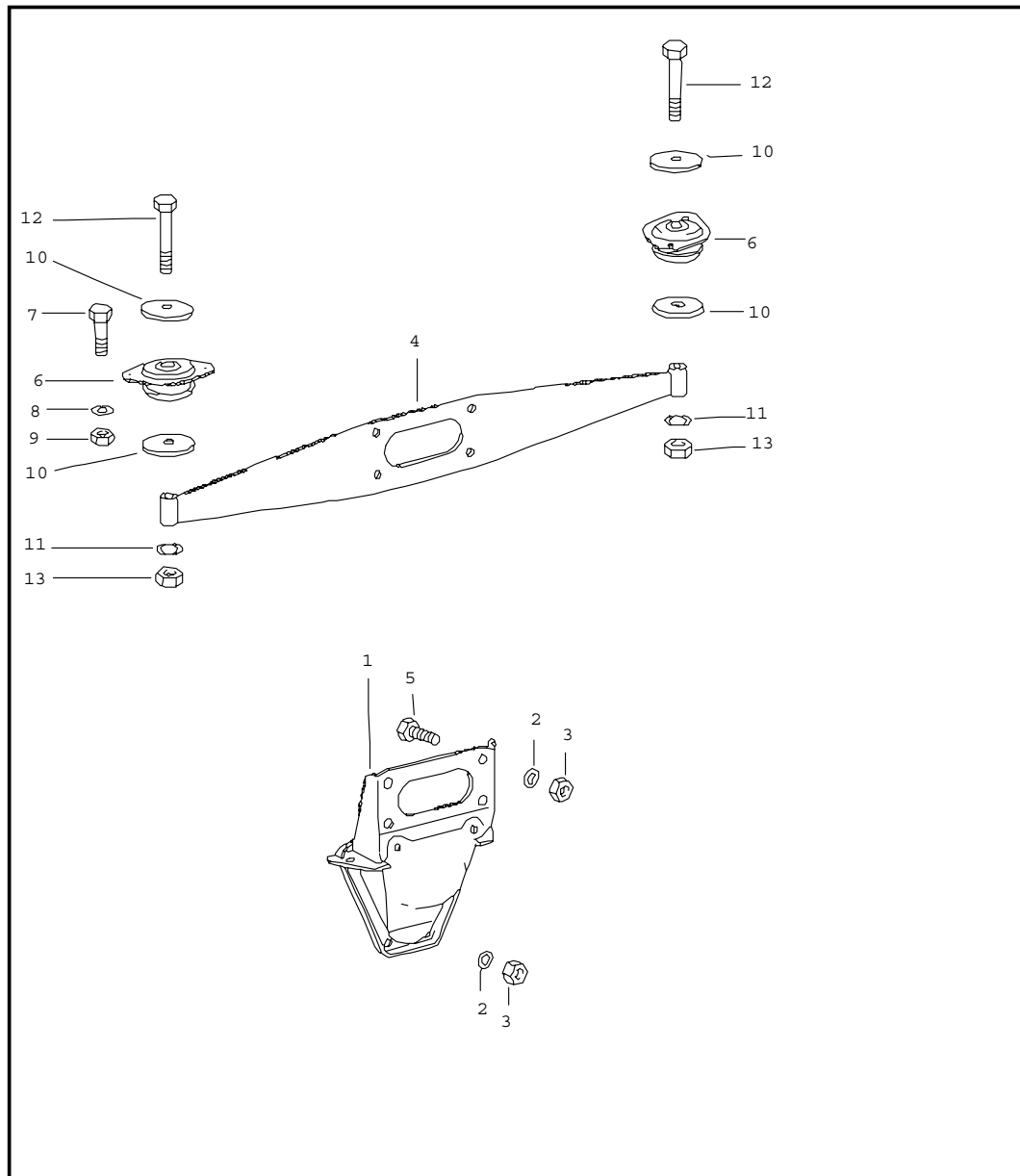
Model	Year	MG	SG	Illustration	Restrictions	Update	9:58	21.08.2006	PORSCHE	PET	PORSCHE
911t	77	1	08	108-00		203					

Pos	Part Number	Name	Remarks	Qty	Model	Pos	Part Number	Name	Remarks	Qty	Model
21	N 012 226 5	spring washer B 6		2		42	900 076 025 02	hexagon nut M 8		1	
22	911 110 382 00	ring piece		1		43	930 113 141 00	support		1	
23	930 110 547 00	banjo bolt A 4		1		44	930 113 430 00	rubber mounting		2	
24	* 900 123 033 20	sealing ring A 10 X 13,5		2		45	930 113 142 00	spacer sleeve		1	
25	999 137 004 40	t-socket		1		46	900 151 008 02	washer B 8,4		2	
26	999 181 710 40	control line		*		47	N 012 241 8	spring washer B 8		1	
27	311 133 343 A	hose clamp		8		48	900 074 134 02	hexagon-head bolt M 8 X 45		1	
28	911 113 115 01	check valve		1		49	900 025 007 02	washer B 8,4		1	
29	* 900 123 060 30	sealing ring A 24 X 29		1		50	N 012 241 8	spring washer B 8		1	
30	930 113 118 00	hose air pump diverter valve		1		51	900 075 085 02	hexagon-head bolt M 8 X 20		1	
30A	930 113 181 00	hose diverter valve check valve		1		51/1	930 105 197 05	gasket		1	
31	930 113 182 00	air hose of diverter valve		1		52	930 113 031 00	intermediate flange		1	
32	999 512 038 02	hose clamp		1		53	999 113 464 40	shaft seal		1	
33	999 512 552 00	hose clamp		4		54	N 012 226 5	spring washer B 6		3	
34	930 113 043 01	air tube		1		55	900 075 057 02	hexagon-head bolt M 6 X 16		2	
35	911 113 145 02	union		6		56	930 113 014 01	gear wheel 1		1	
36	* 900 123 033 20	sealing ring A 10 X 13,5		6		57	N 012 226 5	spring washer A 6		2	
37	911 113 121 01	rubber mounting		2		58	900 067 013 02	pan-head screw M 6 X 35		2	
38	911 113 122 00	spacer sleeve		2		59	999 192 095 50	toothed belt 80 ZAEHNE		1	
39	900 151 008 02	washer B 8,4		2		60	999 192 102 50	toothed belt 72 ZAEHNE		1	
40	N 012 241 8	spring washer B 8		1		60	999 192 096 50	toothed belt 73 ZAEHNE		1	930/53
41	900 074 050 02	hexagon-head bolt M 8 X 120		1							

Model	Year	MG	SG	Illustration	Restrictions	Update	9:58	21.08.2006	PORSCHE	PET	PORSCHE
911t	77	1	08	108-00		203					

Pos	Part Number	Name	Remarks	Qty	Model	Pos	Part Number	Name	Remarks	Qty	Model
61	930 113 033 00	cover for intermediate flange		1							
62	N 012 226 5	spring washer B 6		5							
63	900 076 010 02	hexagon nut M 6		5							
- - - E N D - - -											

Model	Year	MG	SG	Illustration	Restrictions	Update	9:59	21.08.2006	PORSCHE	PET	PORSCHE
911t	77	1	09	109-00		203					



Pos	Part Number	Name	Remarks	Qty	Model
		engine suspension			
1	911 115 014 03	bracket		1	
2	N 012 242 3	spring washer B 10 X 18		8	
3	900 157 002 02	hexagon nut M 10		8	
4	930 375 011 01	bracket		1	
(4)	930 375 011 01	bracket		1	
5	900 156 006 02	hexagon-head bolt M 10 X 18		4	
6	911 375 043 00	bearing		2	
7	N 010 335 5	hexagon-head bolt M 8 X 35		4	
8	900 027 015 02	lock ring B 8		4	
9	900 076 025 02	hexagon nut M 8		4	
10	901 305 311 00	seat		4	
(12)	N 010 191 2	hexagon-head bolt M 12 X 1,5 X 95	75-	2	
- - - E N D - - -					

Model	Year	MG	SG	Illustration	Restrictions	Update	9:59	21.08.2006
911t	77	1	98	198-00		203		

Pos	Part Number	Name	Remarks	Qty	Model
>>	> 911 100 907 05	set of seals repair kits		1	
-	900 123 007 30	sealing ring 14 X 18		2	
-	999 704 172 50	sealing ring		3	
-	999 701 006 40	o-ring		26	
-	999 113 057 52	radial sealing ring 65 X 85 X 10		1	
-	930 101 391 01	gasket		2	
-	900 123 011 20	sealing ring A 22 X 27		1	
-	999 113 049 50	radial sealing ring 30 X 50 X 10		1	
-	900 174 041 40	sealing ring R 50 X 4		1	
-	900 123 044 30	sealing ring A 18 X 22		2	
-	900 031 014 30	washer 8,4		24	
-	900 123 066 30	sealing ring A 10 X 16		8	
-	900 031 011 30	washer 6,4		3	
-	900 123 005 00	sealing ring A 12 X 16		4	
-	930 105 198 01	gasket		1	
-	999 704 173 50	sealing ring		1	
-	900 123 011 30	sealing ring A 22 X 27		1	
-	999 701 053 50	sealing ring 39,2 X 3		1	
-	900 123 071 30	sealing ring A 18 X 24		2	
-	930 107 791 00	gasket		1	
-	911 602 102 01	sealing ring		1	

Model	Year	MG	SG	Illustration	Restrictions	Update	9:59	21.08.2006
911t	77	1	98	198-00		203		

Pos	Part Number	Name	Remarks	Qty	Model
-	900 123 009 20	sealing ring A 18 X 24		1	
>>-	> 930 100 901 03	MOTORDICHTUNGS- SATZ I (ZYLINDER - ZYLINDERKOPF) comprising:		1	
-	999 704 172 50	sealing ring		2	
-	930 104 194 02	gasket		6	
-	930 104 317 00	ce-seal ring		6	
-	911 104 193 00	valve stem seal		12	
-	930 105 193 00	gasket		2	
-	999 701 449 40	o-ring 8,3 - 2,4		2	
-	999 701 596 40	o-ring 20,3 - 2,4		2	
-	999 701 298 40	o-ring 10 - 1,3		2	
-	N 013 804 2	sealing ring A 6 X 10		2	
-	930 105 197 05	gasket		3	
-	999 701 124 40	o-ring 67,5 X 4		1	
-	930 105 191 03	gasket		1	
-	930 105 192 01	gasket		1	
-	900 031 011 30	washer 6,4		19	
-	900 031 014 30	washer 8,4		2	
-	930 105 194 00	gasket		2	
-	930 105 195 00	gasket		2	
-	900 031 014 30	washer 8,4		40	
-	999 704 173 50	sealing ring		1	
-	900 123 005 30	sealing ring A 12 X 16		7	
-	999 701 435 40	round seal 47 X 2		1	

PORSCHÉ

PET

PORSCHÉ

Model	Year	MG	SG	Illustration	Restrictions	Update	9:59	21.08.2006
911t	77	1	98	198-00		203		

Pos	Part Number	Name	Remarks	Qty	Model
-	900 123 007 30	sealing ring A 14 X 18		3	
-	999 113 241 40	radial sealing ring		1	
-	900 123 055 30	sealing ring A 12 X17		1	
-	900 123 087 60	sealing ring A 36 X 42		1	
-	930 107 116 01	gasket		1	
-	900 123 018 30	sealing ring A 16 X 20		2	
-	930 107 123 01	gasket		1	
-	900 123 033 20	sealing ring A 10 X 13,5		26	
-	930 110 197 10	gasket		12	
-	930 110 149 00	gasket		2	
-	999 701 445 40	round seal 70 X 5		1	
-	930 110 122 00	sealing ring		1	
-	930 110 122 01	sealing ring		1	
-	900 123 006 25	sealing ring A 12 X 18		2	
-	900 123 003 30	sealing ring A 10 X 14		1	
-	930 110 394 00	gasket		1	
-	900 123 050 20	sealing ring A 8 X 11,5		12	
-	999 701 395 50	o-ring 7 - 2		1	
-	900 174 032 40	o-ring 18 X 2,5		1	
-	930 111 192 01	gasket		2	
-	999 701 468 40	round seal		2	
-	930 111 156 01	support washer		1	
-	911 111 189 03	gasket		2	
-	930 111 193 01	gasket		2	
-	930 123 193 03	gasket		2	

Model	Year	MG	SG	Illustration	Restrictions	Update	9:59	21.08.2006
911t	77	1	98	198-00		203		

Pos	Part Number	Name	Remarks	Qty	Model
-	930 123 194 01	gasket		2	
-	900 123 060 30	sealing ring A 24 X 29		2	
-	999 113 464 40	shaft seal 35 X 45 X 7		1	
-	911 113 190 01	gasket		6	
-	930 123 134 04	gasket		1	
-	930 123 132 02	support washer		2	
-	900 123 043 30	sealing ring A 12 X 15,5		4	
-	930 123 192 01	gasket		1	
-	930 111 191 01	gasket		6	
-	930 111 162 01	gasket		2	
-	930 111 160 01	gasket		2	
-	900 123 007 70	sealing ring A 14 X 18		1	
		piston ring			
>>-	> 930 103 959 00	set of piston rings \$ 95 MM		6	
>>-	> 911 105 901 01	repair kit for chain adjuster 930.105.049.00 see group 1/03/10 + 1/03/15		1	
		comprising:			
12	-	intermediate piece		1	
13	-	o-ring OR 10 - 1		1	
14	-	KAEFIG for KUGELVENTIL		1	
14A	-	compression spring		1	
15	-	ball 5 MM V		1	
16	-	spring guide		1	
18	-	snap ring B 16		1	

PORSCHE

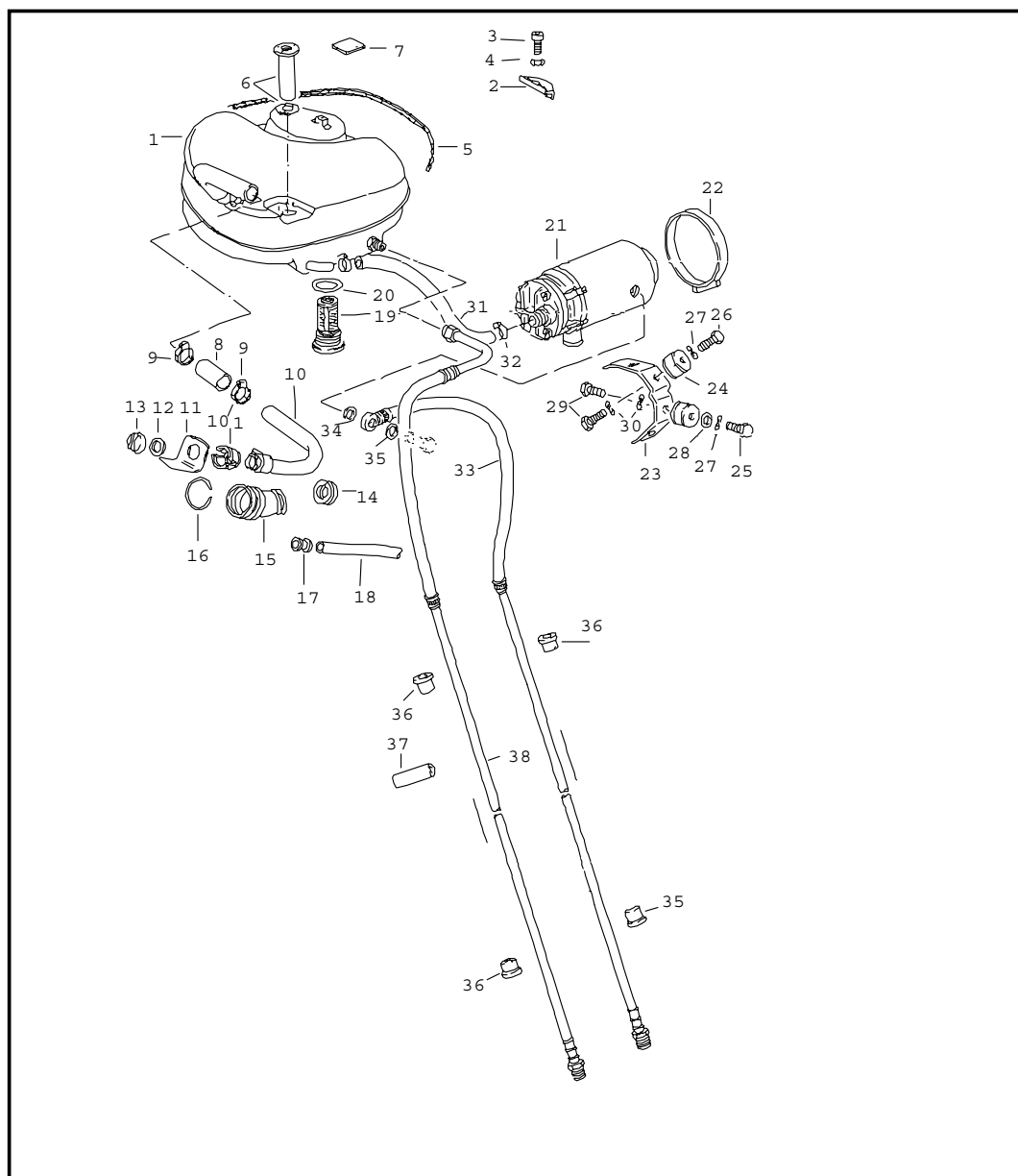
PET

PORSCHE

Model	Year	MG	SG	Illustration	Restrictions	Update	9:59	21.08.2006
911t	77	1	98	198-00		203		

Pos	Part Number	Name	Remarks	Qty	Model
20	-	o-ring CR 8,3 - 2,4		1	
21	-	o-ring CR 20,3 - 2,4		1 1	
24	-	snap ring B 28		1	
26	-	gasket A 6 X 10		1	
- - - E N D - - -					

Model	Year	MG	SG	Illustration	Restrictions	Update	9:59	21.08.2006	PORSCHE	PET	PORSCHE
911t	77	2	01	201-05		203					

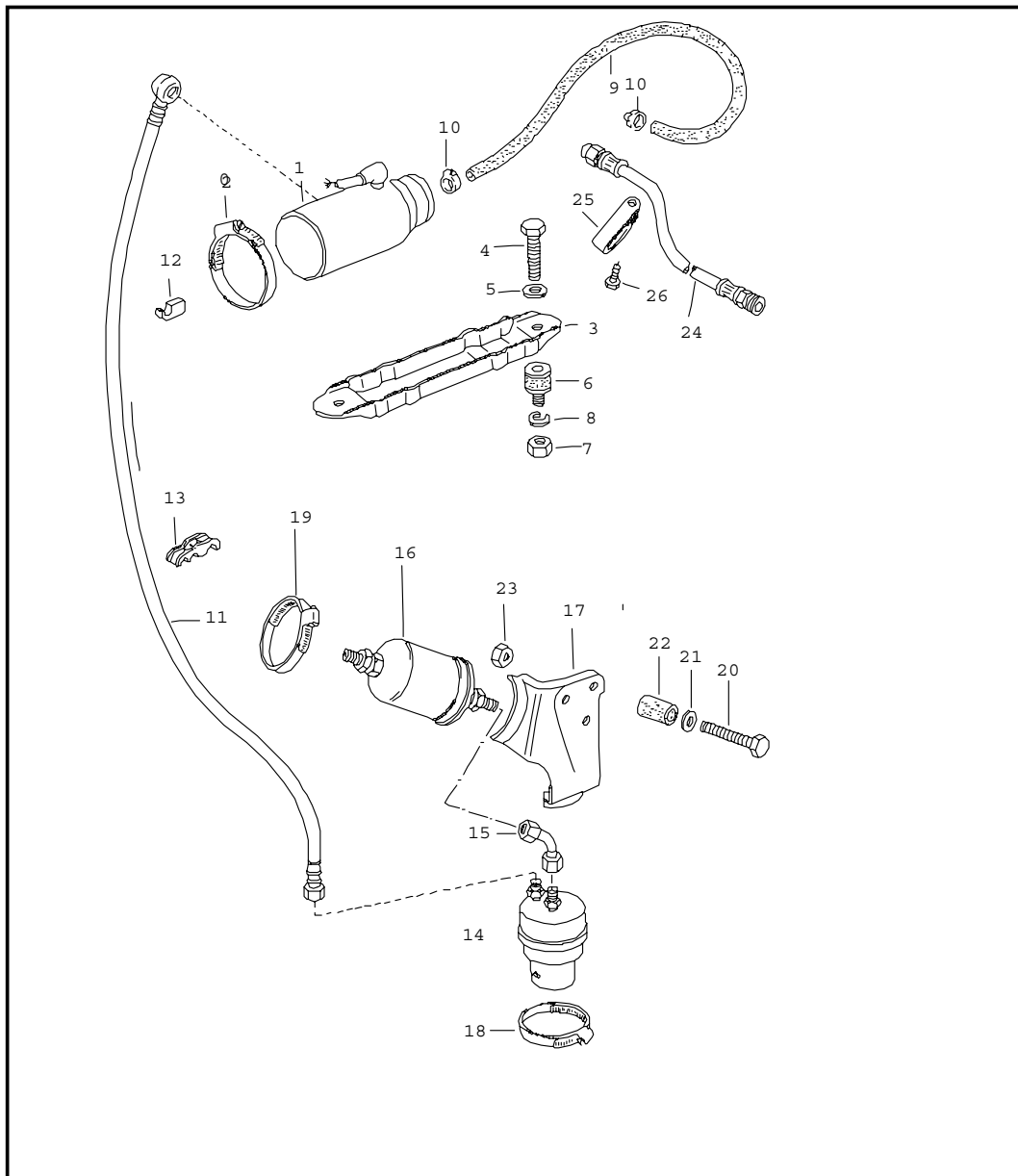


Pos	Part Number	Name	Remarks	Qty	Model
-	911 201 291 00	fuel system front for cars with aluminium auxil. support		1	
1	930 201 010 01	support for spare wheel		1	
2	911 201 311 00	fuel tank		3	
3	900 067 151 02	bracket		3	
4	900 031 001 02	pan-head screw M 8 X 20		3	
5	900 031 001 02	washer 8,4		3	
5	901 504 932 20	sealing strap see illustrations 9/03/00		1	
7	911 201 259 00	desk pad emergency wheel		1	
(7)	911 201 259 01	desk pad emergency wheel		2	
8	911 201 515 00	hose		1	
9	999 512 348 02	hose clamp		1	
10	911 201 049 02	filler neck		2	
-	N 011 524 7	washer 6,4		2	
-	900 910 012 02	lock nut M 6		2	
10/1	911 201 269 00	guide		1	
11	911 201 279 01	protective flap		1	
12	901 201 272 00	sealing ring	-75	1	
12	477 201 557	gasket	76-	1	
13	901 201 271 00	fuel tank cap bayonet lock	-75	1	
(13)	911 201 272 00	fuel tank cap screw cap	76-	1	
14	911 201 095 00	gasket		1	
15	901 201 591 20	sleeve		1	
16	999 152 004 00	snap ring		1	

Model	Year	MG	SG	Illustration	Restrictions	Update	9:59	21.08.2006	PORSCHE	PET	PORSCHE
911t	77	2	01	201-05		203					

Pos	Part Number	Name	Remarks	Qty	Model	Pos	Part Number	Name	Remarks	Qty	Model
17	911 201 593 00	overflow socket		1		33	911 356 066 03	pressure line	-76	1	
18	901 201 931 00	overflow hose		1		33	911 356 066 07	pressure line	77-	1	
19	911 201 141 00	fuel filter		1		34	911 608 902 00	gasket		1	
20	911 201 143 00	sealing ring		1		35	911 608 902 01	gasket		1	
(21)	930 608 111 00	fuel pump	-76	1		36	911 356 202 03	rubber sleeve		4	
(21)	911 608 102 00	fuel pump	77-	1		37	999 613 017 40	covering		1	
-	930 608 201 00	screw socket	-76	1		38	911 356 062 07	return line		1	
-	N 013 849 2	sealing ring 14 X 18	-76	1				- - - E N D - - -			
-	911 608 211 00	intermediate piece	77-	1							
-	N 013 812 2	sealing ring A 12 X 15,5	77-	1							
-	900 123 033 20	sealing ring A 10 X 13,5	77-	2							
-	900 070 010 02	cap nut M 10 X 1,25	77-	1							
22	999 512 394 00	hose clamp		1							
23	911 608 105 01	support		1							
24	911 608 206 00	bonded rubber buffer		2							
25	900 075 010 02	hexagon-head bolt M 6 X 12		1							
26	N 010 208 5	hexagon-head bolt M 6 X 8		1							
27	N 012 226 5	spring washer B 6		2							
28	N 011 524 7	washer A 6,4		1							
29	N 010 208 5	hexagon-head bolt M 6 X 8		2							
30	N 012 226 5	spring washer B 6		2							
-	999 181 168 50	hose 11,8 X 17,8 85 MM		*							
32	999 512 056 02	hose clamp		2							

Model	Year	MG	SG	Illustration	Restrictions	Update	9:59	21.08.2006	PORSCHE	PET	PORSCHE
911t	77	2	01	201-15		203					

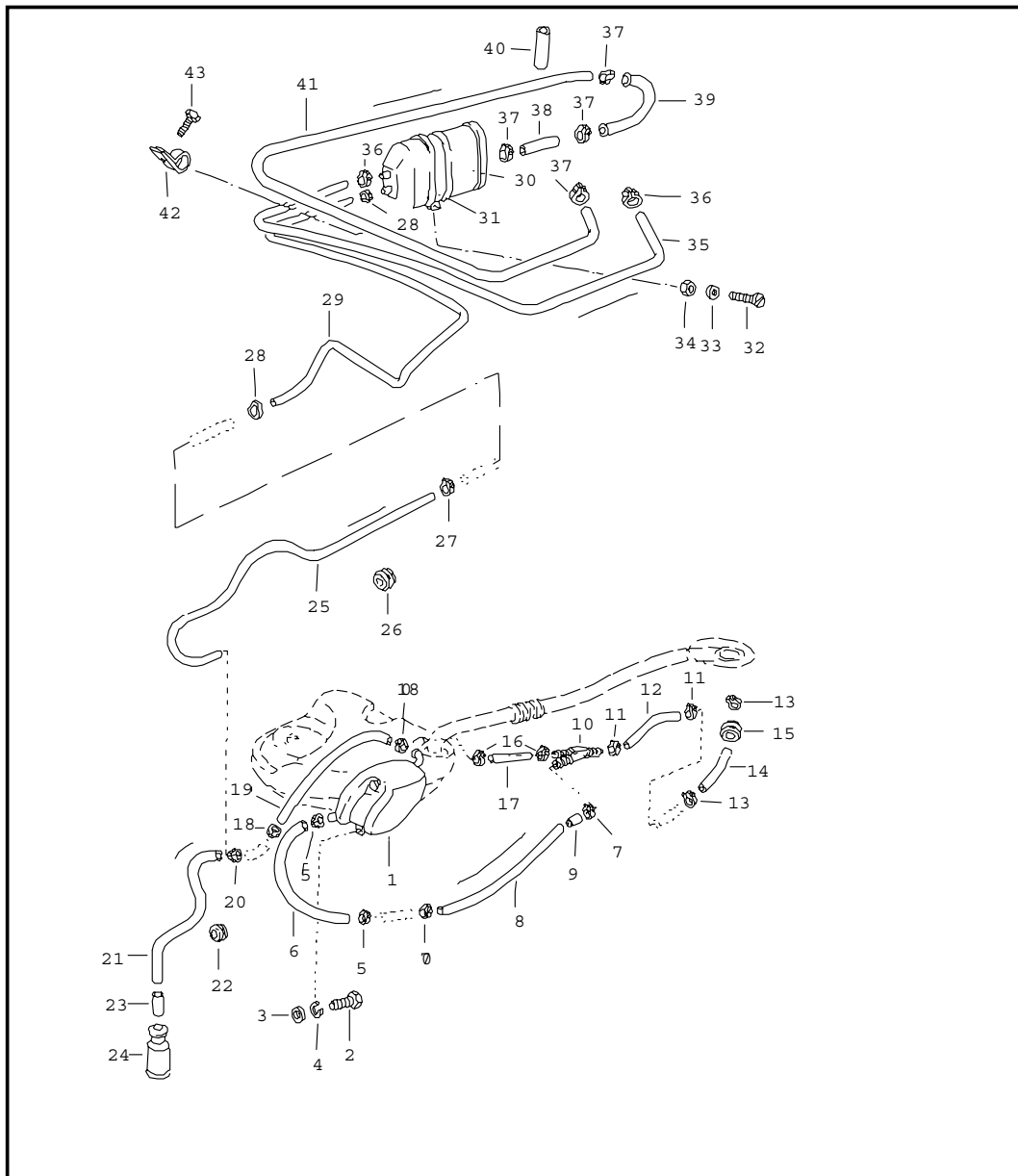


Pos	Part Number	Name	Remarks	Qty	Model
		fuel system rear	75-		K-JETRONIC
(1)	930 608 111 00	fuel pump	-76	1	
(1)	930 608 113 00	fuel pump	77-	1	
-	N 013 849 2	sealing ring A 14 X 18		1	
-	911 608 211 00	intermediate piece	77-	1	
-	N 013 812 2	sealing ring A 12 X 15,5	77-	1	
-	900 123 033 20	sealing ring A 10 X 13,5	77-	2	
-	900 070 010 02	cap nut M 10 X1,25	77-	1	
-	N 020 702 1	screw socket	-76	1	
2	999 512 164 02	hose clamp		1	
3	911 608 105 00	support		1	
4	N 010 208 5	hexagon-head bolt M 6 X 8		2	
5	N 012 007 2	lock ring A 6		2	
6	999 703 384 00	silentbloc		2	
7	900 076 010 02	hexagon nut M 6		2	
8	N 012 007 2	lock ring A 6		2	
(9)	930 356 068 02	fuel line		1	
(11)	930 356 081 01	pressure line	-76	1	
(11)	930 356 081 02	pressure line	77-	1	
12	911 356 543 01	support		1	
13	911 356 543 01	support		1	
(14)	911 110 197 02	fuel accumulator	-76	1	
(14)	911 110 197 01	fuel accumulator	77-	1	
(15)	930 356 083 00	fuel line		1	
(16)	930 110 139 00	fuel filter		1	

Model	Year	MG	SG	Illustration	Restrictions	Update	9:59	21.08.2006	PORSCHE	PET	PORSCHE
911t	77	2	01	201-15		203					

Pos	Part Number	Name	Remarks	Qty	Model	Pos	Part Number	Name	Remarks	Qty	Model
(17)	930 356 541 00	support	75	1							
(17)	930 356 041 01	bracket	76-	1							
(18)	999 512 199 02	clip		1							
(19)	999 512 235 02	hose clamp		1							
20	900 074 015 02	hexagon-head bolt M 6 X 30		3							
21	999 025 108 02	washer 6,4		3							
22	901 504 859 20	rubber sleeve		3							
23	900 084 010 02	hexagon nut M 6		3							
24	911 356 062 05	return line		1							
25	999 511 100 02	clip		1							
26	900 187 104 02	tapping screw B 4,8 X 13		1							
		- - - E N D - - -									

Model	Year	MG	SG	Illustration	Restrictions	Update	10:00	21.08.2006	PORSCHE	PET	PORSCHE
911t	77	2	01	201-30		203					

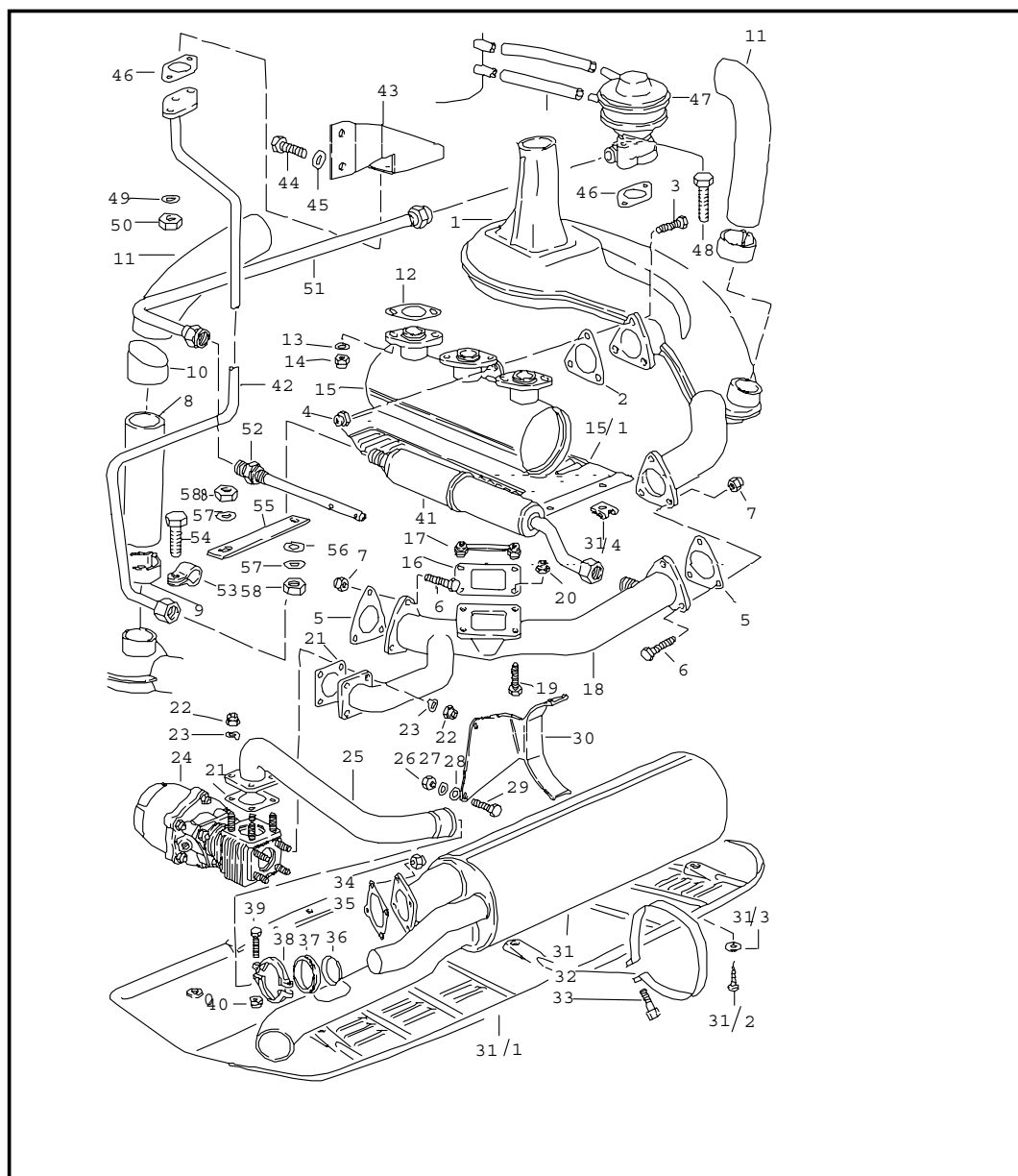


Pos	Part Number	Name	Remarks	Qty	Model
		tank ventilation	75-		
1	911 201 077 02	expansion tank		1	
2	900 075 057 02	hexagon-head bolt M6 X 16		1	
3	N 011 524 7	washer 6,4		1	
4	N 012 007 2	lock ring A 6		1	
5	N 023 570 2	hose clamp		2	
-	N 020 359 1	hose 9 X 3	-76	*	
6	-	265 MM	-76	1	
-	N 020 359 1	hose 9 X 2,5		*	
6	-	390 MM	77-	1	
7	N 023 570 2	hose clamp		2	
-	N 020 359 1	hose 9 X 2,5		*	
8	-	400 MM	-76	1	
-	N 020 359 1	hose 9 X 2,5		*	
8	-	150 MM	77-	1	
9	A 911 201 263 01	restrictor		1	
9	911 201 263 02	restrictor		1	
10	911 201 171 02	connecting piece		1	
11	N 023 570 2	hose clamp		2	
-	N 020 359 1	hose 9 X 2,5		*	
12	-	350 MM	-76	1	
-	N 020 359 1	hose 9 X 2,5		*	
12	-	270 MM	77-	1	
13	N 023 570 2	hose clamp		2	

Model	Year	MG	SG	Illustration	Restrictions	Update	10:00	21.08.2006	PORSCHE	PET	PORSCHE
911t	77	2	01	201-30		203					

Pos	Part Number	Name	Remarks	Qty	Model	Pos	Part Number	Name	Remarks	Qty	Model
-	N 020 359 1	hose 9 X 2,5		*		33	N 011 524 7	washer 6,4		1	
14	-	250 MM	-76	1		34	900 910 011 02	lock nut		1	
15	999 702 085 50	rubber sleeve		1		-	N 020 362 1	hose 12 X 2,5		*	
16	A 999 512 198 02	hose clamp		2		35	-	1750 MM		1	
16	N 023 570 2	hose clamp		2		36	999 512 265 02	hose clamp		2	
17	911 201 189 01	hose piece 10 X 3 X 190	-76	1		37	999 512 265 02	hose clamp		4	
-	N 020 359 1	hose 9 X 2,5		*		-	N 020 362 1	hose 12 X 2,5		*	
17	-	220 MM	77-	1		38	-	45 MM		1	
18	999 512 069 02	hose clamp		2		39	911 201 265 00	tube		1	
-	N 020 361 2	hose 4 X 1,5		*		40	999 613 017 40	covering		1	
19	-	370 MM		1		-	N 020 362 1	hose 12 X 2,5		*	
20	999 512 069 02	hose clamp		1		(41)	-	850 MM		1	
-	N 020 361 2	hose 4 X 1,5		*		(42)	999 511 066 02	clamp		2	
21	-	1020 MM	77-	1		43	900 075 017 02	hexagon-head bolt M 6 X 25		1	
-	N 020 361 2	hose 4 X 1,5		*				- - - E N D - - -			
25	-	1080 MM		1							
26	999 702 084 50	rubber sleeve		1							
27	999 512 069 02	hose clamp		1							
28	999 512 069 02	hose clamp		1							
-	N 020 361 2	hose 4 X 1,5		1							
29	-	2050 MM		1							
30	171 201 801	carbon canister		1							
31	911 501 425 00	support		1							
	GRV	prime coated									
32	900 014 028 02	pan-head screw AM 6 X 20		1							

Model	Year	MG	SG	Illustration	Restrictions	Update	10:00	21.08.2006	PORSCHE	PET	PORSCHE
911t	77	2	02	202-10		203					

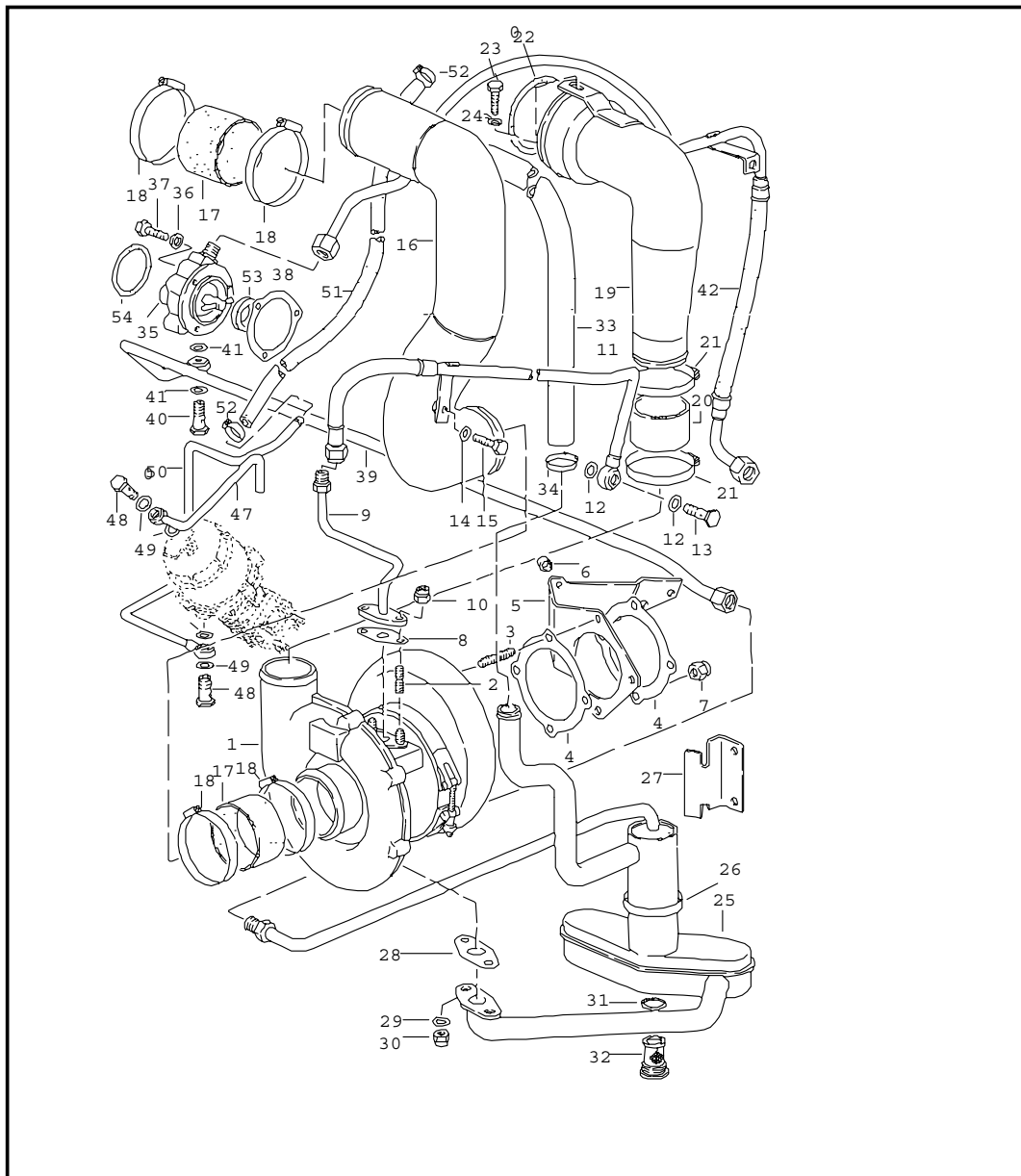


Pos	Part Number	Name	Remarks	Qty	Model
		exhaust system	(USA) (J)		
(1)	930 211 027 02	heat exchanger	/L	1	
1	930 211 028 02	heat exchanger	/R	1	
2	930 111 162 01	gasket		3	
3	N 010 275 4	hexagon-head bolt M 10 X 35		8	
4	999 084 002 02	hexagon nut M 10		8	
5	930 111 160 01	gasket		2	
6	900 074 059 02	hexagon-head bolt M 10 X 40		6	
7	999 084 002 02	hexagon nut M 10		6	
8	930 211 126 00	hot air line		1	
9	999 512 266 02	clip		1	
10	930 211 197 00	hose		1	
11	930 211 196 00	heater hose	/L	1	
11	930 211 195 00	heater hose	/R	1	
12	911 113 190 01	gasket		6	
13	900 031 001 02	washer 8,4		12	
14	999 084 052 02	lock nut M 8		12	
15	930 113 150 01	reactor		2	
-	930 113 151 00	entrance tube for reactor		6	
16	930 123 192 01	gasket		1	
17	930 123 114 02	supporting plate		1	
(18)	930 111 035 01	exhaust manifold		1	930/51
18	930 111 035 03	exhaust manifold		1	930/53/54
19	900 074 059 02	hexagon-head bolt M 10 X 40		4	

Model	Year	MG	SG	Illustration	Restrictions	Update	10:00	21.08.2006	PORSCHE	PET	PORSCHE
911t	77	2	02	202-10		203					

Pos	Part Number	Name	Remarks	Qty	Model	Pos	Part Number	Name	Remarks	Qty	Model
20	999 084 002 02	hexagon nut M 10		4		43	930 113 175 01	retaining bracket		1	
21	930 123 194 01	gasket		2		44	N 010 239 11	hexagon-head bolt M 8 X 18		2	
22	999 084 052 02	lock nut M 8		12		45	N 012 241 8	spring washer		2	
23	999 039 001 00	tab washer		12		46	911 113 179 02	gasket		1	930/53
24	> 930 123 060 12	wastegate		1		47	911 113 183 02	egr valve		1	
25	930 123 033 01	wastegate line		1	930/51	-	999 181 281 50	vacuum hose C 3,2 X 7		*	
25	930 123 033 01	wastegate line		1	930/53/54	47/1	-	400 MM		2	
26	N 011 010 6	hexagon nut M 10		2		48	N 010 347 5	hexagon-head bolt M 6 X 35		1	
27	900 028 005 01	spring washer A 10		2		48	900 074 019 02	hexagon-head bolt M 6 X 45		1	
28	900 025 008 02	washer 10,5		2		49	N 012 226 5	spring washer		4	
29	900 075 040 02	hexagon-head bolt M 10 X 20		2		50	900 076 010 02	hexagon nut M 6		4	
30	930 111 154 01	bracket		1		51	A 930 113 116 02	pipe	-76	1	
31	930 111 025 04	exhaust silencer		1		51	930 113 116 02	pipe		1	
32	930 111 155 00	clip		1		52	930 113 117 00	nozzle		1	
33	900 067 161 02	pan-head screw M 10 X 50		1		-	900 123 055 30	sealing ring A 12 X 17		1	
34	999 084 005 02	thermag nut M 10		4		53	999 512 243 02	clip		1	
35	930 123 191 01	gasket		2		54	900 075 010 02	hexagon-head bolt M 6 X 14		1	
36	930 123 132 02	support washer		1		55	911 113 123 00	support		1	
37	930 123 134 04	gasket		1		56	N 011 524 7	washer		1	
38	930 123 133 00	clamp		2		57	N 012 226 5	spring washer		2	
39	900 074 233 02	hexagon-head bolt BM 6 X 40		2		58	900 076 010 02	hexagon nut		2	
40	900 910 096 02	lock nut M 6		2				- - - E N D - - -			
41	930 113 173 00	exhaust gas filter		1							
42	930 113 176 00	pipeline		1							

Model	Year	MG	SG	Illustration	Restrictions	Update	10:00	21.08.2006	PORSCHE	PET	PORSCHE
911t	77	2	02	202-20		203					



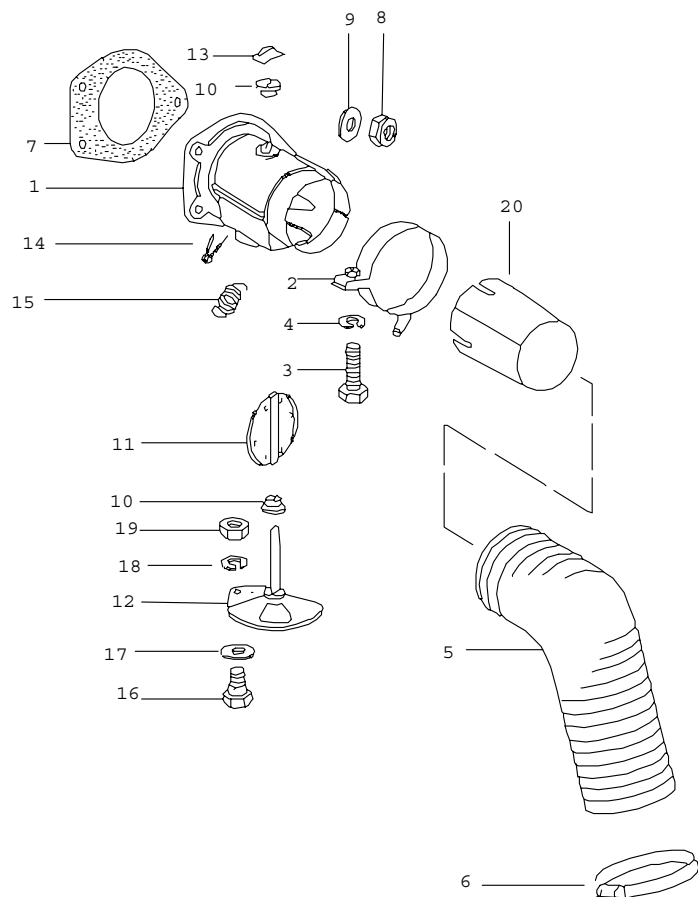
Pos	Part Number	Name	Remarks	Qty	Model
		turbocharger and wastegate			
1	930 123 002 00	turbocharger		1	
2	900 081 004 02	stud M 8 X 20		4	
3	900 081 031 02	stud M 10 X 35		4	
4	930 123 191 01	gasket		2	
5	930 123 121 01	bracket		1	
6	930 123 123 00	spacer tube		1	
7	999 084 005 02	thermag nut M 10		4	
8	930 107 123 01	gasket		1	
9	930 107 124 01	oil pipe	/L	1	
10	999 084 052 02	lock nut M 8		2	
11	930 107 125 03	oil pipe for 930/51/52/53/54		1	
12	900 123 007 30	sealing ring A 14 X 18		2	
13	930 107 706 00	banjo bolt for 930/51/52/53/54		1	
14	N 012 226 5	spring washer B 6		1	
15	900 075 010 02	hexagon-head bolt M 6 X 12		1	
16	930 110 165 02	intake pipe		1	
17	930 110 158 01	rubber sleeve		2	
18	999 512 250 02	clamp		4	
19	930 110 163 02	pressure line		1	
20	930 110 158 04	rubber sleeve		1	
22	999 701 445 40	round seal 10 X 5		2	

Model	Year	MG	SG	Illustration	Restrictions	Update	10:00	21.08.2006	PORSCHE	PET	PORSCHE
911t	77	2	02	202-20		203					

Pos	Part Number	Name	Remarks	Qty	Model	Pos	Part Number	Name	Remarks	Qty	Model
23	900 075 010 02	hexagon-head bolt M 6 X 12		1		(47)	930 123 117 01	vent line		1	930/51/53/54
24	N 012 226 5	spring washer A 6		1		48	900 175 020 02	banjo bolt LL 8		2	
(25)	930 107 004 01	oil collection container		1	930/51/53/54	49	* 900 123 043 30	sealing ring A 12 X 15,5		4	
26	999 512 341 02	clip		2		50	930 123 115 00	control line		1	930/51
27	930 107 113 01	retaining bracket		1		(50)	930 123 115 01	control line		1	
28	930 107 116 01	gasket		1		-	999 181 709 50	hose 8 X 14		*	
29	N 012 241 8	spring washer B 8		2		51	-	520 MM		1	
30	999 084 052 02	lock nut M 8		2		52	999 512 160 02	hose clamp		1	
31	900 123 055 30	sealing ring A 12 X 17		1		53	999 113 241 40	radial sealing ring		1	
(32)	900 219 006 02	screw plug M 12 X 1,5		1		54	999 701 435 40	round seal 47 X 2		1	
33	930 107 394 02	connecting hose air cleaner		1				- - - E N D - - -			
34	999 512 252 02	hose clamp		2							
(35)	964 107 005 21	oil pump 930/51/52/53/54		1							
36	N 012 226 5	spring washer B 6		3							
-	900 076 010 02	hexagon nut M 6		3							
38	* 930 105 197 05	gasket		1							
(39)	930 107 338 00	oil pipe for 930/51/52/53/54		1							
40	900 175 005 02	banjo bolt LL 12		1							
41	900 123 018 30	sealing ring A 16 X 20		2							
(42)	930 107 336 00	oil pipe for 930/51/52/53/54		1							
(47)	930 123 117 01	vent line		1	930/51						

Model	Year	MG	SG	Illustration	Restrictions	Update	10:00	21.08.2006	PORSCHE	PET	PORSCHE
911t	77	2	02	202-30		203					

Pos	Part Number	Name	Remarks	Qty	Model
		heating air supply			
1	911 211 013 00	heat control box	/L	1	
(1)	911 211 014 00	heat control box	/R	1	
2	901 211 051 21	clip	/L	1	
(2)	901 211 052 21	clip	/R	1	
3	900 378 030 09	hexagon-head bolt M 6 X 20		2	
4	900 027 014 01	lock ring B 6		2	
(5)	911 211 622 00	connecting hose 280 MM	75-	2	
6	999 512 349 02	hose clamp		2	
7	911 211 297 00	gasket		2	
8	900 084 010 02	hexagon nut M 6		6	
9	N 011 524 7	washer 6,4		6	
10	901 211 255 21	bearing		4	
11	901 211 028 22	air flap		2	
12	901 211 035 21	rotary slide	/L	1	
(12)	901 211 036 21	rotary slide	/R	1	
13	999 507 222 02	mecano-speed-fix		2	
14	900 021 014 02	cotter pin 3 X 15		2	
15	999 522 013 01	spring		2	
16	901 211 683 00	clamping screw		2	
17	999 025 042 02	washer		2	
18	900 027 011 01	lock ring B 4		2	
19	N 011 004 6	hexagon nut M 4		2	
20	911 659 119 00	connecting piece		1	
		- - - E N D - - -			



PORSCHE

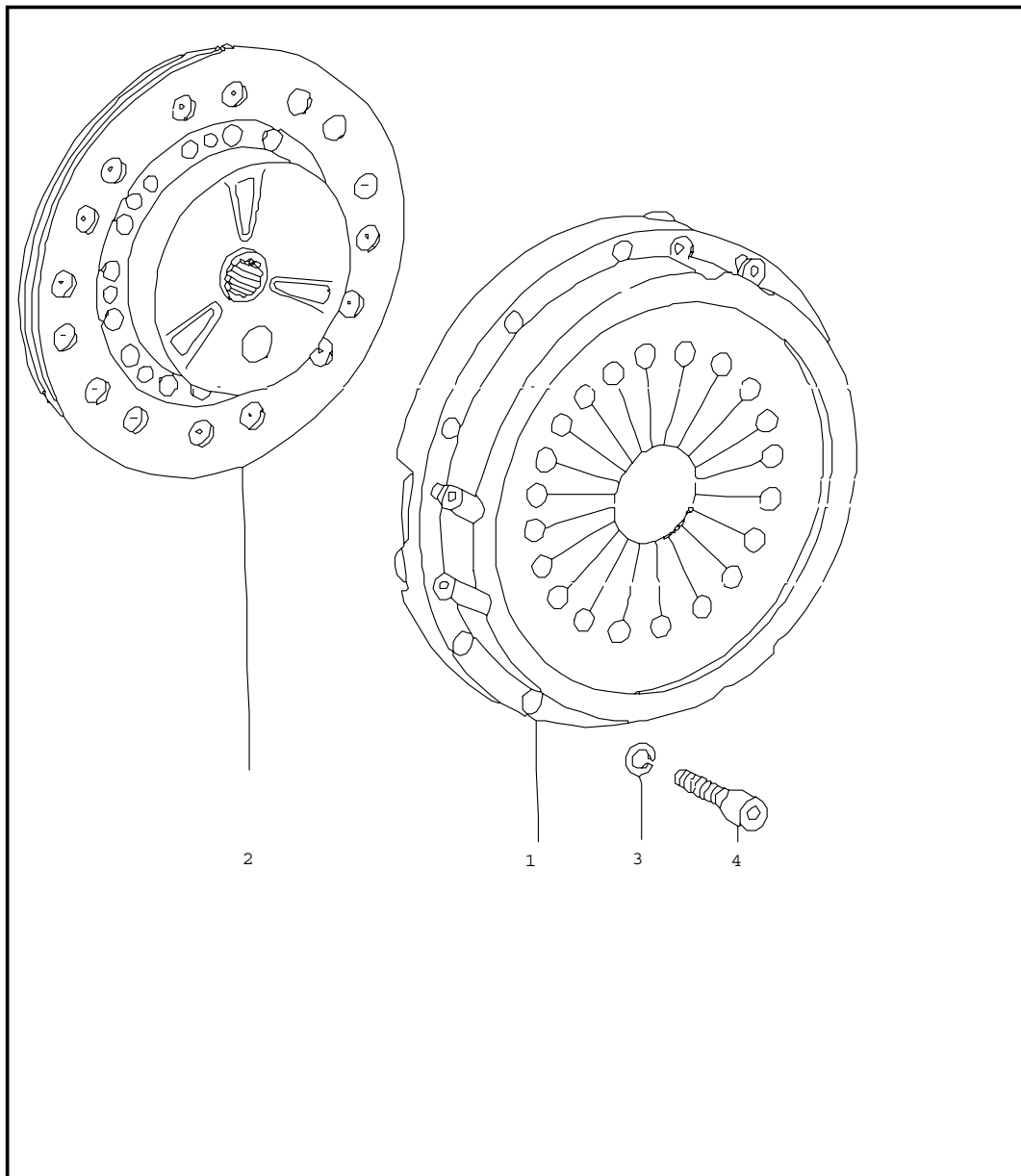
PET

PORSCHE

Model	Year	MG	SG	Illustration	Restrictions	Update	10:00	21.08.2006
911t	77	2	98	298-00		203		

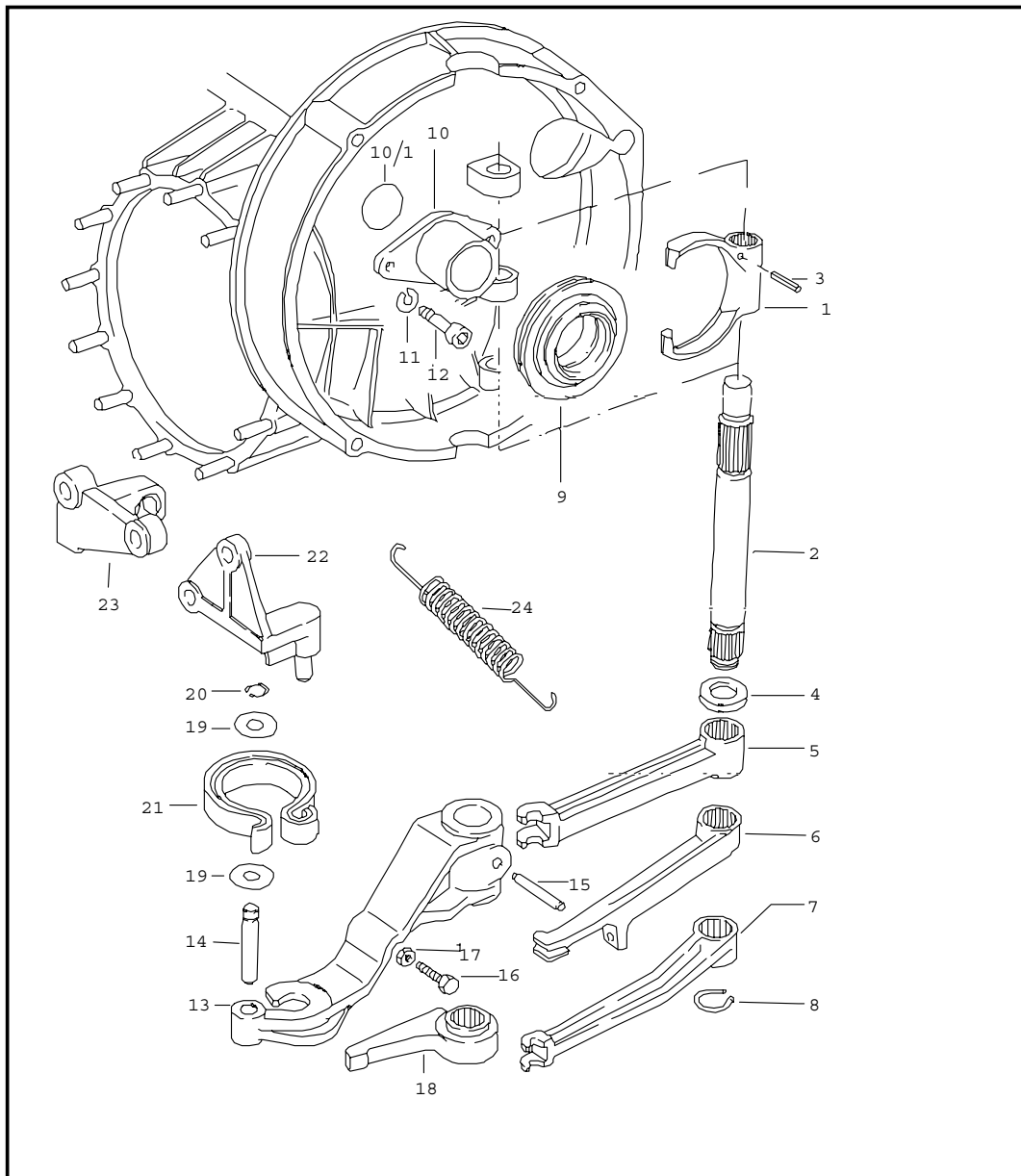
Pos	Part Number	Name	Remarks	Qty	Model
>>-	> 930 110 901 00	repair kits maintenance set for DEN PERIODISCHEN PFLEGEDIENST comprising:		1	
-	930 110 139 00	fuel filter		1	
-	930 110 185 02	air cleaner cartridge		1	
-	900 123 087 60	sealing ring A 36 X 42		1	
-	900 123 055 30	sealing ring A 12 X 17		1	
-	930 110 158 01	rubber sleeve		2	
-	930 110 158 04	rubber sleeve		1	
-	999 701 445 40	round seal 10 X 15		2	
-	930 110 152 00	rubber sleeve		1	
		- - - E N D - - -			

Model	Year	MG	SG	Illustration	Restrictions	Update	10:01	21.08.2006	PORSCHE	PET	PORSCHE
911t	77	3	01	301-00		203					



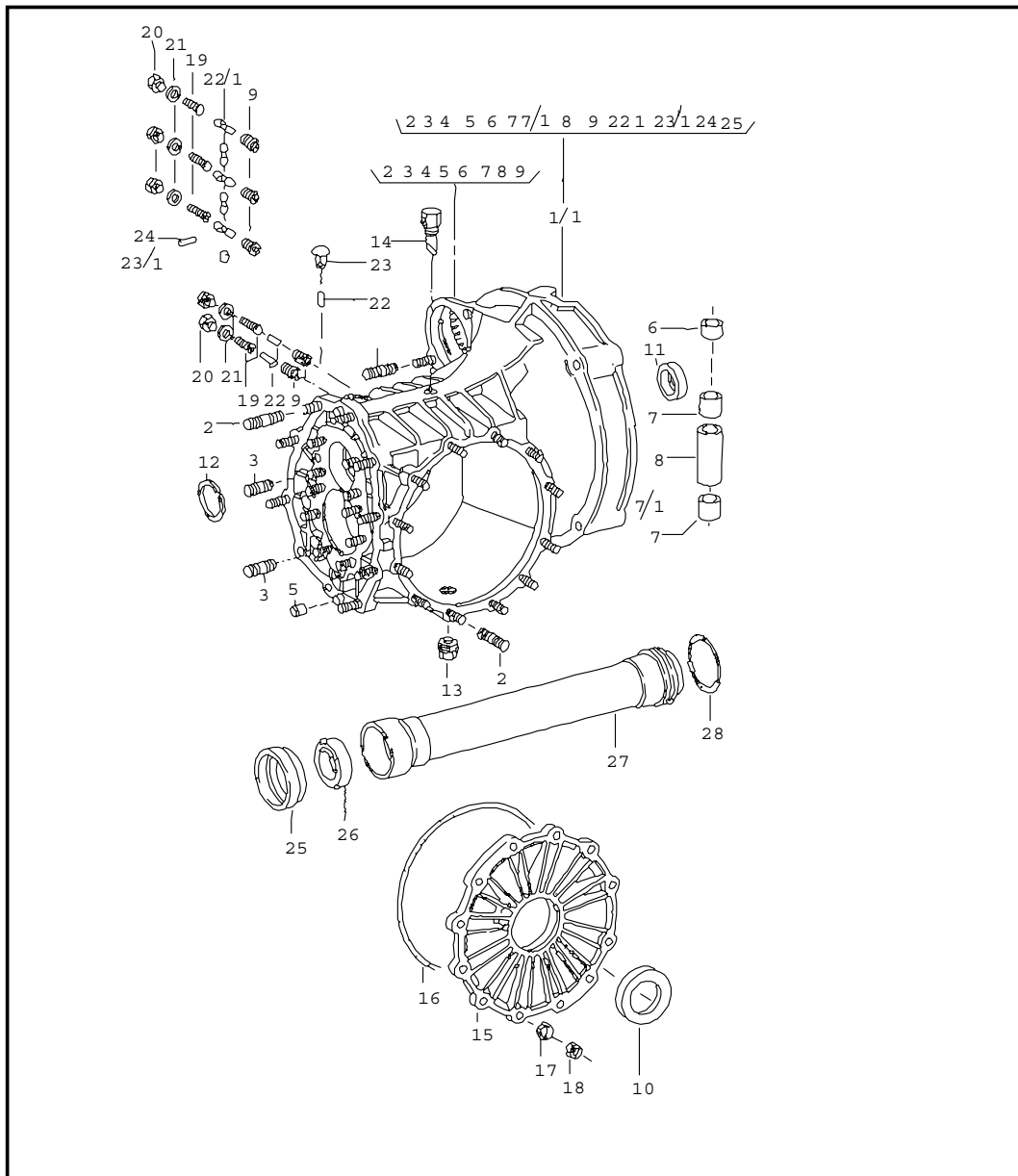
Pos	Part Number	Name	Remarks	Qty	Model
		clutch			
1	930 116 021 00	pressure plate		1	
(2)	930 116 014 02	clutch plate		1	
(3)	N 012 241 8	spring washer B 8		9	
(4)	900 074 040 02	hexagon-head bolt M 8 X 50		9	
		- - - E N D - - -			

Model	Year	MG	SG	Illustration	Restrictions	Update	10:01	21.08.2006	PORSCHE	PET	PORSCHE
911t	77	3	01	301-05		203					



Pos	Part Number	Name	Remarks	Qty	Model
		clutch release			
(1)	930 116 712 02	release fork		1	
(2)	930 116 133 00	shaft		1	930/30/32
(2)	930 116 133 02	shaft		1	930/33
3	900 095 050 00	tensioning sleeve		1	
4 *	915 301 139 00	sealing ring		1	
7	930 116 713 00	clutch release lever		1	930/30/32
8	N 012 418 1	circlip 18 X 1,2		1	
(9)	930 116 081 00	clutch release bearing		1	
10	930 116 813 00	guide tube		1	
11	N 012 006 4	lock ring B 6		2	
12	900 186 032 02	pan-head screw M 6 X 16		2	
		picture 13 - 21 for 915/61/66 : 930/33			
13	930 116 713 03	clutch release lever		1	
14	915 116 624 00	bolt		1	
15	900 012 132 00	straight pin 5 X 32		1	
16	930 116 701 00	adjusting screw		1	
17	N 011 118 11	hexagon nut M 8		1	
18	915 116 717 00	change lever		1	
19	930 116 617 00	washer		2	
20	900 041 003 01	circlip 8 X 0,8		1	
21	930 116 064 06	spring		1	
(22)	930 116 070 00	bearing bracket		1	930/33
		- - - E N D - - -			

Model	Year	MG	SG	Illustration	Restrictions	Update	10:01	21.08.2006	PORSCHE	PET	PORSCHE
911t	77	3	02	302-00		203					



Pos	Part Number	Name	Remarks	Qty	Model
-	930 300 010 00	replacement transmission transmission case		1	930/30
-	930 300 901 00	replacement transmission 4-speed ready for installation		1	930/30.12
-	930 300 901 00	replacement transmission 4-speed ready for installation limited-slip differential		1	930/30.12
-	930 300 010 33	replacement transmission 4-speed ready for installation		1	930/33
1/1	930 301 901 00	transmission case	-76	1	
1/1	930 301 901 01	transmission case	77-	1	930/33
2	999 062 139 02	stud M 8 X 26		20	
(2)	999 062 098 02	stud M 8 X 38	77-	2	
(2)	999 062 009 02	stud M 8 X 28	77-	8	
(3)	999 062 006 02	stud M 8 X 20		6	
(3)	999 062 008 02	stud M 8 X 25		4	
4	999 062 182 02	stud M 10 X 25		1	
5	900 012 110 00	straight pin 10 M 6 X 14		2	
6	915 301 125 01	bearing sleeve	-76	1	
(6)	915 301 119 00	bearing sleeve	77-	1	
7	915 301 129 00	bush		X	
7/1	930 301 130 00	bush		1	
8	915 301 133 00	pipe		1	
9	999 504 047 00	threaded insert heli-coil		3	
10	* 999 113 183 40	radial shaft seal		2	

Model	Year	MG	SG	Illustration	Restrictions	Update	10:01	21.08.2006	PORSCHE	PET	PORSCHE
911t	77	3	02	302-00		203					

Pos	Part Number	Name	Remarks	Qty	Model	Pos	Part Number	Name	Remarks	Qty	Model
13	999 064 020 02	screw plug M 24 X 1,5 with magnet		1							
14	904 301 071 00	bleeder		1							
(15)	930 301 311 02	transmission cover		1							
16	* 999 701 437 40	o-ring		1							
17	900 031 014 30	washer 8,4		12							
(17)	N 012 241 8	spring washer B 8		12							
18	900 076 025 02	hexagon nut M 8		12							
19	915 303 232 00	spring		3							
20	900 075 352 02	hexagon-head bolt		3							
22/1	930 303 131 00	detent		5							
23/1	999 501 028 30	plug		1							
24	900 308 026 00	roll pin 3,5 X 22		5							
25	930 301 133 00	guide ring		1							
26	* 930 302 332 00	shaft seal		1							
27	930 302 053 00	pipe		1							
28	* 999 701 440 40	o-ring		1							
- - - E N D - - -											

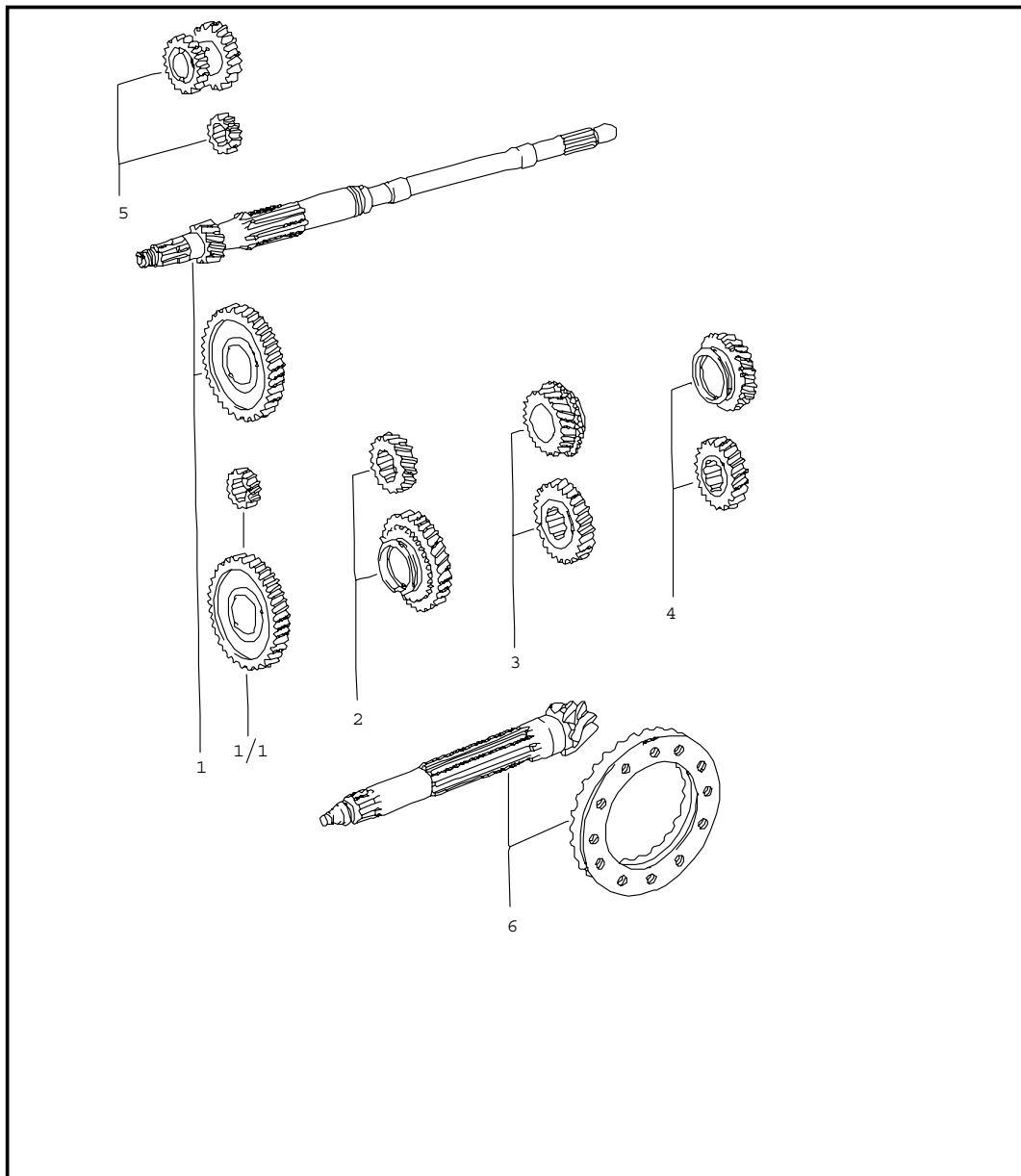
Model	Year	MG	SG	Illustration	Restrictions	Update	10:01	21.08.2006	PORSCHE	PET	PORSCHE
911t	77	3	02	302-05		203					

Pos	Part Number	Name	Remarks	Qty	Model
		gear housing transmission cover			
(1)	930 301 911 00	gear housing		1	
2	999 062 139 02	stud M 8 X 26		9	
(2)	999 062 007 02	stud M 8 X 22		1	
(2)	999 062 052 02	stud M 8 X 42		1	
(2)	999 062 010 02	stud M 8 X 35		2	
3	900 012 110 00	straight pin 10 M 6 X 14		2	
(4)	999 062 009 02	stud M 8 X 28		1	
5	999 110 025 00	cylindrical-roller bearing		1	
6	999 110 076 00	cylindrical-roller bearing		1	
7	900 111 001 00	snap ring SP 62		2	
8	999 152 031 01	snap ring SB 68		2	
9	914 301 307 00	bolt		1	
10	900 031 001 02	washer B 8,4		1	
11	900 064 009 02	screw plug		1	
12	900 031 014 30	washer 8,4		10	
(12)	N 012 241 8	spring washer B 8		10	
13	900 076 025 02	hexagon nut M 8		10	
14/1	930 303 230 08	spring		1	
16/1	930 303 135 01	detent		1	
20/1	999 504 107 00	threaded insert heli-coil		1	
20/2	930 303 253 01	screw plug		1	

Model	Year	MG	SG	Illustration	Restrictions	Update	10:01	21.08.2006	PORSCHE	PET	PORSCHE
911t	77	3	02	302-05		203					

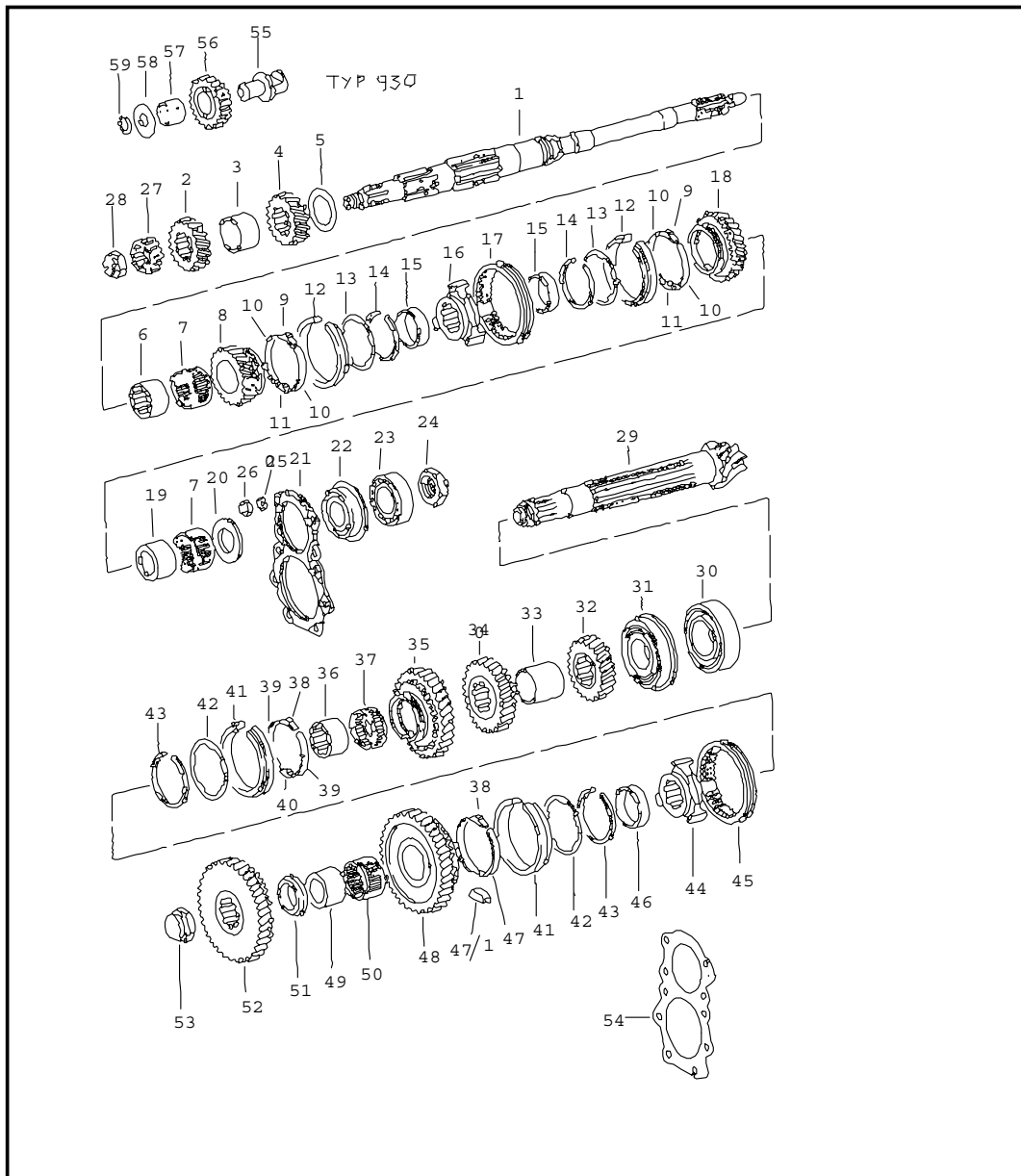
Pos	Part Number	Name	Remarks	Qty	Model	Pos	Part Number	Name	Remarks	Qty	Model
21	930 301 191 00	gasket		1							
(22)	930 301 903 00	transmission cover		1							
(23)	999 062 007 02	stud M 8 X 22		4							
26 *	999 113 185 40	shaft seal		1							
(35) *	930 301 351 00	gasket		1							
36	901 423 369 00	retaining bracket		1							
37	915 301 369 00	clip		1							
38	900 031 014 30	washer 8,4		9							
(38)	N 012 241 8	spring washer B 8		9							
39	900 076 025 02	hexagon nut M 8		9							
40	999 611 920 20	ground strap		1							
41	999 151 022 02	washer 20 X 8,4 X 2		1							
42/1	930 303 175 01	pin		1							
42/2	999 041 503 01	locking ring		1							
43	914 613 541 02	back-up light switch		1							
44	914 613 491 00	rubber cap		1							
45	930 302 228 00	bolt		1							
		- - - E N D - - -									

Model	Year	MG	SG	Illustration	Restrictions	Update	10:02	21.08.2006	PORSCHE	PET	PORSCHE
911t	77	3	03	303-00		203					



Pos	Part Number	Name	Remarks	Qty	Model
		gear sets 4-speed transmission			930/30/32
1/1	930 302 901 05	gear set 1st gear Z = 16:36 (FA)		1	
2	930 302 902 02	gear set 2nd gear Z = 23:30 (NU)		1	
3	930 302 903 02	gear set 3rd speed Z = 28:25 (SP)		1	
4	930 302 904 01	gear set 4th speed Z = 32:21 (WL)		1	
(6)	930 302 911 01	ring gear and pinion shaft 9:38		1	930/30
(6)	930 302 911 02	ring gear and pinion shaft 9:36		1	930/32
		transmission			930/33
1/1	930 302 901 06	gear set 1st gear Z = 16:36 (FA)		1	
2	930 302 902 04	gear set 2nd gear Z = 23:30 (NU)		1	
3	930 302 903 02	gear set 3rd speed Z = 28:25 (SP)		1	
4	930 302 904 01	gear wheel pair 4th speed Z = 32:21 (WL)		1	
6	930 302 911 01	ring gear and pinion shaft 9:38		1	
		- - - E N D - - -			

Model	Year	MG	SG	Illustration	Restrictions	Update	10:02	21.08.2006	PORSCHE	PET	PORSCHE
911t	77	3	03	303-05		203					



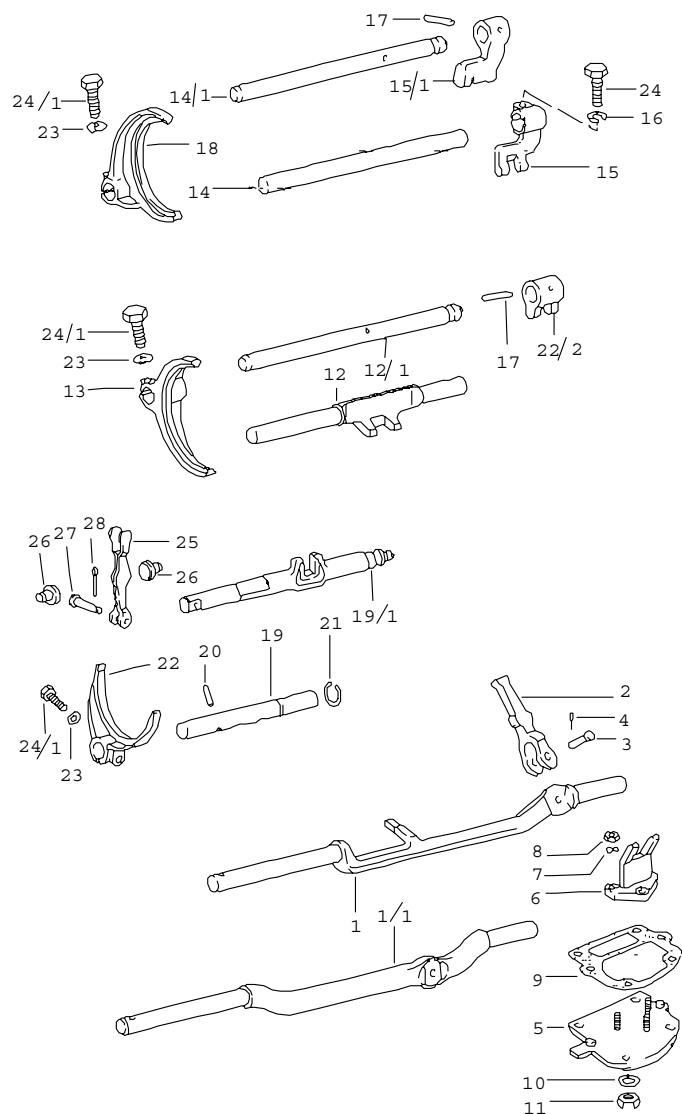
Pos	Part Number	Name	Remarks	Qty	Model
		gear sets see group 3/03/00			
1	930 302 101 00	drive shaft		1	
2	*	-	fixed gear wheel 1st gear	1	
3	930 302 265 00	spacer sleeve		1	
4	*	-	fixed gear wheel 2nd gear	1	
5	930 302 293 00	thrust washer		1	
6	930 302 263 00	bush 3rd speed		1	
7	999 201 470 00	needle cage		2	
8	*	-	loose gear wheel 3rd speed	1	
9	930 302 325 00	stone 3rd, 4th speed		2	
10	911 302 316 00	brake band 3rd, 4th speed		4	
11	911 302 317 01	stop 3rd, 4th speed		2	
12	930 302 303 00	synchroniser ring 3rd, 4th speed		3	
13	930 302 311 00	lock washer		2	
14	930 302 313 01	snap ring		2	
15	930 302 274 00	spacer ring		2	
16	930 302 402 00	guide sleeve		1	
17	911 302 411 20	shift sleeve		1	
18	*	-	loose gear wheel 4th speed		
19	930 302 264 00	bush 4th speed		1	
20	930 302 291 00	thrust washer		1	
21	930 302 121 00	tensioning plate		1	
22	999 052 030 00	four-point bearing		1	

Model	Year	MG	SG	Illustration	Restrictions	Update	10:02	21.08.2006	PORSCHE	PET	PORSCHE
911t	77	3	03	303-05		203					

Pos	Part Number	Name	Remarks	Qty	Model	Pos	Part Number	Name	Remarks	Qty	Model
23	930 302 391 00	cylindrical-roller bearing		1		43	930 302 333 01	snap ring		2	
24	930 302 281 00	collar nut		1		44	930 302 401 00	guide sleeve		1	
25	900 027 015 02	lock ring		10		45	930 302 411 00	shift sleeve		1	
26	900 076 025 02	hexagon nut M 8		10		(45)	930 302 411 01	shift sleeve		1	930/33
27	930 302 221 00	reverse gear wheel 1		1		46	930 302 271 00	spacer ring		1	
28	930 302 451 00	collar nut		1		47	928 302 319 08	double barricade tape 1st gear		1	
29 *	-	pinion shaft		1		47/1	928 302 320 01	stop 1st gear		1	
30	999 110 146 00	cylindrical-roller bearing		1		48 *	-	loose gear wheel 1st gear		1	
31	917 301 391 00	four-point bearing		1		49	930 302 261 00	inner ring		1	
32 *	-	fixed gear wheel 4th speed		1		50	999 201 156 00	needle cage		1	
33	930 302 266 02	spacer ring		1		51	930 302 292 00	thrust washer		1	
34 *	-	fixed gear wheel 3rd speed		1		52	930 302 223 00	reverse gear wheel 3		1	
35 *	-	loose gear wheel 2nd gear		1		53	930 302 453 00	collar nut		1	
36	930 302 262 00	bush 2nd gear		1		54	915 302 268 03	adjusting shim 0,10 MM		X	
37	999 201 047 00	needle cage		2		(54)	915 302 268 04	adjusting shim 0,15 MM		X	
38	930 302 315 00	stone 1st/2nd gear		2		(54)	915 302 268 05	adjusting shim 0,20 MM		X	
(38)	930 302 316 00	stone 1st gear		1	930/33	55	930 302 269 01	sleeve		1	
39	915 302 316 01	brake band 2nd gear		2		56	930 302 222 00	reverse gear wheel 2		1	
(39)	928 302 318 02	double barricade tape 2nd gear		2	930/33	57	999 201 115 00	needle cage		1	
40	930 302 321 00	stop 2nd gear		1		58	930 302 229 00	washer		1	
(40)	928 302 322 00	stop 2nd gear		1	930/33	59	999 152 053 01	snap ring		1	
41	930 302 301 00	synchroniser ring		2				- - - E N D - - -			
42	930 302 331 00	lock washer		2							

Model	Year	MG	SG	Illustration	Restrictions	Update	10:02	21.08.2006	PORSCHE	PET	PORSCHE
911t	77	3	04	304-00		203					

Pos	Part Number	Name	Remarks	Qty	Model
		shift rods forks			
1/1	930 303 132 00	gear shift rod		1	
(2)	930 303 133 00	shift lever		1	
3	901 303 171 01	bolt		1	
4	N 012 512 1	cotter pin 2 X 12		1	
5	915 303 023 02	cover		1	
(6)	930 303 129 02	fork		1	
7	N 012 006 4	lock ring B 6		3	
8	900 076 010 02	hexagon nut M 6		3	
9	* 915 303 225 00	gasket		1	
10	900 031 014 30	washer 8,4		4	
(10)	N 012 241 8	spring washer		4	
11	900 076 025 02	hexagon nut M 8		4	
12/1	930 303 101 01	gear shift rod for 1st/2nd gear		1	
12/2	930 303 111 03	fork		1	
13	915 303 111 00	shift fork for 1st/2nd gear		1	
14/1	930 303 103 01	gear shift rod for 3rd, 4th speed		1	
15/1	930 303 115 03	fork		1	
17	900 309 003 00	roll pin 5 X 24		2	
(18)	930 303 112 02	shift fork for 3rd, 4th speed		1	
19/1	930 303 105 03	gear shift rod for reverse gear		1	

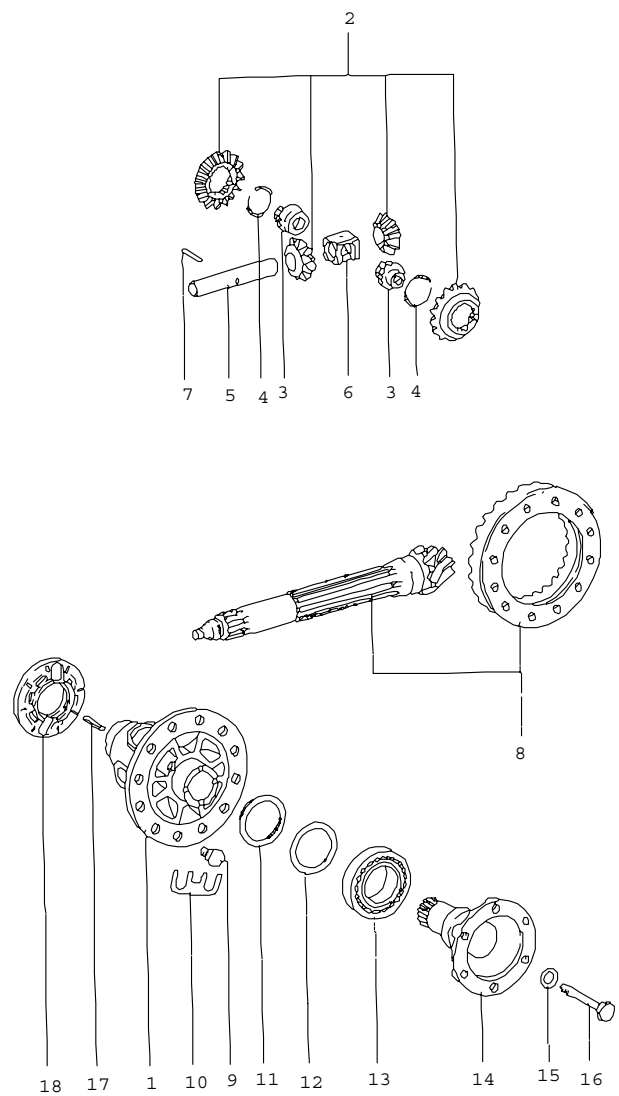


Model	Year	MG	SG	Illustration	Restrictions	Update	10:02	21.08.2006	PORSCHE	PET	PORSCHE
911t	77	3	04	304-00		203					

Pos	Part Number	Name	Remarks	Qty	Model	Pos	Part Number	Name	Remarks	Qty	Model
23	N 012 241 1	spring washer B 8 X 15		2							
24	900 075 136 02	hexagon-head bolt M 8 X 28		2							
25	930 303 019 00	reverse lever		1							
26	930 303 121 00	spacer bolt		2							
27	930 303 123 00	bolt		1							
28	900 021 003 02	cotter pin 1,5 X 12		1							
		- - - E N D - - -									

Model	Year	MG	SG	Illustration	Restrictions	Update	10:02	21.08.2006	PORSCHE	PET	PORSCHE
911t	77	3	05	305-00		203					

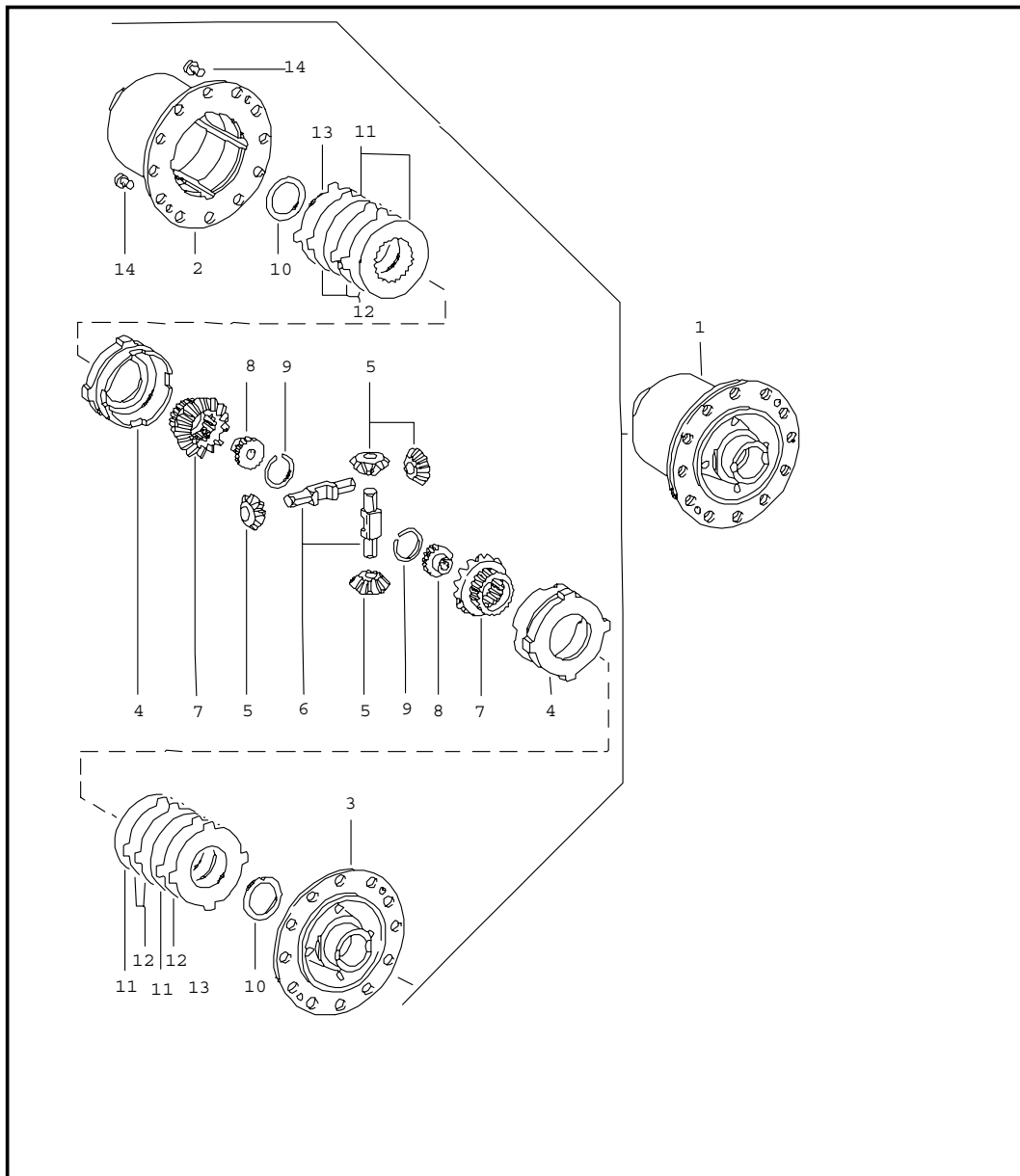
Pos	Part Number	Name	Remarks	Qty	Model
		differential			
1	925 332 212 01	housing		1	930/30/32/33
2	930 332 902 00	1 set differential pinions		1	
(3)	930 332 206 01	threaded disc		2	
5	911 332 207 00	differential bolt		1	
6	911 332 208 00	armature		1	
7	900 308 005 00	roll pin 6 X 28		1	
(8)	930 302 911 01	ring gear and pinion shaft 9 : 38		1	930/30/33
(8)	930 302 911 02	ring gear and pinion shaft 9 : 36		1	930/32
9	915 332 276 00	hexagon-head bolt		12	
(9)	928 332 276 03	hexagon-head bolt only together with limited-slip differential		12	
10	901 332 285 01	tab washer		6	
11	915 332 265 00	adjusting ring 2,4 MM		X	
(11)	915 332 265 01	adjusting ring 2,5 MM		X	
(11)	915 332 265 02	adjusting ring 2,6 MM		X	
(11)	915 332 265 03	adjusting ring 2,7 MM		X	
(11)	915 332 265 04	adjusting ring 2,8 MM		X	
(11)	915 332 265 05	adjusting ring 2,9 MM		X	
(11)	915 332 265 06	adjusting ring 3,0 MM		X	
(11)	915 332 265 07	adjusting ring 3,1 MM		X	
(11)	915 332 265 08	adjusting ring 3,2 MM		X	



Model	Year	MG	SG	Illustration	Restrictions	Update	10:02	21.08.2006	PORSCHE	PET	PORSCHE
911t	77	3	05	305-00		203					

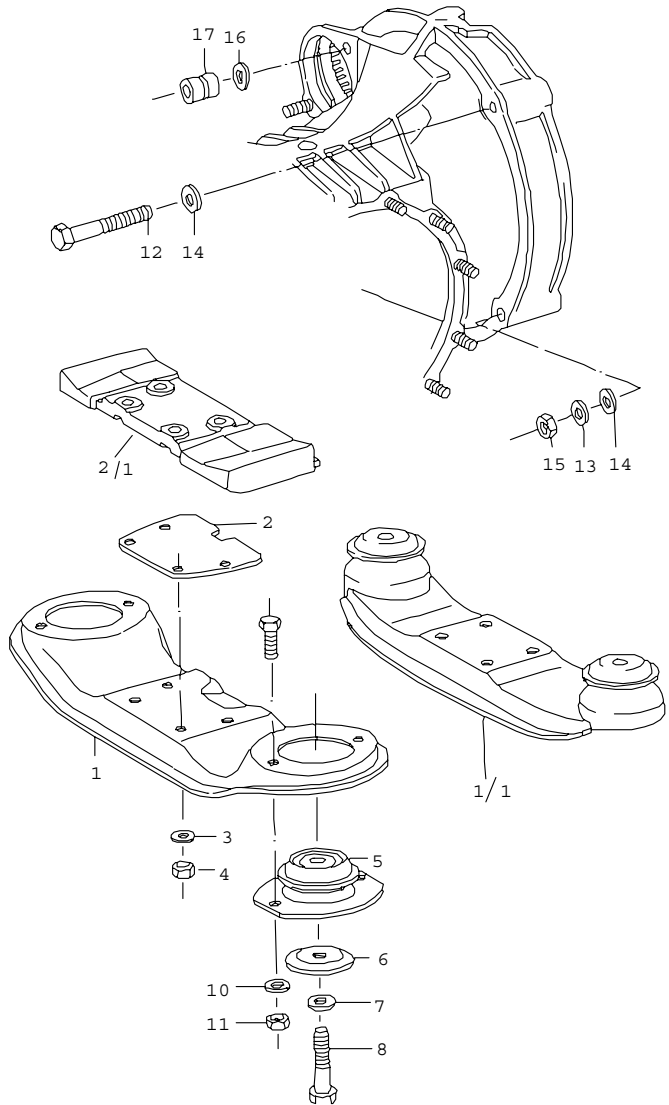
Pos	Part Number	Name	Remarks	Qty	Model	Pos	Part Number	Name	Remarks	Qty	Model
(11)	915 332 265 09	adjusting ring 3,3 MM		X							
(11)	915 332 265 10	adjusting ring 3,4 MM		X							
(11)	915 332 265 11	adjusting ring 3,5 MM		X							
(11)	915 332 265 12	adjusting ring 3,6 MM		X							
(11)	915 332 265 13	adjusting ring 3,7 MM		X							
12	915 332 263 00	washer		2							
13	999 059 027 00	taper roller bearing		1							
13	999 059 064 00	taper roller bearing		1							
(14)	930 332 209 01	joint flange		2							
(14)	930 332 209 00	joint flange only together with limited-slip differential		2							
15	901 332 261 11	washer		2							
16	901 332 275 12	elastic bolt		2							
17	900 095 078 00	tensioning sleeve 4 X 14		1							
18	915 318 045 03	magnet carrier disc		1	930/30/32						
		- - - E N D - - -									

Model	Year	MG	SG	Illustration	Restrictions	Update	10:03	21.08.2006	PORSCHE	PET	PORSCHE
911t	77	3	05	305-10		203					



Pos	Part Number	Name	Remarks	Qty	Model
		limited-slip differential			
(1)	930 332 053 01	limit.-slip different. 40% for 930/30/32/33		1	
4	901 332 511 11	thrust ring		2	
5	915 332 531 02	bevel pinion		4	
6	915 332 541 02	differential shaft		2	
(7)	930 332 535 00	shaft bevel gear		2	
(8)	930 332 206 00	threaded piece		2	
10	901 332 561 11	thrust washer		2	
11 A	901 332 551 21	inner disc 2,0 MM		4	
(11) A	901 332 551 22	inner disc 1,9 MM		X	
(11) A	901 332 551 23	inner disc 2,1 MM		X	
11	917 332 551 10	inner disc 2,0 MM		4	
12	917 332 552 10	disc with external splines 1,9 MM		6	
12	917 332 552 11	disc with external splines 2,0 MM		6	
12	917 332 552 12	disc with external splines 2,1 MM		6	
13	928 332 555 00	cup spring		2	
14	900 119 002 00	pan-head screw M 6 X 10		2	
-	900 095 078 00	tensioning sleeve 4 X 14		1	
		- - - E N D - - -			

Model	Year	MG	SG	Illustration	Restrictions	Update	10:03	21.08.2006	PORSCHE	PET	PORSCHE
911t	77	3	06	306-00		203					

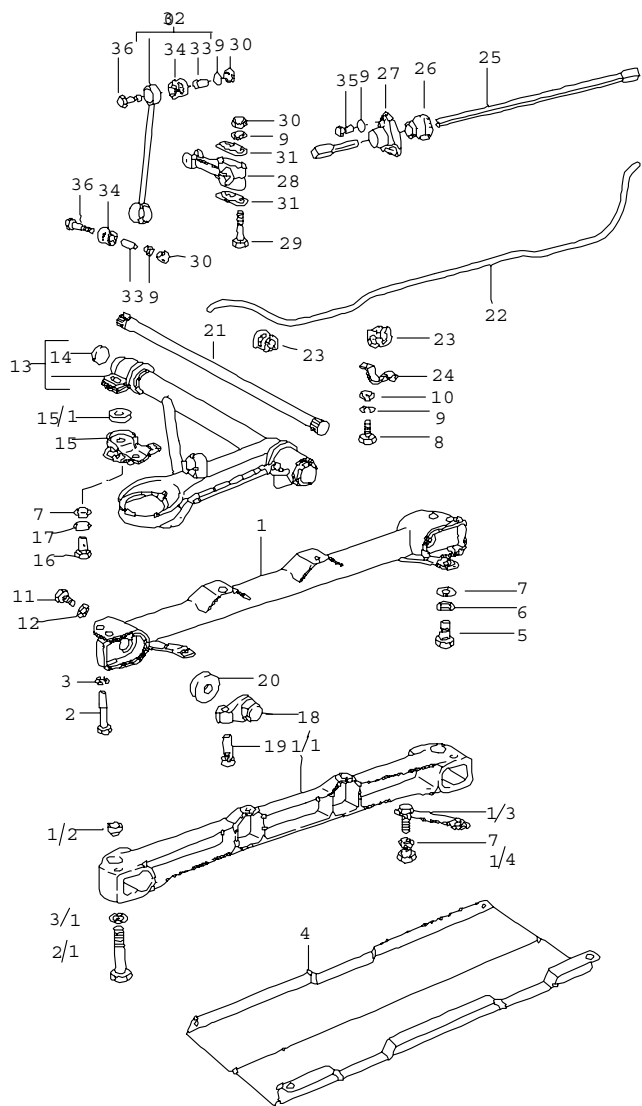


Pos	Part Number	Name	Remarks	Qty	Model
		transmission suspension			
1/1	930 375 031 00	transmission carrier		1	
(2)	930 375 311 00	plate		1	
3	900 031 001 02	washer 8,4		4	
4	999 090 101 02	mid-grip nut		4	
6	901 305 311 00	seat		4	
7	900 027 017 02	lock ring B 12		2	
(8)	930 375 317 00	hexagon-head bolt		2	
(12)	900 155 021 02	hexagon-head bolt M 10 X 80		1	
15	900 157 002 02	hexagon nut M 10		2	
(16)	900 028 032 02	spring washer B 10		5	
17	901 104 382 02	cylinder head nut		2	
		- - - E N D - - -			

Model	Year	MG	SG	Illustration	Restrictions	Update	10:03	21.08.2006
911t	77	3	98	398-00		203		

Pos	Part Number	Name	Remarks	Qty	Model
		repair kits			
>>	> 930 300 911 00	set of seals transmission - TYP 930 - comprising:		1	
-	915 301 139 00	sealing ring		1	
-	999 113 183 40	radial shaft seal 45 X 68 X 10		2	
-	999 701 437 40	o-ring		1	
-	930 302 332 00	shaft seal		1	
-	999 701 440 40	o-ring		1	
-	930 301 191 00	gasket		1	
-	999 113 185 40	shaft seal		1	
-	930 301 351 00	gasket		1	
-	915 303 225 00	gasket		1	
		- - - E N D - - -			

Model	Year	MG	SG	Illustration	Restrictions	Update	10:03	21.08.2006	PORSCHE	PET	PORSCHE
911t	77	4	01	401-00		203					

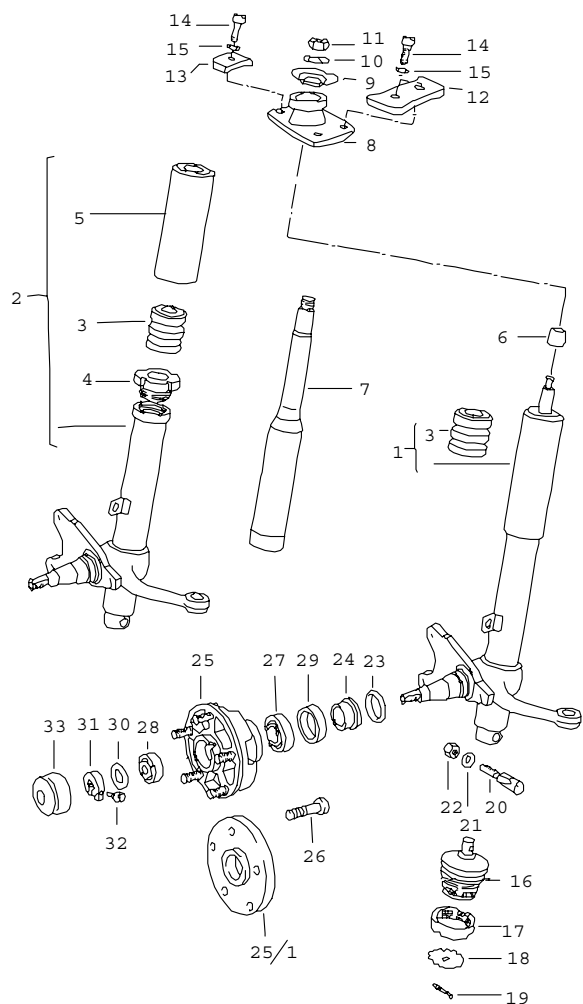


Pos	Part Number	Name	Remarks	Qty	Model
		front axle stabiliser auxiliary support light alloy			
1/1	911 341 013 10	auxiliary support		1	
1/2	930 341 135 00	adapter		2	
1/3	930 341 031 02	strut		2	
1/4	900 910 031 09	lock nut		2	
2/1	900 082 110 02	hexagon-head bolt M 12 X 1,5 X 85		2	
3/1	900 028 014 02	spring washer B 12		2	
(4)	930 341 021 02	protective plate		1	
5	N 014 721 2	pan-head screw M 10 X 25		2	
6	N 012 028 1	lock ring 10		2	
7	900 025 008 02	washer 10,5		10	
8	900 075 087 02	hexagon-head bolt M 8 X 16		2	
9	900 027 015 02	lock ring B 8		X	
10	900 025 007 02	washer 8,4		2	
(13)	930 341 901 00	control arm left	-76	1	
(13)	930 341 901 01	control arm left	77-	1	
(13)	930 341 902 00	control arm right	-76	1	
(13)	930 341 902 01	control arm right	77-	1	
(14)	900 040 008 01	cover plate		2	
15	911 341 037 02	protective bracket left		1	
(15)	901 341 159 00	protective bracket right		1	

Model	Year	MG	SG	Illustration	Restrictions	Update	10:03	21.08.2006	PORSCHE	PET	PORSCHE
911t	77	4	01	401-00		203					

Pos	Part Number	Name	Remarks	Qty	Model	Pos	Part Number	Name	Remarks	Qty	Model
(15)	911 341 038 02	protective bracket right	M	1		36	900 074 130 02	hexagon-head bolt M 8 X 40		4	
		overseas						- - - E N D - - -			
15/1	930 341 160 00	spacer		2							
(16)	N 040 281 1	hexagon-head bolt M 10 X 45		6							
17	900 027 016 02	lock ring B 10		6							
18	901 341 033 00	reverse lever		2							
19	911 341 115 00	adjusting screw		2							
20	901 341 475 00	gasket		2							
21	901 343 101 12	torsion bar left		1							
(21)	901 343 102 12	torsion bar right		1							
(22)	911 343 703 10	stabiliser \$ 20		1							
(23)	911 343 792 03	lever \$ 20		4							
24	911 343 775 00	clip		2							
25	911 343 705 00	stabiliser \$ 18		1							
26	901 343 792 04	lever		2							
27	901 343 754 01	stabiliser mounting		2							
28	911 343 083 00	lever		2							
29	900 074 135 02	hexagon-head bolt M 8 X 62		4							
30	900 076 025 02	hexagon nut M 3		8							
31	911 343 767 00	guide		4							
32	901 343 076 03	suspension		2							
33	901 343 737 00	spacer tube		4							
34	901 343 783 00	lever		4							
35	900 075 083 02	hexagon-head bolt M 8 X 25		6							

Model	Year	MG	SG	Illustration	Restrictions	Update	10:03	21.08.2006	PORSCHE	PET	PORSCHE
911t	77	4	02	402-00		203					



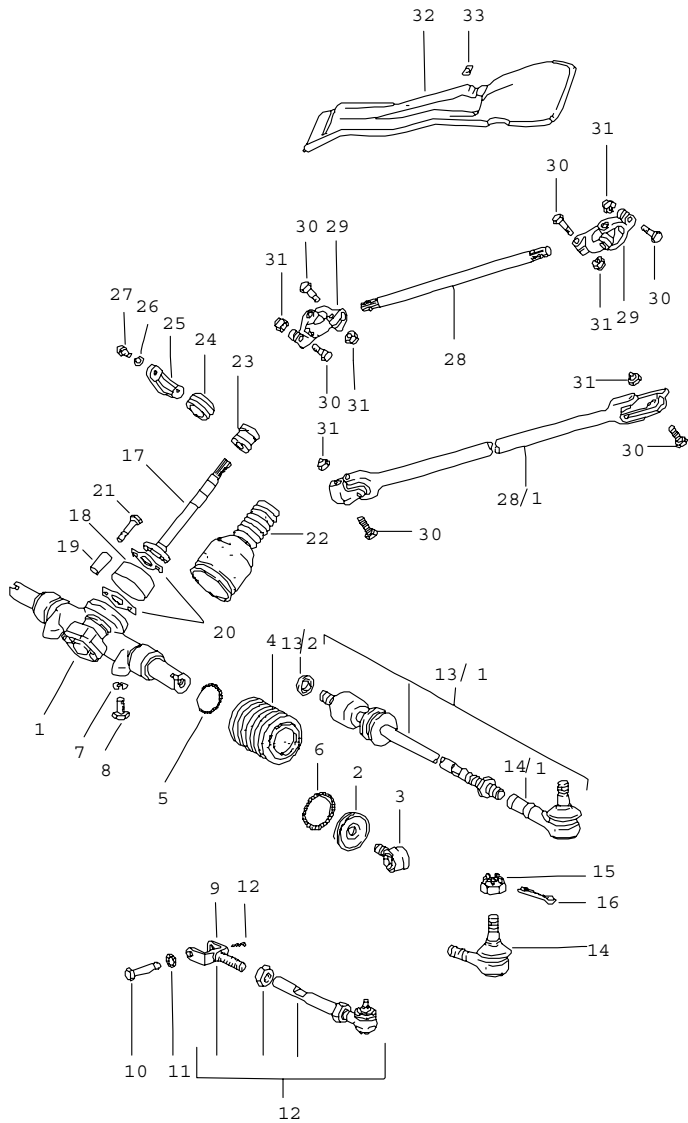
Pos	Part Number	Name	Remarks	Qty	Model
1	911 341 041 30	shock absorber strut			
		shock absorber strut - bilstein - for s-calliper	/L	X	
(1)	911 341 042 30	shock absorber strut - bilstein - for s-calliper	/R	X	
6	911 341 615 00	spacer	75-	2	
8	911 341 018 00	supporting mount with rubber mounting		2	
9	901 341 629 00	support washer		2	
10	900 038 002 01	tab washer 14		2	
11	N 011 021 3	hexagon nut M 14 X 1,5		2	
12	911 501 933 00	pressure plate		2	
13	911 501 934 00	pressure plate		2	
14	900 067 063 02	pan-head screw M 10 X 20		6	
15	999 523 103 01	lock washer		6	
16	911 341 049 01	ball joint		6	
17	901 341 425 00	grooved nut		2	
18	901 341 426 00	tab washer		2	
19	N 012 521 1	cotter pin		2	
20	911 341 119 06	threaded pin		2	
21	900 089 006 02	washer 8		2	
22	999 084 019 02	lock nut		2	
23	999 701 084 50	o-ring OR 25,3 - 2,4		2	
24	901 341 623 00	spacer ring		2	
(25)	930 341 065 00	front wheel hub with bolt		2	

Model	Year	MG	SG	Illustration	Restrictions	Update	10:03	21.08.2006	PORSCHE	PET	PORSCHE
911t	77	4	02	402-00		203					

Pos	Part Number	Name	Remarks	Qty	Model	Pos	Part Number	Name	Remarks	Qty	Model
25/1	477 501 701	spacer ring		2							
26	911 331 671 00	wheel bolt		10							
27	999 059 098 00	taper roller bearing inner		2							
28	999 059 065 00	taper roller bearing outer		2							
29	477 405 641	radial sealing ring		2							
30	911 341 663 00	thrust washer		2							
31	911 341 673 00	clamping nut		2							
32	999 119 001 01	pan-head screw		2							
33	911 341 684 00	cap		2							
		- - - E N D - - -									

Model	Year	MG	SG	Illustration	Restrictions	Update	10:04	21.08.2006	PORSCHE	PET	PORSCHE
911t	77	4	03	403-00		203					

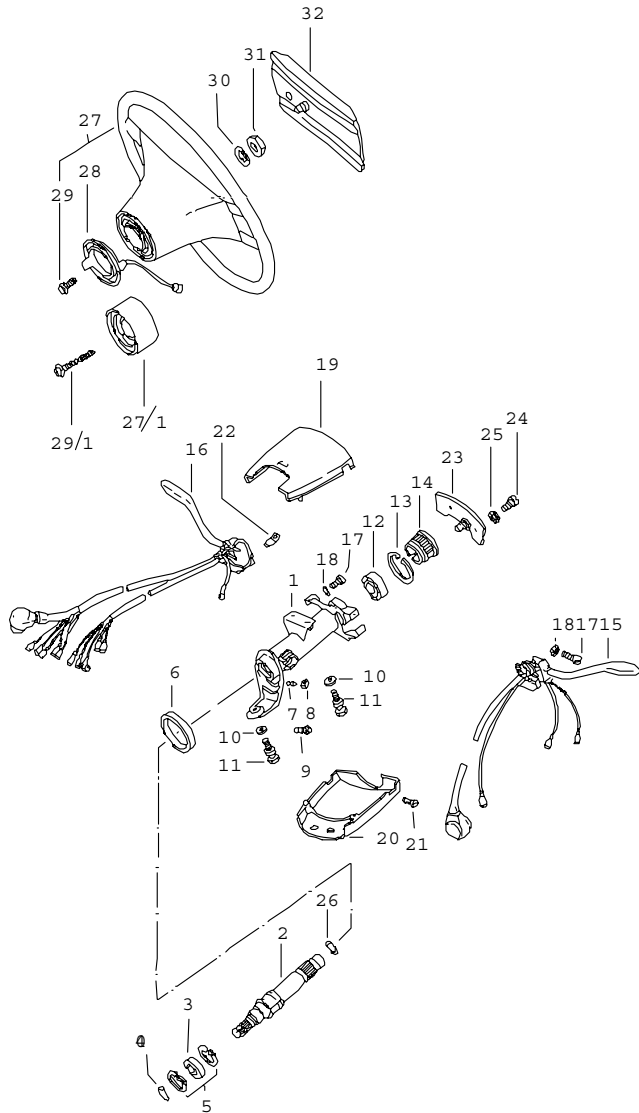
Pos	Part Number	Name	Remarks	Qty	Model
		steering gear steering linkage tie rod			
(1)	930 347 010 00	steering gear		1	
(4)	930 347 191 02	bellows		2	
5	901 347 308 00	retainer spring		2	
(7)	900 028 032 02	spring washer B 10		2	
8	N 010 275 3	hexagon-head bolt M 10 X 35		2	
13/1	930 347 031 01	tie rod		2	
13/2	930 347 313 01	washer		2	
14/1	930 347 322 00	ball joint		2	
15	N 011 210 1	castle nut M 10 X 1		2	
16	900 021 013 00	cotter pin 2 X 25		2	
17	901 347 210 03	steering shaft		1	
18	901 347 201 02	steering coupling		1	
19	901 347 215 00	stop bush		4	
20	901 347 248 00	tab washer		2	
21	900 074 129 02	hexagon-head bolt M 8 X 42		4	
22	901 347 393 01	sealing bellows		1	
23	901 347 241 01	steering shaft bearing	-76	1	
(23)	911 347 041 00	steering shaft bearing	77-	1	
-	911 347 029 00	needle-roller bearing		1	
24	901 347 223 03	lever		1	
25	901 347 221 00	housing		1	
26	900 186 002 02	pan-head screw M 8 X 15		2	
27	900 142 002 01	lock ring 8		2	
28	911 347 211 01	intermed. steering shaft	/LL	1	



Model	Year	MG	SG	Illustration	Restrictions	Update	10:04	21.08.2006	PORSCHE	PET	PORSCHE
911t	77	4	03	403-00		203					

Pos	Part Number	Name	Remarks	Qty	Model	Pos	Part Number	Name	Remarks	Qty	Model
28/1	911 347 024 02	intermed. steering shaft for cars with brake booster	/LL	1							
29	930 347 025 00	universal joint		2							
30	N 010 335 5	hexagon-head bolt M 8 X 35		4							
31	N 021 194 1	lock nut M 8		4							
32	901 347 067 00	cover	/LL	1							
33	999 507 209 01	speed nut		2							
		- - - E N D - - -									

Model	Year	MG	SG	Illustration	Restrictions	Update	10:04	21.08.2006	PORSCHE	PET	PORSCHE
911t	77	4	03	403-05		203					

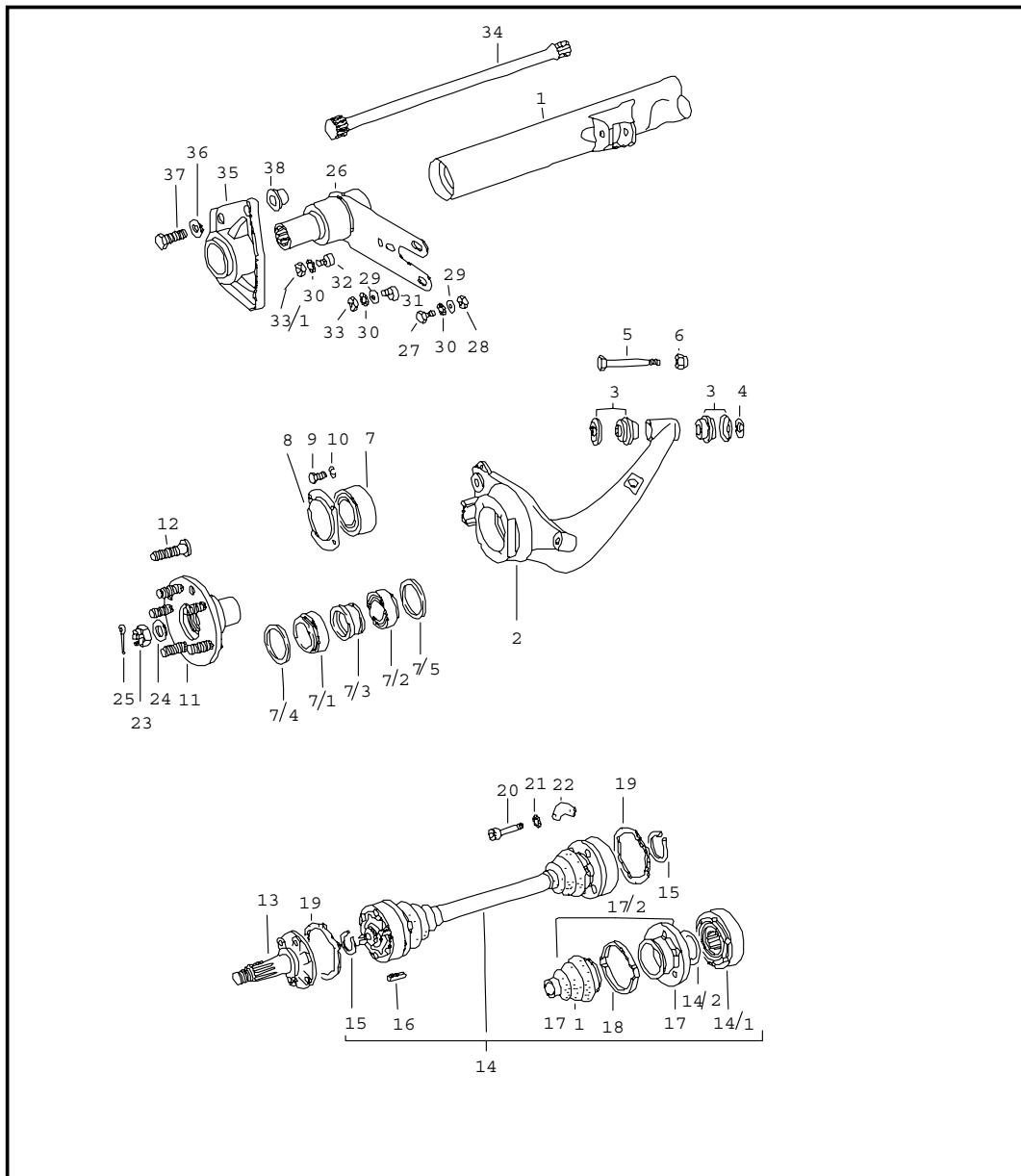


Pos	Part Number	Name	Remarks	Qty	Model
		steering wheel steering shaft bearing steering column switch			
1	911 347 073 03	steering outer tube F 91141 01770>> F 91141 11379>> F 91143 00709>> F 91143 10567>> F 91144 00288>> F 91144 10147>> F 91146 00583>> F 91146 10214>>	/LL	1	
2	911 347 061 02	steering shaft		1	
(2)	911 347 061 03	steering shaft only together with hub extension		1	
3	900 052 031 00	deep-groove ball bearing		1	
4	900 041 008 00	circlip 17 X 1		1	
5	900 042 008 00	circlip 35 X 1,5		2	
6	911 347 713 00	gasket		1	
7	900 228 002 02	threaded pin M 8 X 16	/LL	1	
8	900 076 044 02	hexagon nut M 8	/LL	1	
10	N 012 241 8	spring washer B 8		3	
11	901 347 753 00	shear bolt		3	
12	911 347 771 02	ball bearing		1	
13	999 041 102 01	circlip		1	
15	--- --- --- ---	direction indicator switch complete see group 9/03/10		1	
16	--- --- --- ---	wiper switch see group 9/03/10		X	
17	900 014 069 02	pan-head screw AM 3 X 8		8	

Model	Year	MG	SG	Illustration	Restrictions	Update	10:04	21.08.2006	PORSCHE	PET	PORSCHE
911t	77	4	03	403-05		203					

Pos	Part Number	Name	Remarks	Qty	Model	Pos	Part Number	Name	Remarks	Qty	Model
18	900 115 007 01	serrated lock washer A 3,2		8							
19	911 613 099 00	switch housing upper part		1							
20	911 613 312 00	switch housing lower part		1							
21	900 014 079 02	pan-head screw AM 3 X 10		2							
22	999 652 315 02	flat plug		1							
23	911 613 521 00	wiper contact		1							
24	900 014 046 02	pan-head screw M 4 X 10		2							
25	N 012 116 1	serrated lock washer A 4,3		2							
26	113 415 531	snap ring		1							
(27)	911 347 084 01	steering wheel \$ 380		1							
27/1	911 347 855 00	spacer ring only together with hub extension		1							
28 A	911 347 099 05	slip ring		1							
28	911 347 099 05	slip ring	M	1							
29	900 146 029 02	oval-head screw AM 3,5 X 10		3							
29/1	900 146 036 02	oval-head screw BM 3,5 X 40	M	3							
30	N 012 239 1	spring washer B 18		1							
31	900 078 007 02	hexagon nut M 18 X 1,5		1							
(32)	911 347 859 00	pad for horn for sports steering wheel	M	1							
- - - E N D - - -											

Model	Year	MG	SG	Illustration	Restrictions	Update	10:04	21.08.2006	PORSCHE	PET	PORSCHE
911t	77	5	01	501-00		203					



Pos	Part Number	Name	Remarks	Qty	Model
		rear axle			
(1)	930 331 010 01	rear-axle cross-tube	76-	1	
(2)	930 331 511 00	rear-axle trailing arm	/L	1	
(2)	930 331 512 00	rear-axle trailing arm	/R	1	
3	901 331 059 00	block and washer		4	
4	A N 011 534 4	washer 15		2	
5	900 082 064 02	hexagon-head bolt M 14 X 1,5 X 75		2	
6	999 084 014 02	hexagon nut M 14 X 1,5		2	
7/1	999 059 056 00	taper roller bearing		2	
7/2	999 059 047 00	taper roller bearing		2	
7/3	930 331 609 00	spacer sleeve		2	
7/4	999 113 235 40	shaft seal 65 X 85 X 8		2	
7/5	999 113 218 40	shaft seal 58 X 81,2 X 5		2	
(11)	930 331 065 03	rear-wheel hub with wheel bolt		2	
(12)	901 331 671 01	wheel bolt		10	
(13)	930 332 232 00	drive shaft		2	
(14)	930 332 037 00	drive shaft		2	
14/1	930 332 034 00	joint		4	
14/2	901 332 312 00	cup spring		4	
(15)	999 152 084 01	circlip		4	
(17)	928 332 097 00	joint flange		4	
17/1	901 332 293 12	dust bellows		4	
18	999 512 315 02	clamp 77 \$ X 6		4	
(19)	930 332 297 00	gasket		8	

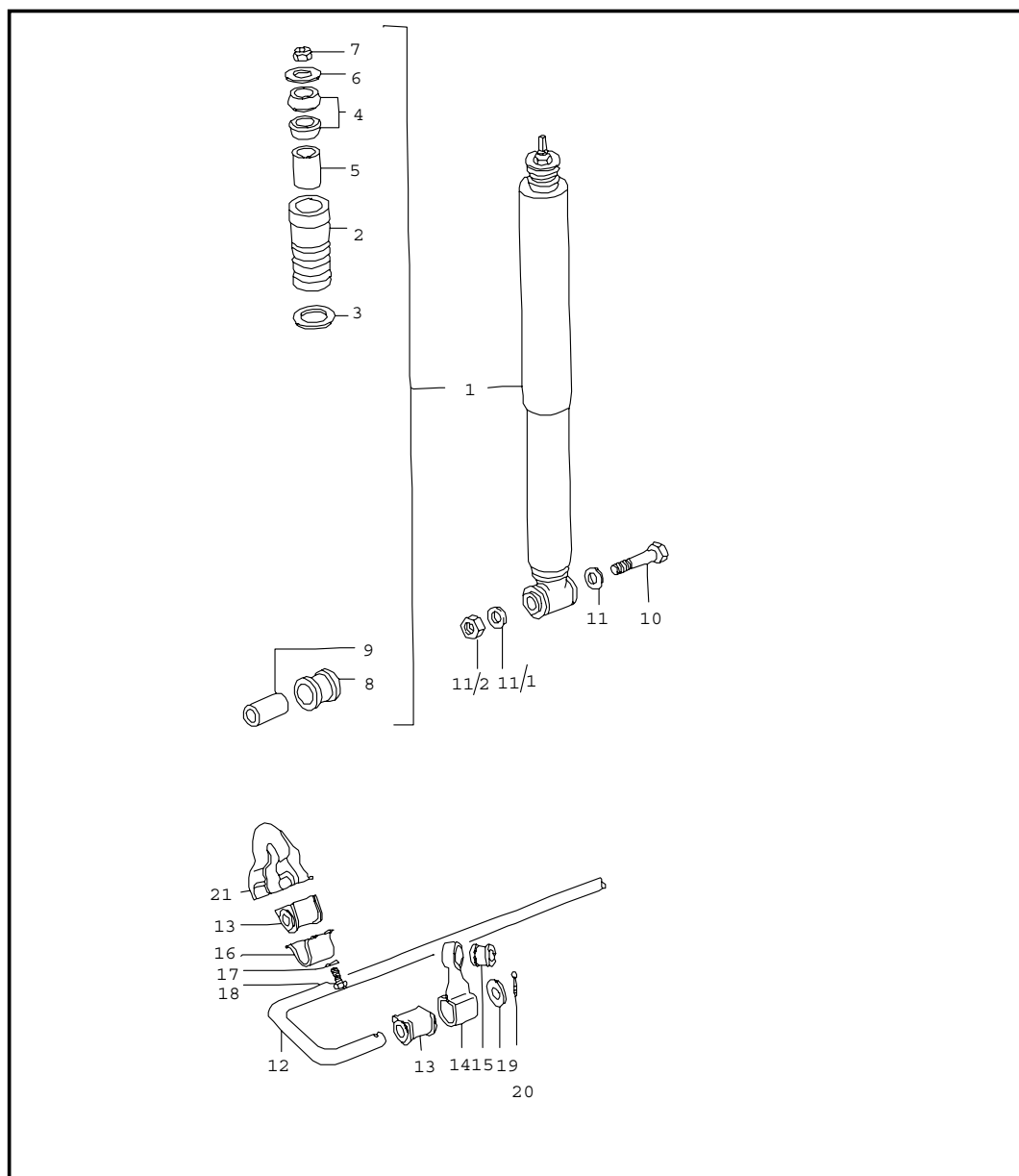
Model	Year	MG	SG	Illustration	Restrictions	Update	10:04	21.08.2006	PORSCHE	PET	PORSCHE
911t	77	5	01	501-00		203					

Pos	Part Number	Name	Remarks	Qty	Model	Pos	Part Number	Name	Remarks	Qty	Model	
(20)	900 067 118 01	pan-head screw M 10 X 60		24		-	911 333 303 00	eccentric screw F 91162 01873>> F 91162 11899>> F 91163 01742>> F 91163 11426>> F 91166 01022>> F 91166 10440>> F 91260 01839>> F 93067 00642>> F 93068 00494>>		2		
23	901 332 806 00	castle nut		2								
24	999 025 046 01	washer		2								
25	N 012 538 1	cotter pin 4 X 40		2								
26	901 333 003 01	strut F >>91162 01872 F >>91162 11898 F >>91163 01741 F >>91163 11425 F >>91166 01021 F >>91166 10439 F >>91260 01838 F >>93067 00641 F >>93068 00493		2		-	911 333 305 00	hexagon-head bolt F 91162 01873>> F 91162 11899>> F 91163 11742>> F 91163 11426>> F 91166 01022>> F 91166 10440>> F 91260 01839>> F 93067 00642>> F 93068 00494>>		2		
(26)	911 333 009 00	strut F 91162 01873>> F 91162 11899>> F 91163 01742>> F 91163 11426>> F 91166 01022>> F 91166 10440>> F 91260 01839>> F 93067 00642>> F 93068 00494>>		2		-	911 333 307 00	washer F 91162 01873>> F 91162 11899>> F 91163 11742>> F 91163 11426>> F 91166 01022>> F 91166 10440>> F 91260 01839>> F 93067 00642>> F 93068 00494>>		4		
-	900 910 092 02	lock nut F 91162 01873>> F 91162 11899>> F 91163 01742>> F 91163 11426>> F 91166 01022>> F 91166 10440>> F 91260 01839>> F 93067 00642>> F 93068 00494>>		4		-	900 075 043 02	hexagon-head bolt M 10 X 35 F 91162 01873>> F 91162 11899>> F 91163 01742>> F 91163 11426>> F 91166 01022>> F 91166 10440>> F 91260 01839>> F 93067 00642>> F 93068 00494>>		8		
-	911 331 107 01	spacer ring F 91162 01873>> F 91162 11899>> F 91163 01742>> F 91163 11426>> F 91166 01022>> F 91166 10440>> F 91260 01839>> F 93067 00642>> F 93068 00494>>		2		27	900 083 019 08	hexagon-head bolt M 12 X 1,5 X 35			4	
						28	N 011 020 8	hexagon nut M 12 X 1,5			4	
						29	901 333 143 01	washer			10	
						30	999 523 109 02	lock washer M 12			8	
						31	901 333 133 04	eccentric			2	

Model	Year	MG	SG	Illustration	Restrictions	Update	10:04	21.08.2006	PORSCHE	PET	PORSCHE
911t	77	5	01	501-00		203					

Pos	Part Number	Name	Remarks	Qty	Model	Pos	Part Number	Name	Remarks	Qty	Model
32	901 333 133 05	eccentric		2							
33	900 078 017 02	hexagon nut M 12 X 1,5		2							
33/1	900 076 016 02	hexagon nut M 12 X 1,5		2							
(34)	911 333 101 03	torsion bar 26 \$	/L	1							
(34)	911 333 102 03	torsion bar 26 \$	/R	1							
35	901 333 153 00	housing		2							
36	900 025 008 02	washer 10,5		8							
37	900 075 042 02	hexagon-head bolt M 10 X 28		8							
38	901 331 107 00	spacer ring		2							
		- - - E N D - - -									

Model	Year	MG	SG	Illustration	Restrictions	Update	10:04	21.08.2006	PORSCHE	PET	PORSCHE
911t	77	5	02	502-00		203					



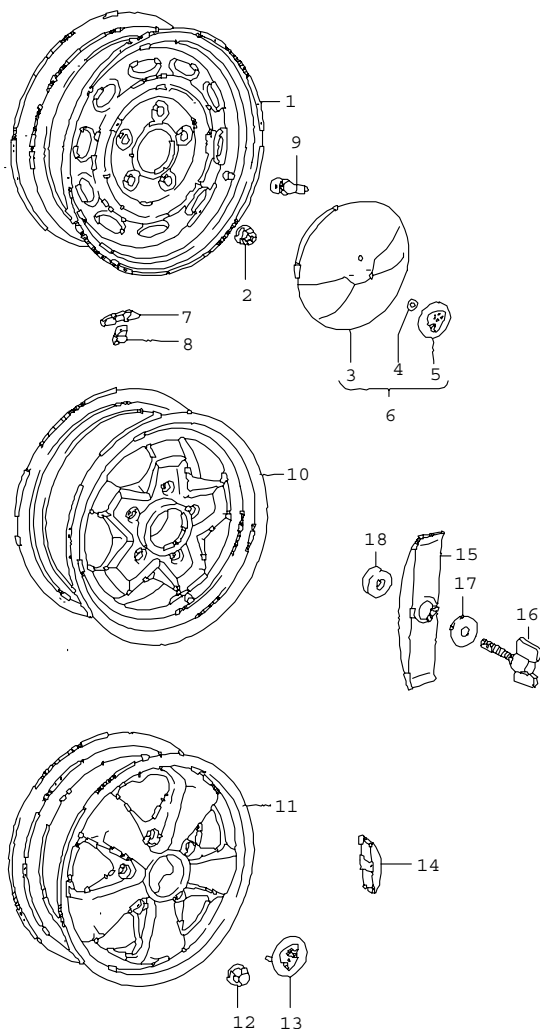
Pos	Part Number	Name	Remarks	Qty	Model
1	911 333 051 42	vibration damper stabiliser	75-	2	
(2)	911 333 301 01	additional spring	75-	2	
3	911 333 511 00	washer - boge - - koni - - bilstein -		2	
4	911 333 521 00	ring		4	
5	911 333 522 00	bush		2	
6	911 333 523 00	washer - boge - - koni - - bilstein -		2	
7	900 084 013 02	lock nut M 10 X 1		2	
9	911 333 513 00	bush		2	
(10)	900 082 062 02	hexagon-head bolt M 14 X 1,5 X 130		2	
11	999 025 062 02	washer		4	
11/1	N 011 534 4	washer		2	
11/2	999 084 014 02	hexagon nut M 14 X 1,5		2	
(12)	930 333 701 00	stabiliser \$ 18		1	
13	911 333 793 02	lever		4	
14	901 333 731 01	plate	/L	1	
(14)	901 333 732 01	plate	/R	1	
15	901 343 782 00	bush		2	
16	901 333 753 01	supporting bow		2	
17	900 027 015 02	lock ring B 8		4	
18	N 010 239 11	hexagon-head bolt M 8 X 18		4	

Model	Year	MG	SG	Illustration	Restrictions	Update	10:04	21.08.2006	PORSCHE	PET	PORSCHE
911t	77	5	02	502-00		203					

Pos	Part Number	Name	Remarks	Qty	Model	Pos	Part Number	Name	Remarks	Qty	Model
19	N 011 530 1	washer 19		2							
20	N 012 536 1	cotter pin 4 X 30		2							
21	911 501 180 00	bracket		2							
		- - - E N D - - -									

Model	Year	MG	SG	Illustration	Restrictions	Update	10:05	21.08.2006	PORSCHE	PET	PORSCHE
911t	77	6	01	601-00		203					

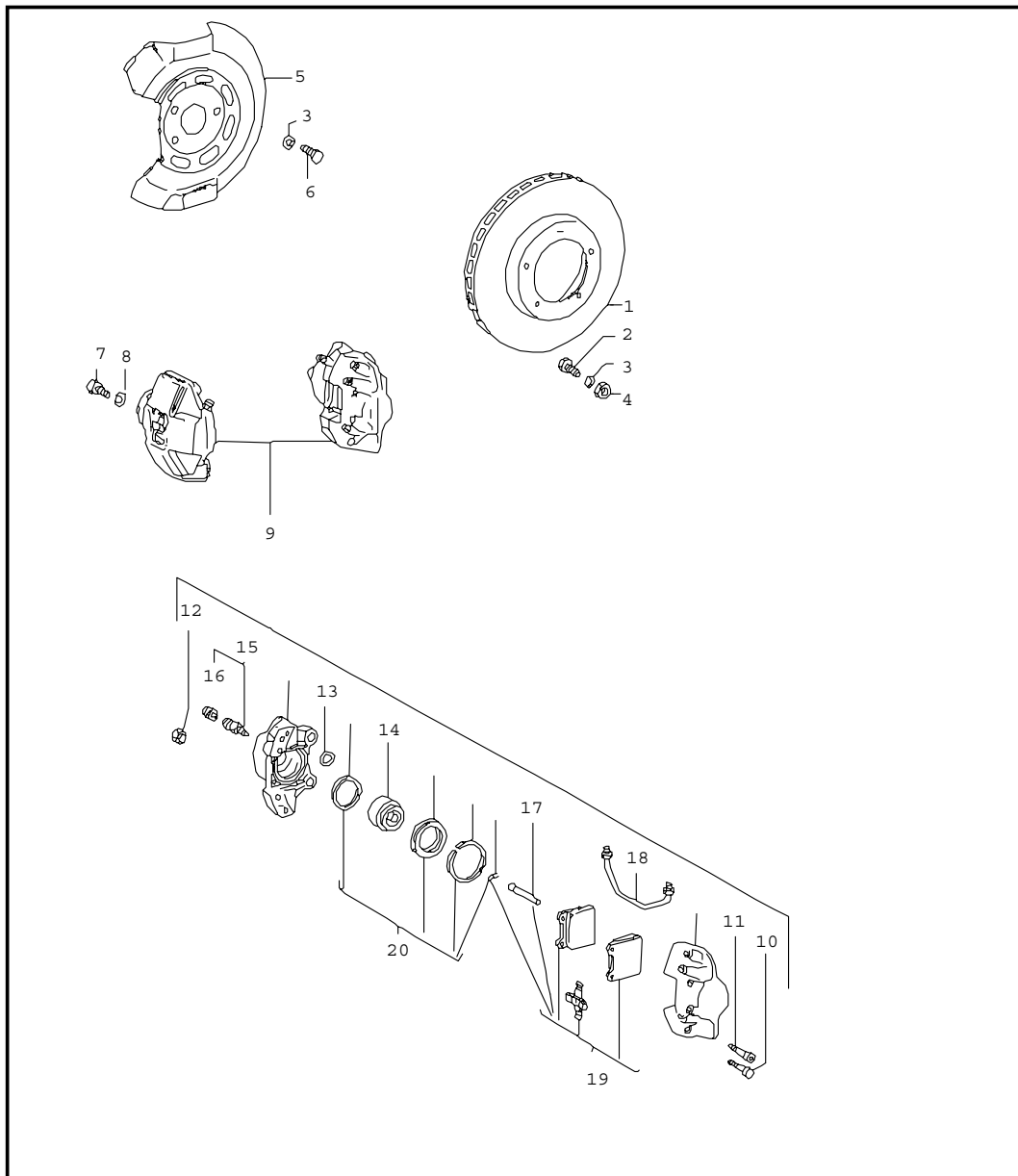
Pos	Part Number	Name	Remarks	Qty	Model
		wheels			
9	900 265 001 50	rubber valve		X	
-	911 361 561 01	valve support		4	
(11)	911 361 020 93	alloy wheel 7 J X 15 light alloy forged bead of rim polished		X	
(11)	911 361 020 93	alloy wheel 7 J X 15 light alloy forged bead of rim polished	WW 77-	2	
(11)	911 361 020 94	alloy wheel 8 J X 15 light alloy forged bead of rim polished		2	
(11)	911 361 020 94	alloy wheel 8 J X 15 light alloy forged bead of rim polished	WW 77-	2	
(11)	911 362 115 00	alloy wheel 7 J X 16 light alloy forged black star bead of rim polished	77-	2	
(11)	911 362 117 00	alloy wheel 8 J X 16 light alloy forged black star bead of rim polished	77-	2	
12	999 182 003 36	wheel nut for light alloy wheels		20	
(13)	911 361 032 28	hub cap black	M	4	



Model	Year	MG	SG	Illustration	Restrictions	Update	10:05	21.08.2006	PORSCHE	PET	PORSCHE
911t	77	6	01	601-00		203					

Pos	Part Number	Name	Remarks	Qty	Model	Pos	Part Number	Name	Remarks	Qty	Model
(13)	SOW 911 038 11	hub cap black emblem coloured		4				- - - E N D - - -			
14	-	balance weight ZUM ANKLEBEN for light alloy disc wheel		X							
-	901 361 410 00	balance stick-on weight 10 G		X							
-	901 361 411 00	balance stick-on weight 20 G		X							
-	901 361 412 00	balance stick-on weight 30 G		X							
-	901 361 413 00	balance stick-on weight 40 G		X							
-	901 361 414 00	balance stick-on weight 50 G		X							
-	901 361 415 00	balance stick-on weight 60 G		X							
-	901 361 417 00	balance stick-on weight 80 G		X							
-	911 361 028 11	emergency wheel GOODRICH 165 - 15 / 4.75 / 10.00 - 15 SST		1							
-	911 361 510 01	small compressor electric		1							
-	996 361 521 00	boot for impeller		1							
-	911 722 201 02	tyre pressure gauge		1							
15 A	911 361 633 01	clamping bow		1							
(15)	911 361 633 01	clamping bow		1							
16	999 074 106 02	winged screw M 8 X 25		1							
17	900 151 008 02	washer B 8,4		1							
18	803 813 583	washer		1							

Model	Year	MG	SG	Illustration	Restrictions	Update	10:05	21.08.2006	PORSCHE	PET	PORSCHE
911t	77	6	02	602-00		203					



Pos	Part Number	Name	Remarks	Qty	Model
		disc brake front			
2	900 075 079 02	hexagon-head bolt M 8 X 22		10	
3	N 012 241 1	spring washer B 8 X 15		16	
4	900 076 025 02	hexagon nut M 8		10	
(5)	901 351 801 17	protective plate		2	
6	N 010 235 3	hexagon-head bolt M 8 X 10		6	
7	900 083 023 02	hexagon-head bolt M 12 X 1,5 X 30		4	
8	900 028 014 01	spring washer B 12		4	
9	911 351 935 00	fixed calliper		1	
(9)	911 351 936 00	fixed calliper		1	
(14)	911 351 918 00	piston		4	
(15)	911 351 919 00	ventilation valve		4	
16	901 351 927 10	dust boot		X	
(17)	901 351 986 00	retaining pin		4	
18	901 351 991 00	compensating line	/L	1	
(18)	901 351 992 00	compensating line	/R	1	
(19) A	911 351 944 05	set of brake pads - energit - - textar -		1	
(19)	911 351 950 07	set of brake pads - textar -		1	
-	911 351 951 03	mounting parts 1 set		1	
(20) *	901 351 998 00	set of seals		2	
		- - - E N D - - -			

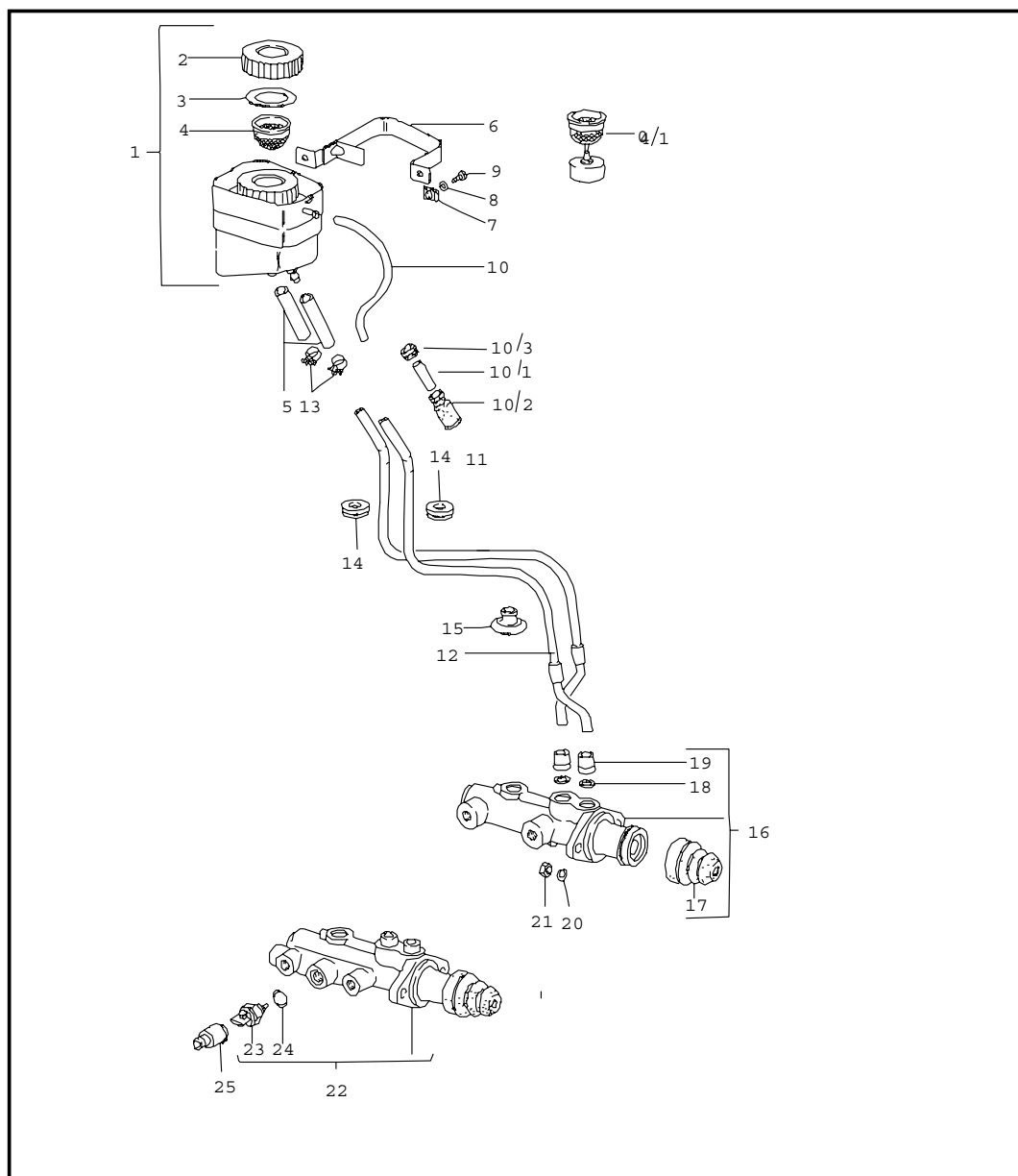
Model	Year	MG	SG	Illustration	Restrictions	Update	10:05	21.08.2006	PORSCHE	PET	PORSCHE
911t	77	6	03	603-00		203					

Pos	Part Number	Name	Remarks	Qty	Model
		disc brake rear handbrake			
1	901 352 041 14	brake disc		2	
2	900 013 037 02	countersunk-head screw AM 6 X 12		4	
(3)	930 352 801 02	protective plate		2	
(4)	900 075 085 02	hexagon-head bolt M 8 X 20		6	
5	N 012 241 8	spring washer B 8 X 15		6	
6	900 076 025 02	hexagon nut M 8		2	
7	N 010 137 2	hexagon-head bolt M 12 X 1,5 X 35		4	
8	900 027 017 02	lock ring B 12		4	
9	901 351 964 11	set of seals without set of brake pads	/L	1	
(9)	911 352 908 00	m calliper without set of brake pads	/R	1	
10	901 352 978 13	pan-head screw		4	
11	901 352 978 12	pan-head screw		4	
12	901 352 979 10	hexagon nut		8	
13	901 351 928 10	sealing ring		8	
15	901 352 977 10	ventilation valve complete		2	
16	901 351 927 10	dust boot		2	
17	901 352 991 01	retaining pin		4	
18	A 911 352 903 00	set of brake pads - textar -		1	
18	911 352 950 05	set of brake pads - textar -		1	
-	911 352 951 00	mounting parts 1 set		1	

Model	Year	MG	SG	Illustration	Restrictions	Update	10:05	21.08.2006	PORSCHE	PET	PORSCHE
911t	77	6	03	603-00		203					

Pos	Part Number	Name	Remarks	Qty	Model	Pos	Part Number	Name	Remarks	Qty	Model
19	* 911 352 998 00	set of seals for fixed calliper without disk balancing.		2							
(20)	930 352 081 02	supporting plate		2							
21	901 352 097 12	brake shoe		4							
22	901 352 959 10	roll pin		4							
23	901 352 957 10	compression spring		4							
24	901 352 955 10	concave washer		4							
25	911 352 944 00	bush		2							
26	911 352 098 00	adjusting screw complete		2							
27	901 352 932 10	return spring		2							
28	901 352 954 10	return spring		2							
29	911 352 090 00	expanding bow		4							
30	901 352 953 10	compression spring		2							
31	930 331 611 04	spacer ring		2							
		- - - E N D - - -									

Model	Year	MG	SG	Illustration	Restrictions	Update	10:05	21.08.2006	PORSCHE	PET	PORSCHE
911t	77	6	04	604-00		203					

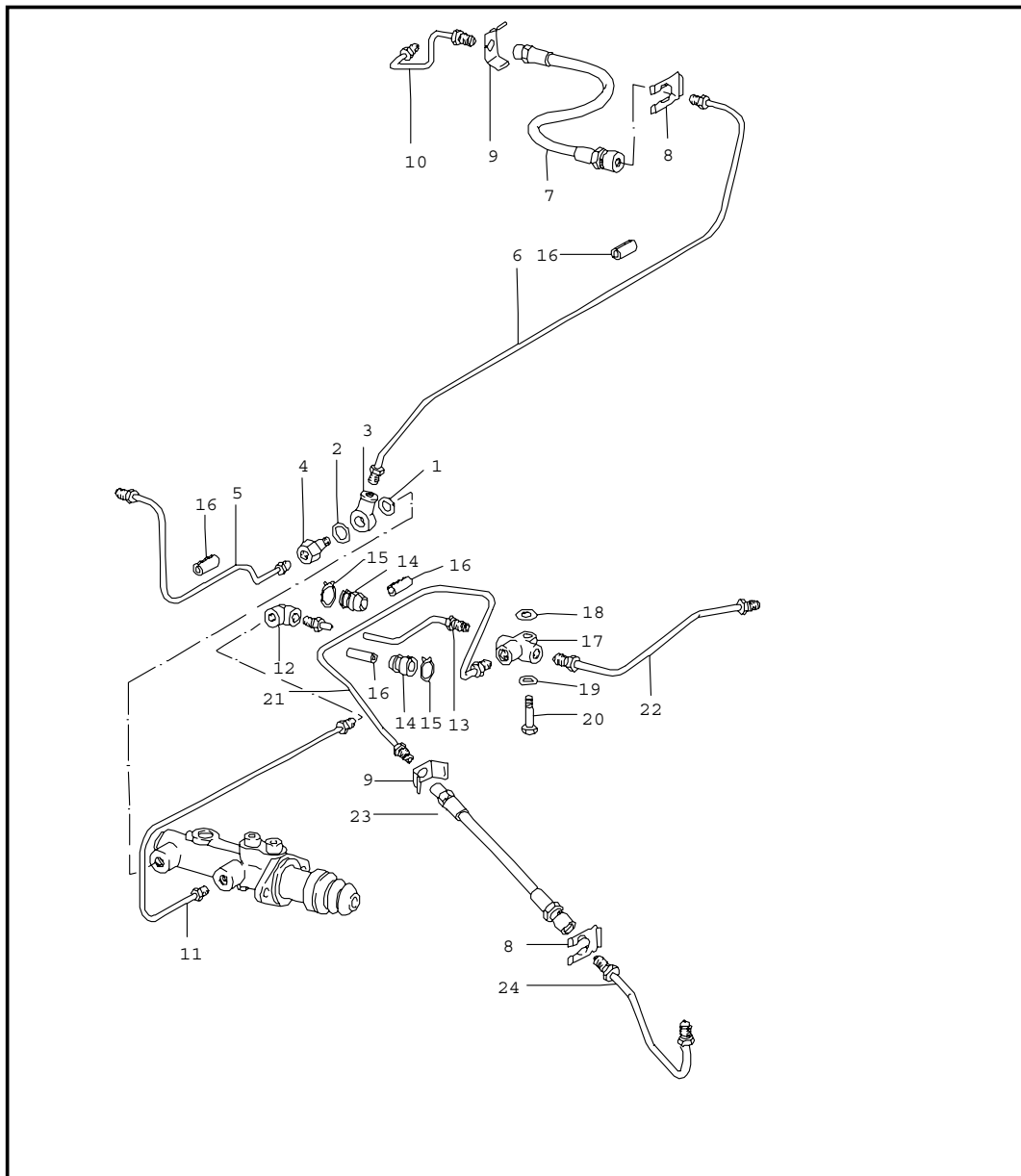


Pos	Part Number	Name	Remarks	Qty	Model
		brake master cylinder for cars without brake booster			
(1)	911 355 013 13	brake fluid reservoir	-76-	1	
(2)	911 355 905 02	cover	-76-	1	
3	901 355 908 00	gasket		1	
4	211 611 381 B	strainer		1	
5	901 355 927 02	hose piece 50 MM	/LL	2	
6	901 355 015 00	retaining strap		1	
7	N 015 429 2	speed nut B 4,2		2	
8	900 151 028 02	washer B 4,3		2	
9	900 143 007 02	tapping screw B 4,2 X 13		2	
-	N 020 361 2	hose 4 X 1,5		*	
10	-	1330 MM	-76	1	
-	N 020 361 2	hose 4 X 1,5		*	
10	-	670 MM	-77-	1	
10/1	911 201 157 01	sleeve 4 X 5 X 20		1	
10/1	911 355 155 00	pipe 5 X 3 X 1280	-76	1	
10/2	999 659 015 40	protection cap	-76	1	
10/3	111 971 911 A	rubber sleeve		1	
11	PCG 355 061 00	connecting line brake circuit front	/LL	1	
12	PCG 355 063 00	connecting line brake circuit rear	/LL	1	
13	999 512 055 02	hose clamp		2	
14	999 702 076 50	rubber sleeve		2	

Model	Year	MG	SG	Illustration	Restrictions	Update	10:05	21.08.2006	PORSCHE	PET	PORSCHE
911t	77	6	04	604-00		203					

Pos	Part Number	Name	Remarks	Qty	Model	Pos	Part Number	Name	Remarks	Qty	Model
15	999 702 065 50	rubber sleeve	/LL	2							
17	901 355 924 00	protection cap		1							
18	901 355 936 00	washer		2							
19	901 355 929 00	plug		2							
20	900 027 015 02	lock ring		2							
21	900 076 025 02	hexagon nut M 8		2							
(22)	911 355 012 02	brake master cylinder with warning contact for brake circuit		1							
(23)	914 613 116 00	warning contact	-75	1							
(23)	911 606 401 00	tank gauge	76-	1							
24	999 701 343 40	o-ring		1							
25	914 613 491 00	rubber cap		1							
		- - - E N D - - -									

Model	Year	MG	SG	Illustration	Restrictions	Update	10:05	21.08.2006	PORSCHE	PET	PORSCHE
911t	77	6	04	604-05		203					

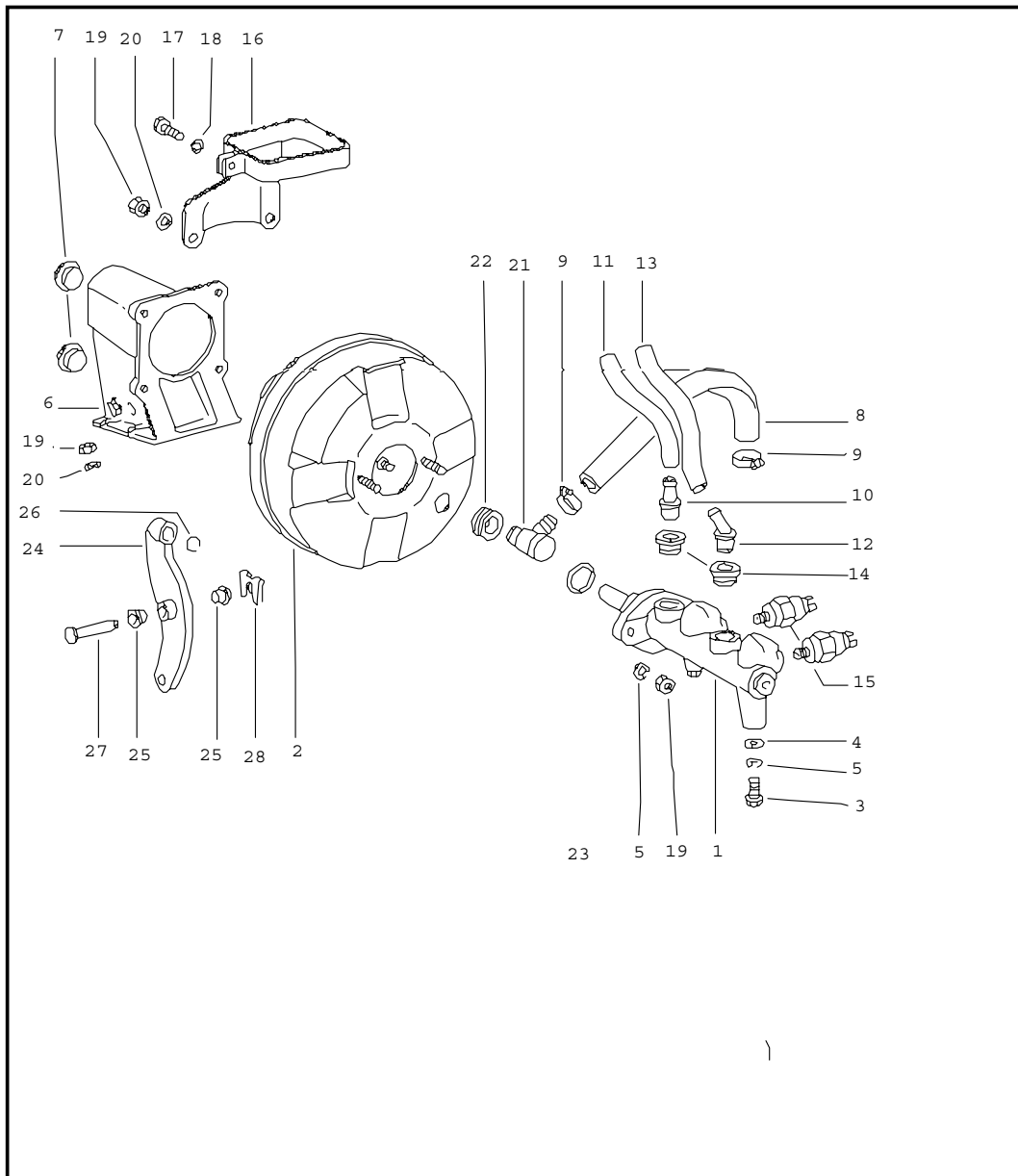


Pos	Part Number	Name	Remarks	Qty	Model
		brake lines for cars without brake booster			
1	904 355 904 00	gasket 10 MM \$		1	
2	904 355 902 00	gasket 12 MM \$		1	
3	914 355 531 00	socket piece		1	
4	914 355 534 00	banjo bolt		1	
5	901 355 619 00	brake line front left	/LL -76	1	
6	911 355 620 00	brake line front right	/LL -76	1	
7	901 355 632 01	brake hose	/V	2	
8	113 611 715 A	brake hose bracket		4	
9	803 611 715	retainer spring		4	
(10)	911 355 683 01	brake line left hose s-callsiper	/V	1	
10	911 355 684 01	brake line right hose s-callsiper	/V	1	
(11)	930 355 612 00	brake line front	/LL 76	1	
12	901 355 615 00	angled pipe		1	
13	911 355 611 00	brake line		1	
14	914 355 651 00	rubber sleeve		2	
15	914 355 652 00	clamp		2	
16	914 355 691 00	hose piece		6	
17	914 355 667 00	distributor		1	
18	900 151 006 09	washer B 6,4		1	
19	900 028 008 01	spring washer B 6		1	

Model	Year	MG	SG	Illustration	Restrictions	Update	10:05	21.08.2006	PORSCHE	PET	PORSCHE
911t	77	6	04	604-05		203					

Pos	Part Number	Name	Remarks	Qty	Model	Pos	Part Number	Name	Remarks	Qty	Model
20	900 075 017 02	hexagon-head bolt 6 X 25		1							
(21)	930 355 627 00	connecting line rear	/L	1							
-	914 355 691 00	protective tube rear	/L	1							
(22)	930 355 653 05	connecting line rear	/R	1							
23	901 355 631 01	brake hose rear		2							
(24)	930 355 621 00	brake line rear	/L	2							
(24)	930 355 622 00	brake line	/R	2							
		- - - E N D - - -									

Model	Year	MG	SG	Illustration	Restrictions	Update	10:06	21.08.2006	PORSCHE	PET	PORSCHE
911t	77	6	04	604-10		203					

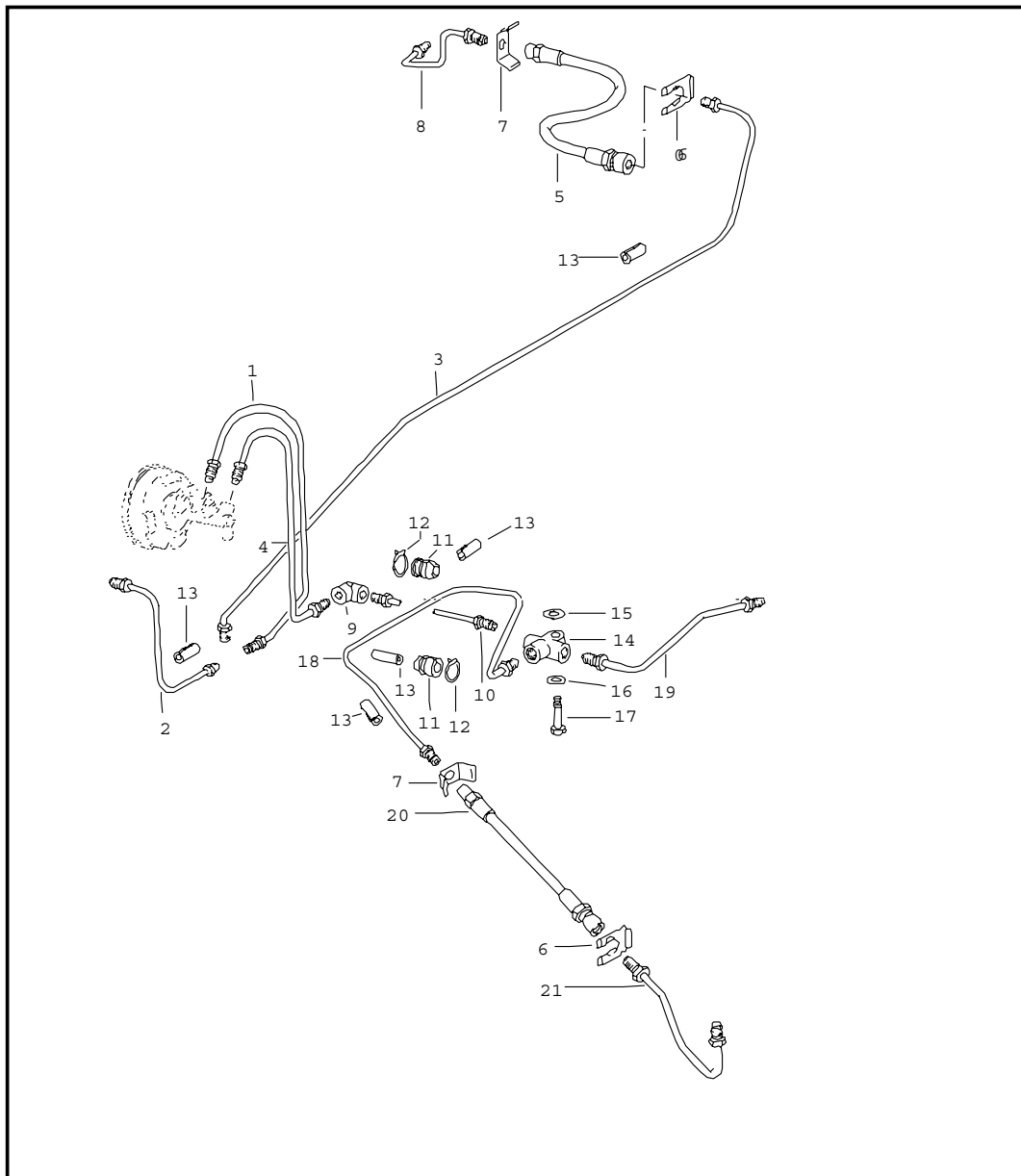


Pos	Part Number	Name	Remarks	Qty	Model
		brake master cylinder for cars with brake booster	77-		
1	911 355 011 10	brake master cylinder		1	
2	911 355 027 00	vacuum booster		1	
3	N 010 237 6	hexagon-head bolt M 8 X 12		1	
4	900 025 007 02	washer A 8,4		1	
5	900 027 015 02	lock ring B 8		3	
6	911 355 381 01	bearing bracket for brake booster		1	
7	999 703 056 40	plug		2	
8	911 355 609 00	hose for vacuum line		1	
-	999 181 022 51	hose 11,8 X 4		*	
-	-	320 MM tunnel boot floor plate		1	
9	999 512 063 02	clip		6	
10	911 355 322 00	intake socket		1	
11	999 181 021 50	hose 7,5 X 12,5 65 MM		*	
12	911 355 323 00	intake socket		1	
13	999 181 021 50	hose 7,5 X12,5		*	
-	-	120 MM		*	
14	911 355 922 00	plug		2	
15	113 945 515 G	stop light switch		2	
16	911 355 038 01	retaining strap		1	
17	900 075 260 02	hexagon-head bolt M 6 X 16		1	

Model	Year	MG	SG	Illustration	Restrictions	Update	10:06	21.08.2006	PORSCHE	PET	PORSCHE
911t	77	6	04	604-10		203					

Pos	Part Number	Name	Remarks	Qty	Model	Pos	Part Number	Name	Remarks	Qty	Model
18	N 012 007 2	lock ring A 6		1							
19	900 076 025 02	hexagon nut M 8		10							
20	N 012 241 8	spring washer B 8		8							
21	928 355 660 00	check valve		1							
22	911 355 921 00	rubber seal		1							
23	251 611 243	sealing ring		1							
24	911 355 083 02	reverse lever		1							
25	928 423 542 00	bearing sleeve		2							
26	900 169 022 02	snap ring R 10		1							
27	911 355 511 01	pin		1							
28	N 012 654 1	lock		1							
		- - - E N D - - -									

Model	Year	MG	SG	Illustration	Restrictions	Update	10:06	21.08.2006	PORSCHE	PET	PORSCHE
911t	77	6	04	604-15		203					



Pos	Part Number	Name	Remarks	Qty	Model
1	911 355 608 00	brake lines for cars with brake booster connecting line F >>91173 01518 F >>91173 11104 F >>91172 01802 F >>91172 11425 F >>91176 00868 F >>91176 10386 F >>93077 00400 F >>93078 00391	/V	1	
(1)	911 355 608 01	connecting line F 91173 01519>> F 91173 11105>> F 91172 01803>> F 91172 11426>> F 91176 00869>> F 91176 10387>> F 93077 00401>> F 93078 00392>>	/V	1	
2	911 355 618 01	brake line front	/L	1	
3	911 355 617 00	brake line front	/R	1	
4	911 355 607 00	connecting line F >>91173 01518 F >>91173 11104 F >>91172 01802 F >>91172 11425 F >>91176 00868 F >>91176 10386 F >>93077 00400 F >>93078 00391	/H	1	
(4)	911 355 607 01	connecting line F 91173 01519>> F 91173 11105>> F 91172 01803>> F 91172 11426>> F 91176 00869>> F 91176 10387>> F 93077 00401>> F 93078 00392>>	/H	1	
5	901 355 632 01	brake hose		2	
6	113 611 715 A	brake hose bracket		4	
7	803 611 715	retainer spring		4	

Model	Year	MG	SG	Illustration	Restrictions	Update	10:06	21.08.2006	PORSCHE	PET	PORSCHE
911t	77	6	04	604-15		203					

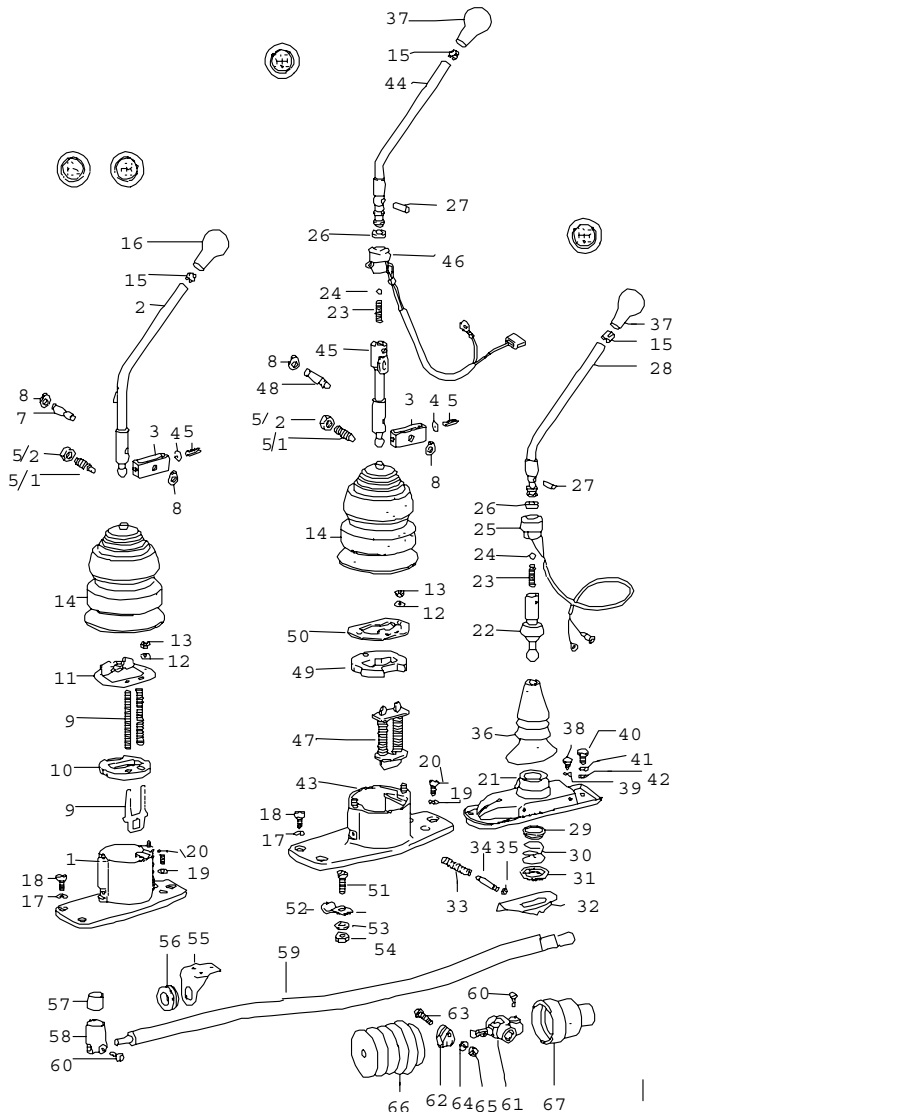
Pos	Part Number	Name	Remarks	Qty	Model	Pos	Part Number	Name	Remarks	Qty	Model
(8)	911 355 683 01	brake line front hose s-calliper	/L	1							
8	911 355 684 01	brake line front hose s-calliper	/R	1							
9	901 355 615 00	angled pipe		1							
10	911 355 611 00	brake line		1							
11	914 355 651 00	rubber sleeve		2							
12	914 355 652 00	clamp		2							
13	914 355 691 00	protective tube		6							
14	914 355 667 00	distributor		1							
15	900 151 006 09	washer B 6,4		1							
16	900 028 008 01	spring washer B 6		1							
17	900 075 017 02	hexagon-head bolt 6 X 25		1							
18	930 355 627 00	connecting line rear	/L	1							
19	930 355 653 05	connecting line rear	/R	1							
20	901 355 631 01	brake hose rear		2							
(21)	930 355 621 00	brake line rear	/L	1							
(21)	930 355 622 00	brake line	/R	1							
		- - - E N D - - -									

Model	Year	MG	SG	Illustration	Restrictions	Update	10:06	21.08.2006
911t	77	6	98	698-00		203		

Pos	Part Number	Name	Remarks	Qty	Model
		repair kits			
		front axle			
>>-	> 911 351 950 07	set of brake pads for s-calliper 911.351.935.00/936.00	/V	1	
>>-	> 901 351 998 00	set of seals for s-calliper 911.351.935.00/936.00 comprising: gasket for piston protection cap safety seal	/V	2	
		rear axle			
>>-	> 911 352 950 05	set of brake pads - textar - for m calliper comprising: brake pad	/H	1	
-	911 352 951 00	mounting parts 1 set	/H	1	
>>-	> 911 352 998 00	set of seals for m calliper without disk balancimg. comprising: gasket for piston protection cap clamping ring safety seal safety seal	/H	2	
				2	
				2	
				1	
				1	

Model	Year	MG	SG	Illustration	Restrictions	Update	10:06	21.08.2006	PORSCHE	PET	PORSCHE
911t	77	7	01	701-00		203					

Pos	Part Number	Name	Remarks	Qty	Model
		transmission control			
(2)	930 424 017 00	gearshift lever		1	
(3)	930 424 071 00	fork		1	
-	930 424 071 00	fork		1	
-	900 234 041 01	shim 10 X 16 X 1,3 lock washer 8		1	
4	911 424 187 01	shim 0,2 MM		1	
5	900 197 035 01	tensioning sleeve 8 X 28		1	
5/1	911 424 335 00	threaded pin		1	
5/2	N 011 113 3	hexagon nut M 14		1	
(10)	930 424 147 00	buffer plate		1	
-	930 424 165 01	retainer plate		1	
12	900 027 014 01	lock ring B 6		2	
13	900 076 010 02	hexagon nut M 6		2	
14	911 424 181 01	sleeve		1	
15	999 532 003 00	retainer		1	
16	930 424 069 01	gearshift knob 4-speed		1	
17	N 012 241 1	spring washer B 8		3	
18	900 067 057 02	pan-head screw M 8 X 20		3	
19	900 028 008 01	spring washer B 6		2	
20	900 067 011 02	pan-head screw M 6 X 20		2	
(55)	930 424 031 00	bearing bracket		1	
56	914 424 224 00	friction ring		1	
57	911 424 139 00	ball socket		1	

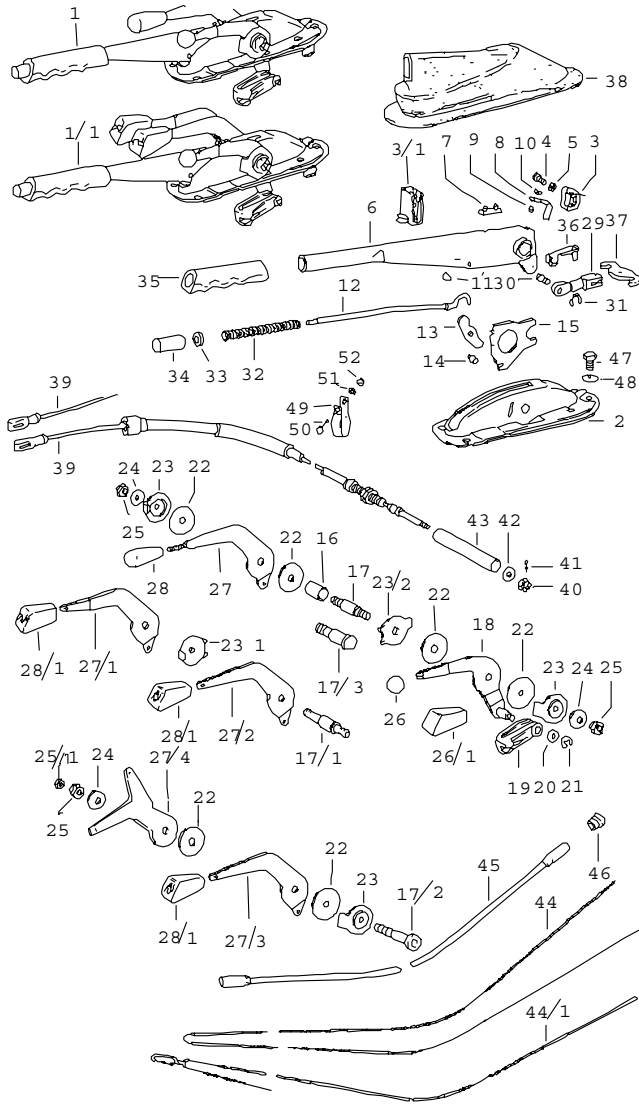


Model	Year	MG	SG	Illustration	Restrictions	Update	10:06	21.08.2006	PORSCHE	PET	PORSCHE
911t	77	7	01	701-00		203					

Pos	Part Number	Name	Remarks	Qty	Model	Pos	Part Number	Name	Remarks	Qty	Model
58	930 424 241 00	head shift rod		1							
59	911 424 020 00	gear shift rod		1							
60	901 424 229 00	conical screw		2							
61	911 424 024 04	shift rod coupling		1							
62	914 424 214 00	clamp		1							
63	N 010 335 5	hexagon-head bolt M 8 X 35		1							
64	999 523 102 02	lock washer		1							
65	900 076 025 02	hexagon nut M 8		1							
66	911 424 292 00	sealing sleeve inner		1							
67	911 424 294 00	sealing sleeve outer		1							
		- - - E N D - - -									

Model	Year	MG	SG	Illustration	Restrictions	Update	10:07	21.08.2006	PORSCHE	PET	PORSCHE
911t	77	7	01	701-05		203					

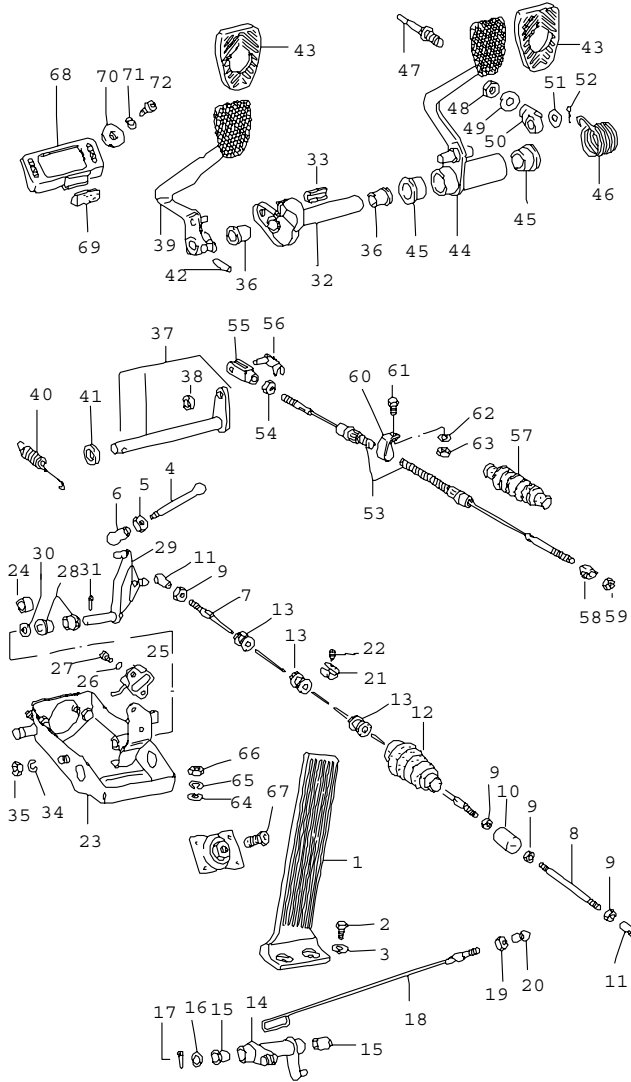
Pos	Part Number	Name	Remarks	Qty	Model
		actuating lever handbrake manual throttle			
(1/1)	911 424 051 14	parking-brake lever with bearing bracket heating automatic without manual throttle	76-	1	
2	901 424 058 02	bearing bracket		1	
3	901 613 521 20	contact piece		1	
4	900 015 025 02	oval-head screw AM 4 X 15		1	
5	N 012 116 1	serrated lock washer A 4,3		1	
6	911 424 059 00	parking-brake lever		1	
7	901 424 509 01	stop		1	
8	901 613 523 20	contact bow		1	
9	900 055 001 20	rivet		2	
10	900 031 012 10	washer 2,8		2	
11	900 206 003 00	tubular rivet 5 X 0,5 X 10		1	
12	901 424 567 03	push rod		1	
13	901 424 508 00	pawl		1	
14	901 424 511 00	bolt		1	
15	914 424 541 00	locking segment		1	
17/2	911 424 717 00	tensioning sleeve heating automatic		1	
17/3	911 424 515 00	bolt heating automatic	76-	1	
22	911 424 737 00	washer	75-	X	
23	911 424 735 04	lamina		X	
24	999 523 006 00	cup spring		X	



Model	Year	MG	SG	Illustration	Restrictions	Update	10:07	21.08.2006	PORSCHE	PET	PORSCHE
911t	77	7	01	701-05		203					

Pos	Part Number	Name	Remarks	Qty	Model	Pos	Part Number	Name	Remarks	Qty	Model
25	999 084 019 02	lock nut M 8		X		44/1	911 424 701 02	wire pull heating automatic		1	
25/1	999 084 043 02	hexagon nut M 5		1		45	901 424 704 01	guide		2	
27/3	911 424 711 04	lever heating automatic		1		46	914 504 319 00	grommet		2	
27/4	911 424 075 00	connecting lever heating automatic		1		47	900 075 087 02	hexagon-head bolt M 8 X 16		3	
-	900 075 276 02	pan-head screw M 5 X 6		1		48	900 027 015 02	lock ring B 8		3	
-	N 012 225 2	spring washer B 5		1		49	999 706 009 80	suspension strap		1	
29	901 424 569 01	fork		1		50	900 075 057 02	hexagon-head bolt M 6 X 16		1	
30	999 166 010 02	bolt A 6 X 16 X 3		1		51	900 028 008 01	spring washer B 6		1	
31	999 166 008 02	safety clip		1		52	900 076 010 02	hexagon nut M 6		1	
32	901 424 543 00	compression spring		1				- - - E N D - - -			
33	901 424 593 01	rubber ring		1							
34	901 424 523 01	push button		1							
35	901 424 521 01	handle		1							
36	999 166 001 02	bolt 6 X 24		1							
37	901 424 568 00	compensating piece		1							
(38)	911 424 591 05	sleeve heating automatic without manual throttle	76-	1							
39	930 424 553 00	parking-brake cable		2							
40	900 079 012 02	castle nut M 6		2							
41	N 012 507 1	cotter pin 1,5 X 15		2							
42	900 151 006 09	washer B 6,4		4							
43	930 424 559 00	spacer tube		2							

Model	Year	MG	SG	Illustration	Restrictions	Update	10:07	21.08.2006	PORSCHE	PET	PORSCHE
911t	77	7	02	702-00		203					

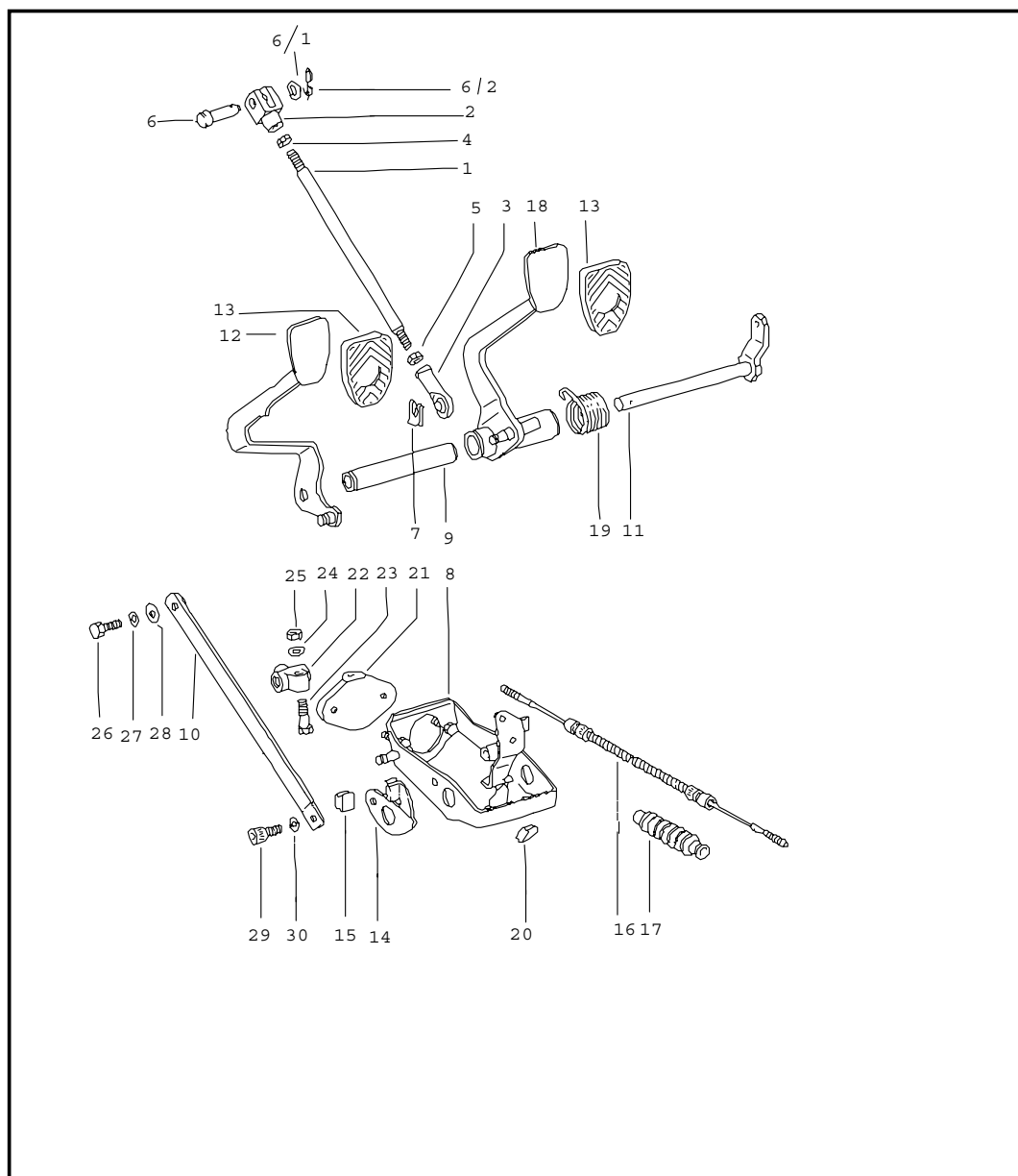


Pos	Part Number	Name	Remarks	Qty	Model
		pedals left-hand drive			
(1)	911 423 111 02	accelerator pedal	76-	1	
2	N 010 215 13	hexagon-head bolt M 6 X 15		2	
3	900 151 006 09	washer B 6,4		2	
4	914 423 227 00	push rod		1	
5	900 076 027 02	hexagon nut M 5		1	
6	A N 015 521 3	ball socket A 8		1	
6	911 423 147 00	ball socket		1	
7	PCG 423 024 00	throttle linkage		1	
8	901 423 223 01	extension rod		1	
9	900 076 027 02	hexagon nut M 5		4	
10	911 423 081 02	housing		1	
11	N 015 521 3	ball socket A 8		2	
12	911 423 593 01	sealing sleeve		1	
13	901 423 227 00	bush		3	
(14)	930 423 017 01	reverse lever		1	
15	914 423 211 00	bush		2	
16	900 025 008 02	washer 10,5		1	
17	N 012 530 1	cotter pin 3 X 15		1	
(18)	A 930 423 015 01	throttle linkage with ball socket		1	
(18)	930 423 019 01	throttle linkage with ball socket		1	
21	901 424 319 00	screw nipple		1	
22	N 013 114 1	pin		1	

Model	Year	MG	SG	Illustration	Restrictions	Update	10:07	21.08.2006	PORSCHE	PET	PORSCHE
911t	77	7	02	702-00		203					

Pos	Part Number	Name	Remarks	Qty	Model	Pos	Part Number	Name	Remarks	Qty	Model
23	911 423 065 02	bearing bracket		1		48	900 158 003 02	hexagon nut M 10		1	
24	901 423 193 00	rubber stop		1		49	901 423 157 00	washer		1	
25	911 613 411 00	stop light switch		1		50	901 423 507 02	intermediate piece		1	
26	900 114 014 01	shake-proof washer A 4,3		2		51	N 011 564 2	washer 13		1	
27	900 146 011 02	oval-head screw AM 4 X 10		2		52	900 021 015 00	cotter pin 3 X 20		1	
28	901 423 253 00	bearing sleeve		2		(53)	930 423 401 01	clutch cable		1	
29	901 423 250 02	reverse lever	/V	1		54	900 076 010 02	hexagon nut M 6		1	
30	900 031 001 02	washer 8,4		1		55	900 166 002 02	clevis C 6 X 24		1	
31	900 021 008 00	cotter pin 2 X 15		1		56	999 166 001 02	bolt		1	
32	901 423 035 00	bearing tube		1		(57)	311 713 269 A	sealing sleeve		1	
33	901 423 391 00	rubber stop		1		58	911 423 205 03	lever		1	
34	900 027 015 02	lock ring B 8		1		59	N 011 007 3	hexagon nut M 7		2	
35	N 011 151 3	hexagon nut M 8		1		60	999 706 009 80	suspension strap		1	
36	911 423 341 01	bush		2		61	900 075 057 02	hexagon-head bolt M 6 X 16		1	
37	911 423 027 04	clutch pedal shaft	76-	1		62	900 028 008 01	spring washer B 6		1	
38	901 423 343 00	bush		1		63	900 076 010 02	hexagon nut M 6		1	
39	911 423 077 00	clutch pedal		1		64	900 025 007 02	washer 8,4		2	
40	911 423 305 05	tension spring	-76	1		65	900 027 015 02	lock ring B 8		2	
41	911 423 219 03	spacer sleeve	77-	1		66	900 076 025 02	hexagon nut M 8		2	
42	900 309 002 00	roll pin 6 X 28		1							
43	914 423 210 00	rubber pad		2							
44	911 423 053 02	brake pedal		1							
45	911 423 542 00	bush		2							
46	901 423 531 00	return spring		1							
47	901 423 057 04	piston rod		1							
									- - - E N D - - -		

Model	Year	MG	SG	Illustration	Restrictions	Update	10:07	21.08.2006	PORSCHE	PET	PORSCHE
911t	77	7	02	702-10		203					



Pos	Part Number	Name	Remarks	Qty	Model
		pedals for cars with brake booster			
1	911 423 523 01	push rod		1	
2	999 166 039 02	clevis		1	
3	999 593 116 02	swivel head		1	
4	900 157 002 02	hexagon nut M 10		1	
5	900 157 003 02	hexagon nut M 10 left thread		1	
6	900 087 037 02	bolt 10 H 11 X 28 X 23,5		1	
6/1	900 031 005 02	washer 10,5		1	
6/2	999 021 001 07	connector		1	
7	999 166 034 02	sl-lock		1	
8	911 423 065 03	bearing bracket		1	
9	911 423 062 00	bearing tube		1	
-	925 423 035 00	bearing tube	M	1	
10	911 423 082 00	strut		1	
11	930 423 027 01	clutch pedal shaft		1	
12	911 423 077 05	clutch pedal		1	
13	914 423 210 00	rubber pad		2	
14	911 423 391 02	protective strip		1	
15	999 703 133 40	rubber stop		1	
16	930 423 401 05	clutch cable		1	
-	999 512 291 02	hose clamp		1	
17	311 713 269 A	sealing sleeve for clutch cable		1	
18	911 423 053 04	brake pedal		1	
(18)	925 423 053 01	brake pedal	M	1	
19	911 423 531 03	return spring		1	

Model	Year	MG	SG	Illustration	Restrictions	Update	10:07	21.08.2006	PORSCHE	PET	PORSCHE
911t	77	7	02	702-10		203					

Pos	Part Number	Name	Remarks	Qty	Model	Pos	Part Number	Name	Remarks	Qty	Model
20	901 423 193 00	rubber stop		1							
21	911 423 153 00	cover plate		1							
22	914 355 667 00	distributor		1							
23	900 075 017 02	hexagon-head bolt M 6 X 25		1							
24	900 028 008 01	spring washer B 6		1							
25	900 076 010 02	hexagon nut M 6		1							
26	N 010 253 7	hexagon-head bolt M 10 X 22		1							
27	900 027 016 02	lock ring B 10		1							
28	900 025 008 02	washer 10,5		1							
29	900 067 063 02	pan-head screw M 10 X 20		1							
30	999 523 103 02	lock washer 10		1							
		- - - E N D - - -									

PORSCHE

PET

PORSCHE

Model	Year	MG	SG	Illustration	Restrictions	Update	10:07	21.08.2006
911t	77	8	01	801-00		203		

Pos	Part Number	Name	Remarks	Qty	Model
		body in white prime coated sealed with underbody protection bodysHELLs can only be delivered of the current model year			
-	930 500 921 02	body in white	/LL 76	1	
-	930 500 921 04	body in white	/LL 77-	1	
		- - - E N D - - -			

Model	Year	MG	SG	Illustration	Restrictions	Update	10:08	21.08.2006	PORSCHE	PET	PORSCHE
911t	77	8	01	801-05		203					

Pos	Part Number	Name	Remarks	Qty	Model
(1)	930 501 005 02	frame front	/LL -76	1	
(1)	930 501 005 04	frame front part with cross panel front picture 15 + (15) order also:	/LL 77-	1	
2/1	911 501 149 00	support	/L	1	
2/1	911 501 150 00	support	/R	1	
2/2	999 703 058 40	cap plug		1	
5	911 501 035 11	boot floor plate	/LL 76	1	
5	911 501 035 13	boot floor plate	/LL 77-	1	
5/1	901 501 369 00	support for pump	77-	1	
6	901 504 043 02	cover	/LL	1	
7	900 144 034 07	tapping screw B 4,2 X 16		4	
8	911 504 491 02	gasket	/LL -76	1	
(8)	911 504 491 02	gasket	/LL 77-	1	
(8)	901 504 491 31	gasket optional heating	/LL	1	
11	999 703 103 40	plug \$ 23,5		1	
12	901 504 747 00	cover		1	
13/1	914 552 233 10	filler piece \$ 10		1	
14	911 501 347 00	cowl panel support	/LL	1	
14/1	900 075 260 02	hexagon-head bolt M 6 X 16		2	
14/2	N 012 006 4	lock ring B 6		2	

Model	Year	MG	SG	Illustration	Restrictions	Update	10:08	21.08.2006	PORSCHE	PET	PORSCHE
911t	77	8	01	801-05		203					

Pos	Part Number	Name	Remarks	Qty	Model	Pos	Part Number	Name	Remarks	Qty	Model
14/3	N 011 524 7	washer 6,4		2							
15	911 501 411 00	connecting piece	/L	1							
(15)	901 501 412 21	connecting piece	/R	1							
16	911 501 099 04	cross panel	/V	1							
17	911 501 383 40	support		2							
-	911 501 273 00	mounting for water pump	M	1							
18	999 703 033 40	plug \$ 25		4							
19	911 501 117 02	fuel tank support holder	/V	1							
20	911 501 213 01	cross panel	/LL/V	1							
21	999 703 033 40	plug \$ 25,5		2							
22	901 501 043 33	wall	/LL/V	1							
23	902 504 079 20	cover		1							
24	999 704 203 40	sealing washer		1							
25	901 504 755 20	tensioning spring		1							
26	999 084 102 02	lock nut		1							
27	901 501 354 32	cup for steering shaft	/LL 76-	1							
		- - - E N D - - -									

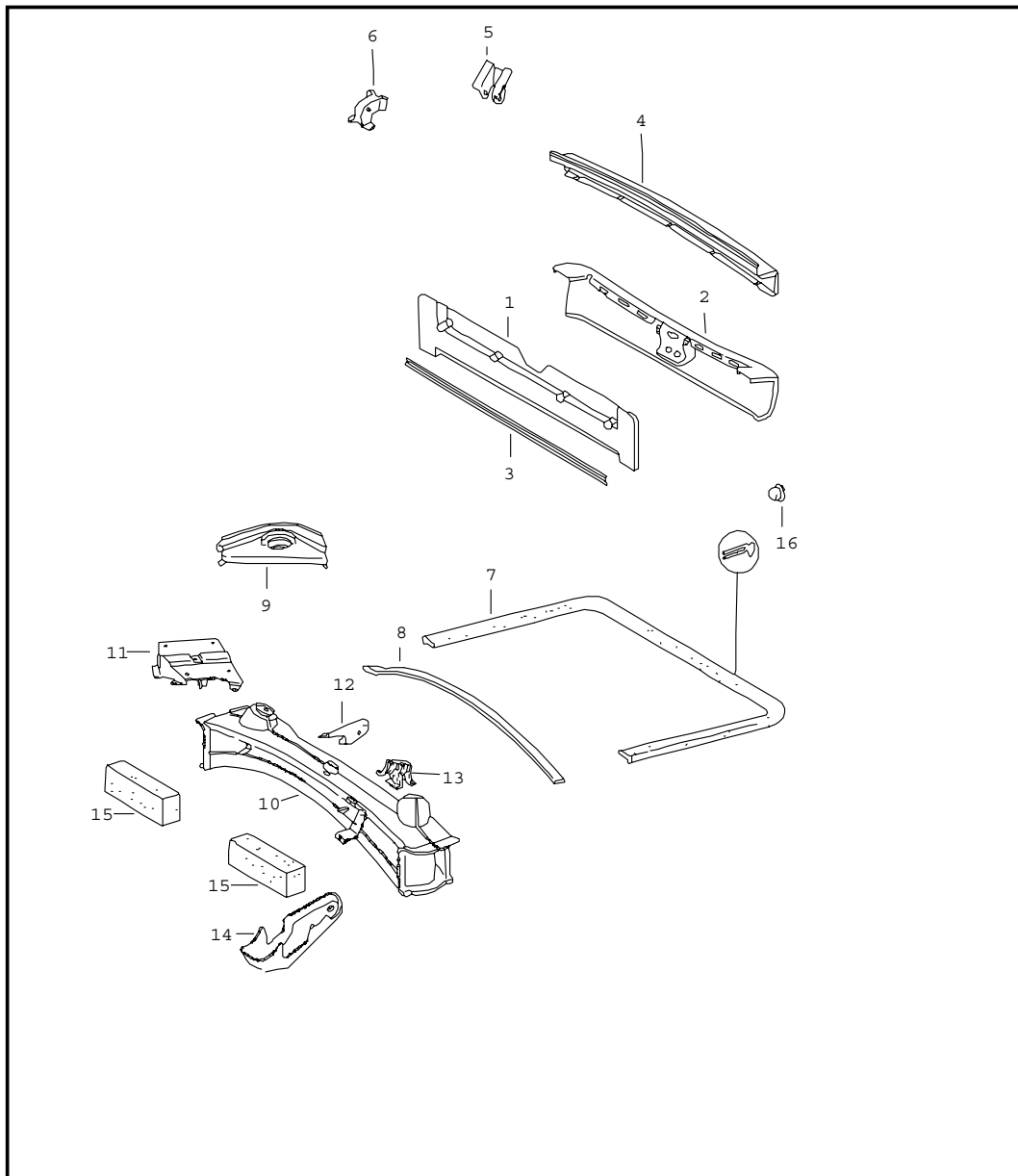
Model	Year	MG	SG	Illustration	Restrictions	Update	10:08	21.08.2006	PORSCHE	PET	PORSCHE
911t	77	8	01	801-10		203					

Pos	Part Number	Name	Remarks	Qty	Model
		frame centre			
1	911 501 962 26	side member inner		1	
(1)	911 501 962 46	side member inner	/R 76-	1	
(1)	911 501 961 26	side member inner	/L 76-	1	
(1)	911 501 961 46	side member inner	/L 76-	1	
1/1	911 501 962 03	side member inner	/R 76-	1	
(1/1)	911 501 961 03	side member inner	/L 76-	1	
2	999 703 048 40	plug		4	
2/1	111 801 177	rubber valve		4	
3	644 501 163 00	threaded piece for bearing back seat		2	
4	901 501 117 20	plate		2	
5	901 501 796 20	rail	/R	1	
(5)	901 501 795 20	rail	/L	1	
6	999 703 098 40	cap plug \$ 19		1	
7	901 501 263 20	bracket	/L	2	
8	901 501 264 20	bracket	/R	2	
9	901 501 128 20	retainer spring		6	
10	N 013 411 1	rivet 3 X 6		12	
11	911 572 211 01	hot air duct	/V	2	
12	911 572 025 02	muffler		2	
13	911 572 024 00	hot air duct	/H/R	1	
(13)	911 572 221 02	hot air duct	/H/L	1	

Model	Year	MG	SG	Illustration	Restrictions	Update	10:08	21.08.2006	PORSCHE	PET	PORSCHE
911t	77	8	01	801-10		203					

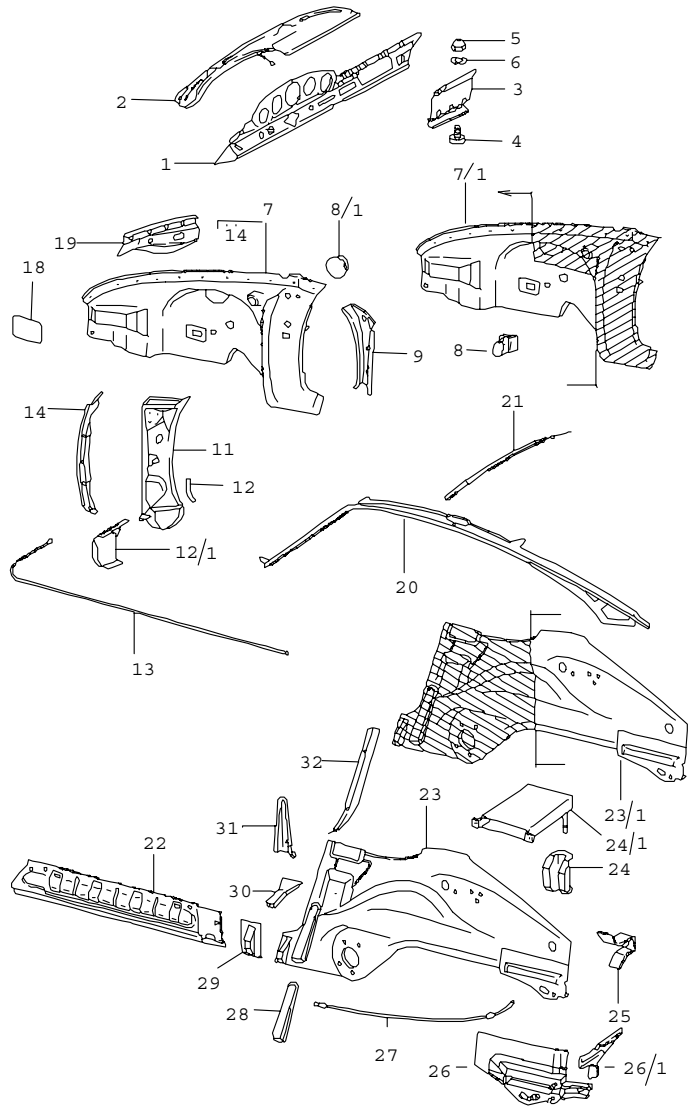
Pos	Part Number	Name	Remarks	Qty	Model	Pos	Part Number	Name	Remarks	Qty	Model
(14)	911 501 061 47	tunnel with pipeline for carbon canister	/LL 75-	1		26	901 501 427 20	reinforcement for axle mounting	76-	2	
(14)	911 501 061 47	tunnel with pipeline for carbon canister	/LL 75-	1		27	901 501 407 22	corner reinforcement	/L	1	
(14)	911 501 061 44	tunnel	/RL 77-	1		(27)	901 501 408 22	corner reinforcement	/R	1	
15	911 501 661 00	reinforcement	/L	1		28	911 025 612 00	grommet		2	
(15)	911 501 662 00	reinforcement	/R	1		29	911 501 285 00	carrier plate for battery		1	
16	914 552 233 10	filler piece \$ 10	M	2				- - - E N D - - -			
17	911 504 107 00	cap		1							
(18)	930 501 051 04	floorpan	/LL	1							
(19)	930 501 580 02	floorpan front part	/LL 76-	1							
20	911 501 111 02	fuel tank support holder	/L	1							
(20)	911 501 114 04	fuel tank support holder	/R 76-	1							
21	901 501 457 20	bracket corner panel	/L	1							
(21)	901 501 458 20	bracket corner panel	/R	1							
22	999 703 033 40	plug \$ 25		4							
22/1	999 703 121 40	plug \$ 8		16							
22/2	999 703 125 40	plug \$ 8.9		4							
23	901 501 063 23	bracket		2							
(24)	930 501 359 01	axle mounting	/V/L	1							
(24)	930 501 360 01	axle mounting	/V/R	1							
25	901 501 409 23	reinforcement plate	/L	1							
(25)	901 501 410 23	reinforcement plate	/R	1							

Model	Year	MG	SG	Illustration	Restrictions	Update	10:08	21.08.2006	PORSCHE	PET	PORSCHE
911t	77	8	01	801-15		203					



Pos	Part Number	Name	Remarks	Qty	Model
		frame rear			
1	911 501 830 01	cross member inner	/H	1	
2	901 501 087 22	cross member outer		1	
3	901 501 797 20	rail	/H	1	
4	911 503 151 00	end plate	/H	1	
5	911 501 729 00	bracket for gas prop		1	
6	911 501 041 00	bearing back seat		1	
7	911 504 111 02	engine compartment seal	/H	1	
(8)	911 504 115 02	engine compartment seal	/V	1	
9	901 501 083 21	engine mounting		2	
10	911 501 075 06	cross member exhaust gas recirculation MODELL 74 support see group 2/01/25 POS.32 order also:	/H	1	
(14)	911 501 023 02	bracket for fuel pump	75-	1	
15	911 504 930 00	strap		2	
16	999 703 098 40	cap plug \$ 19		2	
- - - E N D - - -					

Model	Year	MG	SG	Illustration	Restrictions	Update	10:08	21.08.2006	PORSCHE	PET	PORSCHE
911t	77	8	01	801-20		203					

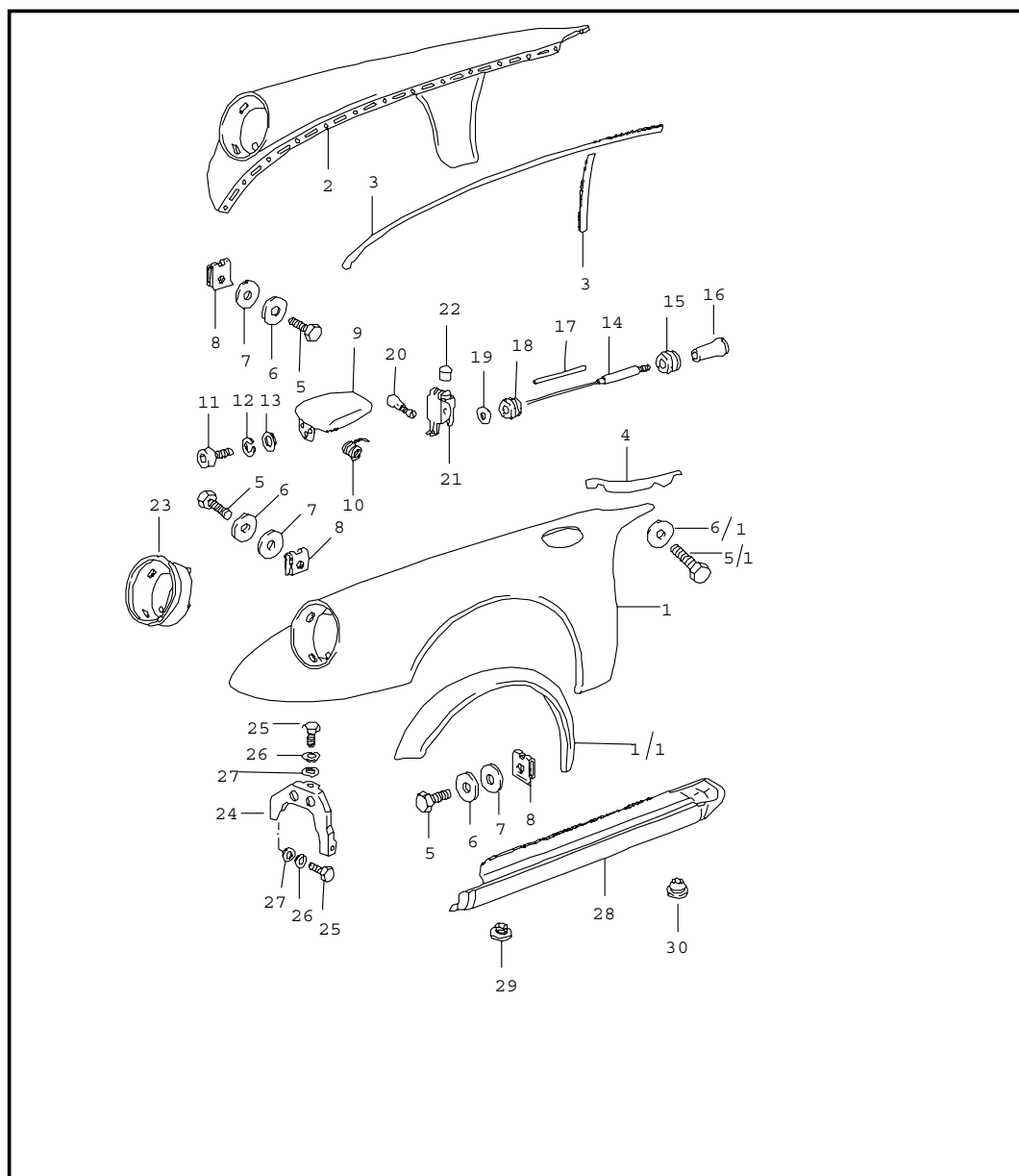


Pos	Part Number	Name	Remarks	Qty	Model
		interior panelling			
1	911 502 021 45	dashboard lower part	/LL -76	1	
1	911 502 021 02	dashboard lower part	/LL 77-	1	
2	901 502 023 44	dashboard upper part	/LL -76	1	
2	911 502 025 40	dashboard upper part	/LL 77-	1	
3	911 552 010 02	glove box cover		1	
4	900 146 003 02	oval-head screw AM 5 X 10		2	
6	900 025 003 02	washer 5,3		4	
7	911 501 033 77	wheel housing	/V/L	1	
(7)	930 501 033 01	wheel housing	/V/L 76	1	
(7)	911 501 034 91	wheel housing	/V/R 77-	1	
-	911 501 675 00	reinforcing support	/V/R	1	
(7)	930 501 034 01	wheel housing	/V/R -76	1	
7/1	911 501 995 02	wheel housing	/V/L	1	
(7/1)	911 501 996 02	wheel housing	/V/R	1	
8	901 501 419 00	plate	/V/R	2	
9	901 501 217 21	post bracket	/V/L	1	
(9)	901 501 218 21	post bracket	/V/R	1	
11	911 501 039 02	hinge pillar	/L	1	
(11)	911 501 040 02	hinge pillar	/R	1	
12	901 501 305 20	angular bracket	/L	1	
(12)	901 501 306 20	angular bracket	/R	1	
12/1	911 501 439 00	filler plate	/L	1	
12/1	911 501 440 00	filler plate	/R	1	
13	911 502 181 00	guide tube	/V	1	
14	911 501 053 00	wing joining plate	/L	1	

Model	Year	MG	SG	Illustration	Restrictions	Update	10:08	21.08.2006	PORSCHE	PET	PORSCHE
911t	77	8	01	801-20		203					

Pos	Part Number	Name	Remarks	Qty	Model	Pos	Part Number	Name	Remarks	Qty	Model
30	911 501 195 00	jacking point		2							
31	901 501 141 21	bracket	/L	1							
(31)	901 501 142 21	bracket	/R	1							
32	901 502 245 00	profile	/L	1							
(32)	901 502 246 00	profile	/R	1							
		- - - E N D - - -									

Model	Year	MG	SG	Illustration	Restrictions	Update	10:08	21.08.2006	PORSCHE	PET	PORSCHE
911t	77	8	01	801-30		203					



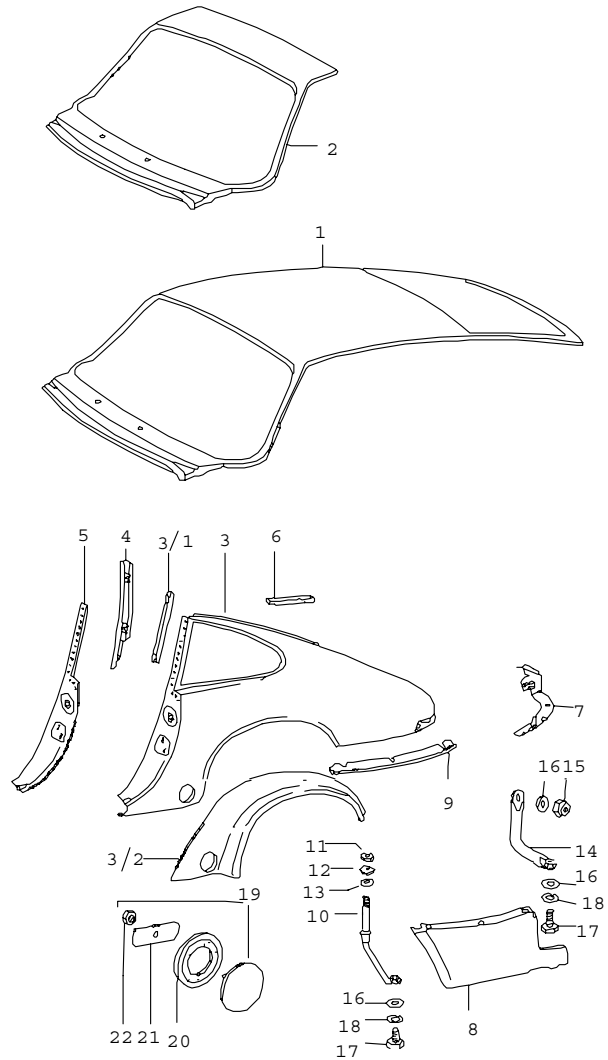
Pos	Part Number	Name	Remarks	Qty	Model
		exterior panelling front			
(1)	930 503 031 00	front wing	/L -76	1	
(1)	930 503 031 02	front wing	/L 77-	1	
1/1	930 503 307 00	wing joining plate	/L	1	
(2)	930 503 032 00	front wing	/R	1	
1/1	930 503 308 00	wing joining plate	/R	1	
3	000 043 129 00	sealing strap 25 X 2 MM		*	
4	901 503 394 22	piping		2	
5	900 187 010 02	tapping screw BZ 6,3 X 19		32	
5/1	900 378 030 09	hexagon-head bolt M 6 X 20		4	
6	900 151 006 09	washer B 6,4		32	
6/1	N 011 550 1	washer B 6,5		4	
7	999 704 157 40	washer		32	
8	999 591 327 02	speed nut B 6,3		32	
9	911 504 031 00	cover		1	
10	911 504 331 00	spring for hinge		1	
11	900 067 051 02	pan-head screw M 5 X 10		3	
12	N 012 005 3	lock ring B 5		3	
13	900 025 003 02	washer 5,3		3	
14	901 504 317 21	lid-release cable with threaded piece		1	
15	911 504 385 00	rubber washer		1	
16	901 552 822 00	knob		1	

Model	Year	MG	SG	Illustration	Restrictions	Update	10:08	21.08.2006	PORSCHE	PET	PORSCHE
911t	77	8	01	801-30		203					

Pos	Part Number	Name	Remarks	Qty	Model	Pos	Part Number	Name	Remarks	Qty	Model
17	901 504 385 20	connecting tube		1							
-	999 181 184 40	plastic tube 7,5 X 1,25		*							
18	999 702 020 50	rubber sleeve		1							
19	914 504 319 00	grommet		1							
20	999 230 002 02	screw nipple		1							
21	901 504 034 20	bearing for cover		1							
22	911 025 679 00	buffer		1							
23	911 503 015 00	headlamp casing	/L	1							
(23)	911 503 016 00	headlamp casing	/R	1							
24	911 503 079 00	wing strut	/L	1							
(24)	911 503 080 00	bracket	/R	1							
25	900 075 087 02	hexagon-head bolt M 8 X 16		4							
26	900 027 015 02	lock ring B 8		4							
27	900 025 007 02	washer 8,4		4							
28	911 503 401 04	door sill	/L	1							
(28)	911 503 402 04	door sill	/R	1							
29	999 703 033 40	plug		2							
30	411 837 111	cap		4							
		- - - E N D - - -									

Model	Year	MG	SG	Illustration	Restrictions	Update	10:09	21.08.2006	PORSCHE	PET	PORSCHE
911t	77	8	01	801-35		203					

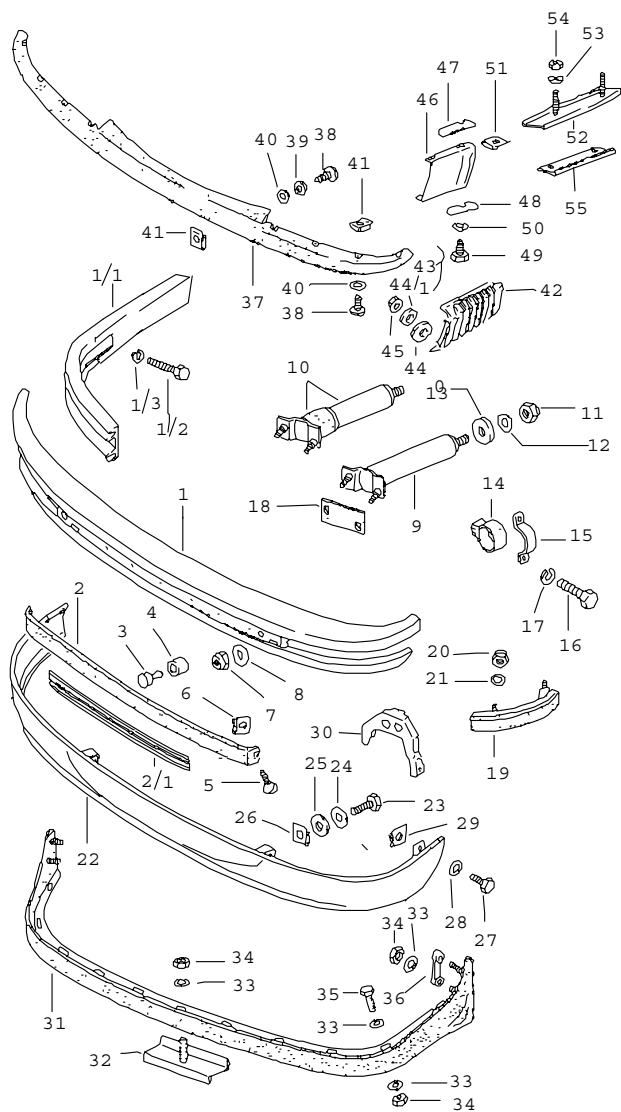
Pos	Part Number	Name	Remarks	Qty	Model
		exterior panelling rear			
1	911 503 087 02	outer roof panel		1	
(1)	911 503 087 03	outer roof panel with frame sunroof		1	
2	901 503 090 21	windscreen frame part		1	
(3)	930 503 061 00	wing with lock pillar	/H/L	1	
(3)	930 503 062 00	wing with lock pillar	/H/R	1	
3/2	930 503 607 00	welding plate	/H/L	1	
(3/2)	930 503 608 00	welding plate	/H/R	1	
4	911 502 043 01	lock pillar inner panel	/L	1	
(4)	911 502 044 01	lock pillar inner panel	/R	1	
5	911 502 041 02	lock pillar	/L	1	
(5)	911 502 042 02	lock pillar	/R	1	
6	911 504 933 00	seal	/H/L	1	
(6)	911 504 934 00	seal	/H/R	1	
7	911 503 073 00	bar	/H/L	1	
(7)	911 503 074 00	bar	/H/R	1	
(8)	930 503 067 00	side section lower part	/L	1	
(8)	930 503 068 00	side section lower part	/R	1	
(9)	930 503 197 00	pipng		2	
10	911 501 623 02	support tube	/V	2	
11	900 078 009 02	hexagon nut M 20 X 1,5		2	
12	900 025 021 02	washer		2	
13	901 501 913 21	sealing ring		2	



Model	Year	MG	SG	Illustration	Restrictions	Update	10:09	21.08.2006	PORSCHE	PET	PORSCHE
911t	77	8	01	801-35		203					

Pos	Part Number	Name	Remarks	Qty	Model	Pos	Part Number	Name	Remarks	Qty	Model
14	911 501 628 01	support tube	/H	2							
15	900 084 003 02	lock nut M 6		2							
16	900 151 006 09	washer 6,4		6							
17	900 075 010 02	hexagon-head bolt M 6 X 12		4							
18	N 012 007 2	lock ring A 6		4							
19	901 504 079 00	spring cover		2							
20	901 504 759 01	desk pad		2							
21	901 504 755 20	tensioning spring		2							
22	900 076 027 02	hexagon nut M 5		2							
		- - - E N D - - -									

Model	Year	MG	SG	Illustration	Restrictions	Update	10:09	21.08.2006	PORSCHE	PET	PORSCHE
911t	77	8	02	802-00		203					



Pos	Part Number	Name	Remarks	Qty	Model
		bumper front			
1	911 505 011 10	bumper	/V -76	1	
(1)	911 505 011 13	bumper headlight washer system	/V	1	
1/1	911 505 463 00	support for bumper		1	
1/2	900 075 033 02	hexagon-head bolt M 8 X 40		4	
1/3	900 027 015 02	lock ring B 8		4	
2	911 505 147 03	protective moulding	/V	1	
2/1	911 505 149 02	insert		1	
3	911 505 417 00	plug		7	
4	911 505 418 00	grommet		7	
5	900 143 113 07	tapping screw B 4,2 X 13		2	
6	999 507 018 02	speed nut		2	
7	900 084 004 02	hexagon nut M 8	-76	4	
7	N 011 185 6	hexagon nut M 10	77-	4	
8	900 151 008 02	washer B 8,4	-76	4	
8	900 025 008 02	washer 10,5	77-	4	
9	911 505 045 03	impact pipe	/V -76	2	
9	911 505 045 03	impact pipe	/V 77-	2	
10	911 505 279 03	impact absorber	/V -76	2	
10	911 505 279 03	impact absorber	/V 77-	2	
11	900 084 004 02	hexagon nut M 8	-76	2	
11	999 084 608 02	hexagon nut M 12	77-	2	

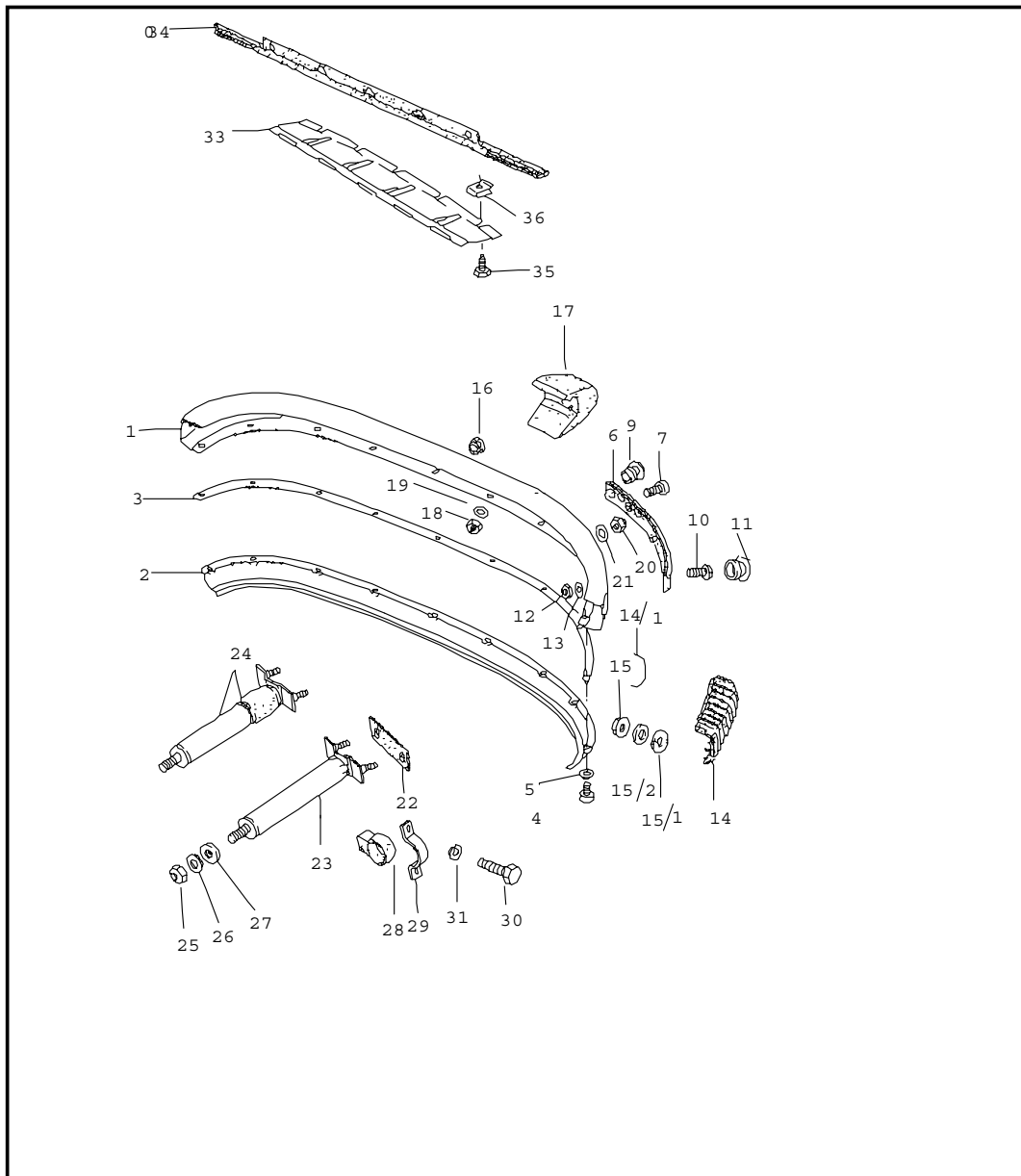
Model	Year	MG	SG	Illustration	Restrictions	Update	10:09	21.08.2006	PORSCHE	PET	PORSCHE
911t	77	8	02	802-00		203					

Pos	Part Number	Name	Remarks	Qty	Model	Pos	Part Number	Name	Remarks	Qty	Model
12	900 151 008 02	washer B 8,4	-76	2		30	911 503 079 00	wing strut	/L	1	
12	900 025 009 02	washer 13	77-	2		(30)	911 503 080 00	bracket	/R	1	
13	911 505 220 01	desk pad	-76	2		(31)	930 503 055 00	front spoiler	-76	1	
(13)	911 505 220 01	desk pad	77-	2		(31)	930 503 055 01	front spoiler	77-	1	
(13)	911 505 219 01	desk pad	77-	2		32	911 503 023 00	shim	75-	7	
14	911 505 221 00	stop		2		33	900 151 006 09	washer B 6,4	75-	4	
15	911 505 223 00	supporting bow		2		34	900 084 010 02	hexagon nut M 6	75-	4	
16	999 093 010 02	hexagon-head bolt M 8 X 20		4		35	900 378 030 09	hexagon-head bolt M 6 X 20	75-	4	
17	900 027 005 02	lock ring A 8		4		36	911 503 141 00	desk pad	/L 75-76	1	
18	911 505 311 00	desk pad		2		(36)	911 503 142 00	desk pad	/R 75-76	1	
19	911 505 307 00	cover	/V/L	1		(36)	901 565 448 40	spacer	77-	4	
(19)	911 505 308 00	cover	/V/R	1		37	911 505 187 01	sealing strip	/V	1	
20	N 021 196 1	lock nut M 5		4		38	N 013 968 7	tapping screw B 4,8 X 13		12	
21	900 025 003 30	washer A 5,3		4		39	999 704 104 50	rubber washer		4	
22	911 503 049 02	front embellisher	/V -76	1		40	900 151 027 02	washer B 5,3		12	
(22)	930 503 049 00	front embellisher	/V 77-	1		41	999 507 019 02	speed nut B 4,8		12	
23	900 187 010 02	tapping screw BZ 6,3 X 19		2		42	911 799 505 63	bellows	/L	1	
24	900 151 006 09	washer B 6,4		2		(42)	911 799 505 64	bellows	/R	1	
25	999 704 157 40	washer		2		43	911 505 375 00	clamp		2	
26	999 591 327 02	speed nut B 6,3		2		44	901 511 791 21	rubber washer		2	
27	900 187 010 02	tapping screw BZ 6,3 X 19		2		44/1	900 025 003 02	washer A 5,3		8	
28	900 151 006 09	washer B 6,4		2		45	900 910 009 02	lock nut NM 5		8	
29	999 591 327 02	speed nut B 6,3		2		49	900 187 004 02	hexagon-head tapping screw B 4,8 X 19		8	

Model	Year	MG	SG	Illustration	Restrictions	Update	10:09	21.08.2006	PORSCHE	PET	PORSCHE
911t	77	8	02	802-00		203					

Pos	Part Number	Name	Remarks	Qty	Model	Pos	Part Number	Name	Remarks	Qty	Model
50	900 151 027 02	washer B 5,3		8							
51	999 507 019 02	speed nut B 4,8		8							
52	930 503 131 00	plate with screw bolt	/L	1							
(52)	930 503 132 00	plate with screw bolt	/R	1							
53	900 151 027 02	washer B 5,3		4							
54	900 076 027 02	hexagon nut M 5		4							
-	930 503 197 00	pipng		2							
55	930 503 327 00	plate with pressed-in hole	-76	2							
55	930 503 327 01	plate with pressed-in hole	77-	2							
		- - - E N D - - -									

Model	Year	MG	SG	Illustration	Restrictions	Update	10:09	21.08.2006	PORSCHE	PET	PORSCHE
911t	77	8	02	802-05		203					

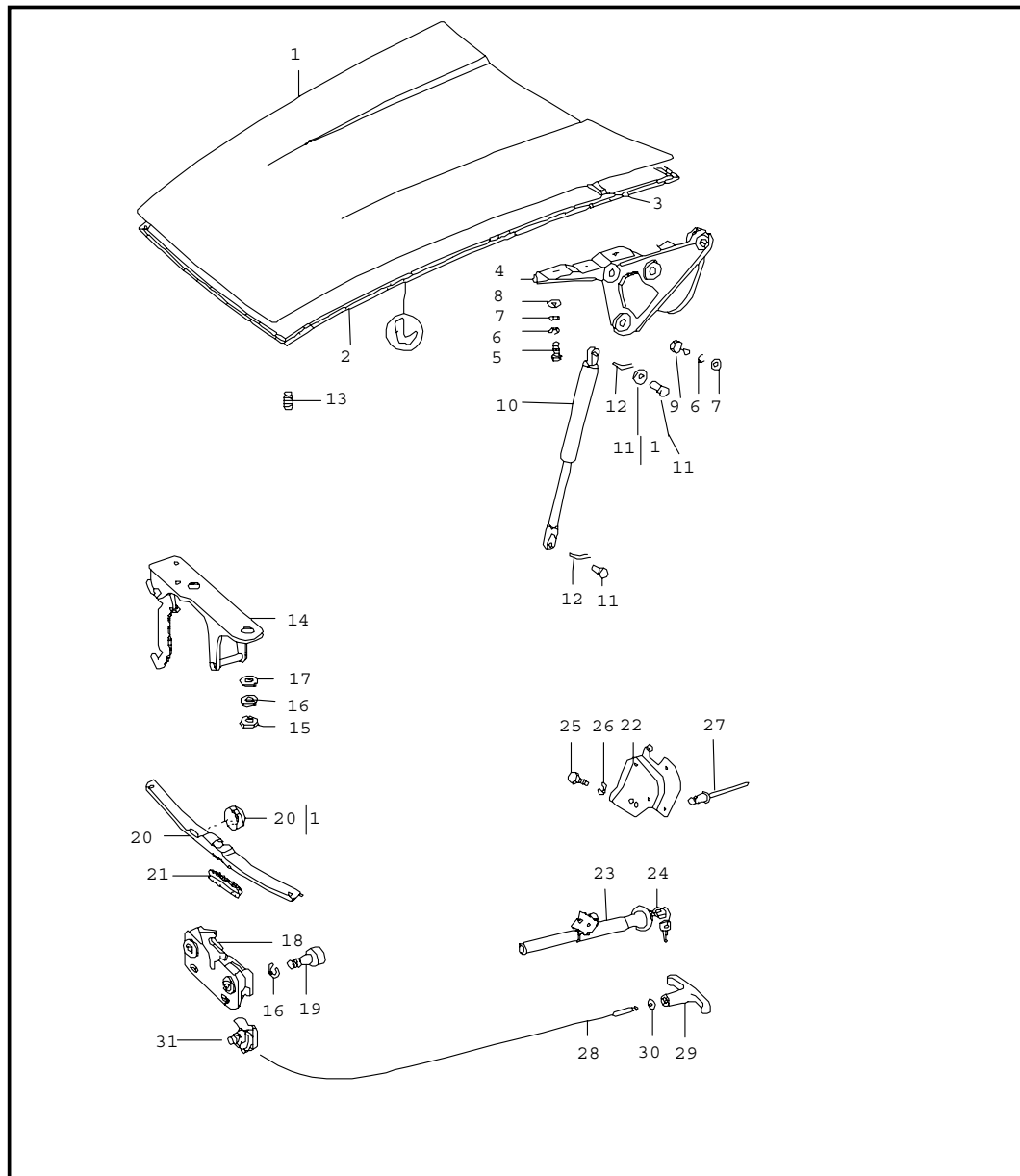


Pos	Part Number	Name	Remarks	Qty	Model
		bumper rear			
1	911 505 167 10	bumper	/H	1	
(2)	930 505 173 00	rear embellisher	/H	1	
3	911 505 345 00	piping		1	
4	999 141 002 02	half-round screw M 6 X 12		8	
5	N 011 524 7	washer A 6,4		8	
(6)	930 505 089 00	protective moulding	/L	1	
(6)	930 505 100 00	protective moulding	/R	1	
7	999 141 001 02	half-round screw M 5 X 12		2	
9	911 505 327 00	plug		1	
10	900 014 066 02	pan-head screw M 5 X 18		2	
11	914 552 233 10	filler piece		4	
12	900 910 009 02	lock nut M 5		2	
13	900 151 027 02	washer B 5,3		2	
14	911 799 505 65	bellows	/L	1	
(14)	911 799 505 66	bellows	/R	1	
14/1	911 505 376 00	clamp		2	
15	900 910 009 02	lock nut NM 5		8	
15/1	901 511 791 21	rubber washer		8	
15/2	900 025 003 02	washer A 5,3		8	
16	911 505 347 00	rubber sleeve		2	
17	911 505 341 00	buffer	/H/L	1	
(17)	911 505 341 02	buffer	/H/L 75-	1	
(17)	911 505 342 00	buffer	/H/R	1	
(17)	911 505 342 02	buffer	/H/R 75-	1	

Model	Year	MG	SG	Illustration	Restrictions	Update	10:09	21.08.2006	PORSCHE	PET	PORSCHE
911t	77	8	02	802-05		203					

Pos	Part Number	Name	Remarks	Qty	Model	Pos	Part Number	Name	Remarks	Qty	Model
18	900 084 004 02	hexagon nut M 8		X		34	911 503 085 05	seal		1	
19	900 025 007 02	washer 8,4		X		35	N 013 970 5	tapping screw B 4,8 X 9,5		5	
20	900 084 004 02	hexagon nut M 8	-76	4		36	999 507 019 02	speed nut BM 4,8		5	
20	N 011 185 6	hexagon nut M 10	77-	4				- - - E N D - - -			
21	900 151 008 02	washer B 8,4	-76	4							
21	900 025 008 02	washer 10,5	77-	4							
22	911 505 311 00	desk pad		2							
23	911 505 046 03	impact pipe	/H -76	2							
23	911 505 046 03	impact pipe	/H 77-	2							
24	A 911 505 280 03	impact absorber	/H -76	2							
24	911 505 280 03	impact absorber	/H 77-	2							
25	900 084 004 02	hexagon nut M 8	-76	2							
25	999 084 608 02	hexagon nut M 12	77-	2							
26	900 151 008 02	washer B 8,4	-76	2							
26	900 025 009 02	washer 13	77-	2							
27	911 505 220 01	desk pad	-76	2							
(27)	911 505 219 01	desk pad	77-	2							
28	911 505 221 00	stop		2							
29	911 505 223 00	supporting bow		2							
30	999 093 010 02	hexagon-head bolt M 8 X 20		4							
31	900 027 005 02	lock ring A 8		4							
33	911 503 157 01	heat protection		1							

Model	Year	MG	SG	Illustration	Restrictions	Update	10:28	21.08.2006	PORSCHE	PET	PORSCHE
911t	77	8	03	803-00		203					



Pos	Part Number	Name	Remarks	Qty	Model
		cover front			
1	911 511 010 01	cover	/V	1	
2	911 511 923 02	sealing frame		1	
3	911 511 127 00	sealing frame TARGA	-75	1	
4	901 511 031 20	hinge	/L	1	
(4)	901 511 032 20	hinge	/R	1	
5	900 067 057 02	pan-head screw M 8 X 20		4	
6	900 027 015 02	lock ring B 8		10	
7	900 025 007 02	washer 8,4		10	
8	900 151 008 02	washer 8,4		*	
9	900 075 209 02	hexagon-head bolt M 8 X 20		6	
10	911 511 331 01	gas-filled strut		2	
(11)	900 087 011 02	bolt	75-76	4	
(11)	999 166 043 02	bolt	77-	4	
11/1	911 511 332 00	spacer	75-	2	
12	N 012 645 2	lock		4	
13	999 703 036 50	rubber stop		2	
14	911 511 051 02	lock upper part		1	
15	900 076 010 02	hexagon nut M 6		2	
16	N 012 007 2	lock ring A 6		4	
17	900 151 006 09	washer B 6,4		2	
18	911 511 052 01	lock lower part	/V	1	
19	N 014 743 2	pan-head screw M 6 X 30		2	

Model	Year	MG	SG	Illustration	Restrictions	Update	10:28	21.08.2006	PORSCHE	PET	PORSCHE
911t	77	8	03	803-00		203					

Pos	Part Number	Name	Remarks	Qty	Model	Pos	Part Number	Name	Remarks	Qty	Model
20	911 555 085 00	cover for cross panel		1							
20/1	999 703 119 40	plug		2							
21	911 555 375 40	protective edging		1							
22	911 511 725 43	support for lock		1							
B+24	911 511 903 00	lock with 2 secondary keys w/o stipulated lock number		1							
B+24	911 511 904 00	lock with 2 secondary keys state lock number		1							
24	914 531 903 11	blank key state lock number		2							
(24)	911 531 945 00	blank key with light without battery	76-	2							
(24)	911 531 946 00	main key with light without battery state lock number	76-	2							
24	914 531 637 10	main key state lock number		2							
(24)	914 531 903 10	blank key		2							
25	N 010 225 4	hexagon-head bolt M 5 X 8		2							
26	900 027 003 01	lock ring A 5		2							
27	999 190 113 02	blind rivet		4							
28	901 511 073 20	lid-release cable		1							
29	901 552 813 20	handle		1							
30	901 511 791 21	rubber washer		1							
31	911 511 067 00	clamp		1							
- - - E N D - - -											

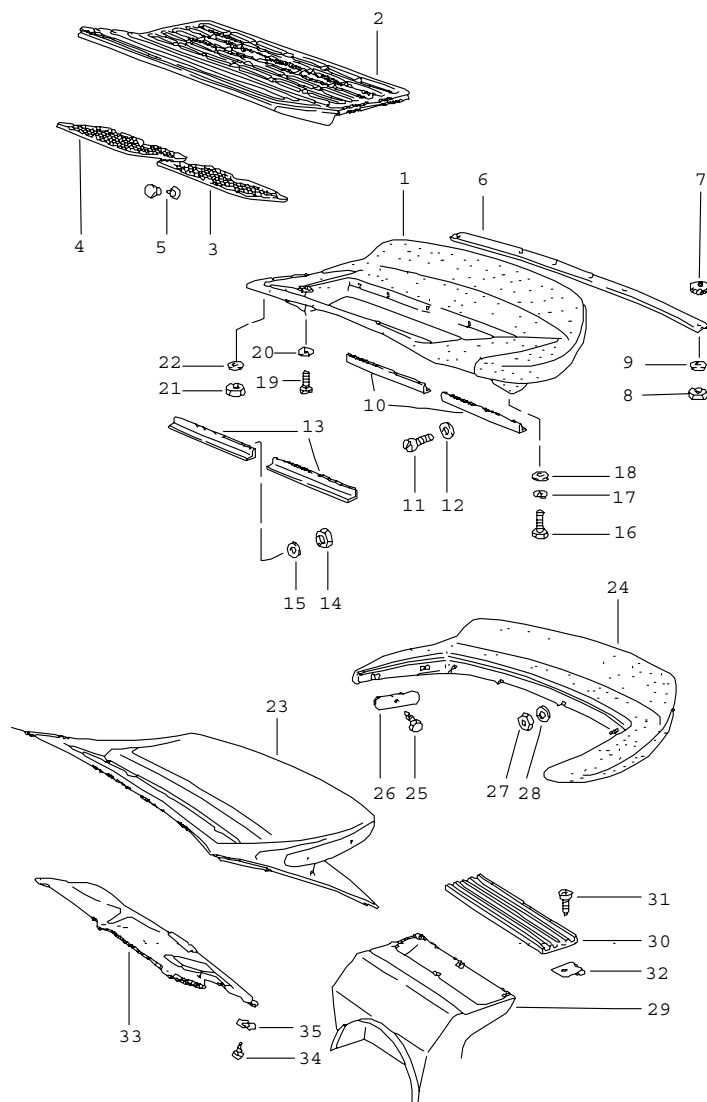
Model	Year	MG	SG	Illustration	Restrictions	Update	10:29	21.08.2006	PORSCHE	PET	PORSCHE
911t	77	8	03	803-05		203					

Pos	Part Number	Name	Remarks	Qty	Model
		cover rear			
1	911 512 903 01	cover	/H	1	
13	911 512 129 00	gasket		1	
14	911 559 411 00	ventilation grille		1	
15	911 559 433 00	t-headed screw		X	
16	911 559 435 00	spacer		6	
17	113 951 539	washer		6	
18	900 151 027 02	washer B 5,3		6	
19	900 910 009 02	lock nut NM 5		6	
20	911 559 151 01	base		6	
21	911 512 035 00	hinge	/L	1	
22	901 512 036 20	hinge	/R	1	
23	930 512 039 00	fastening plate air conditioner		1	
24	900 075 016 02	hexagon-head bolt M 6 X 22		1	
24	900 378 030 09	hexagon-head bolt M 6 X 20		1	
25	N 012 226 5	spring washer B 6		1	
26	900 076 010 02	hexagon nut M 6		1	
27	N 011 524 7	washer 6,4		1	
28	900 067 011 02	pan-head screw M 6 X 20		4	
29	900 027 014 01	lock ring B 6		4	
30	900 025 028 02	washer B 6,4		4	
31	900 151 006 09	washer B 6,4		X	
32	901 512 471 20	bolt		2	

Model	Year	MG	SG	Illustration	Restrictions	Update	10:29	21.08.2006	PORSCHE	PET	PORSCHE
911t	77	8	03	803-05		203					

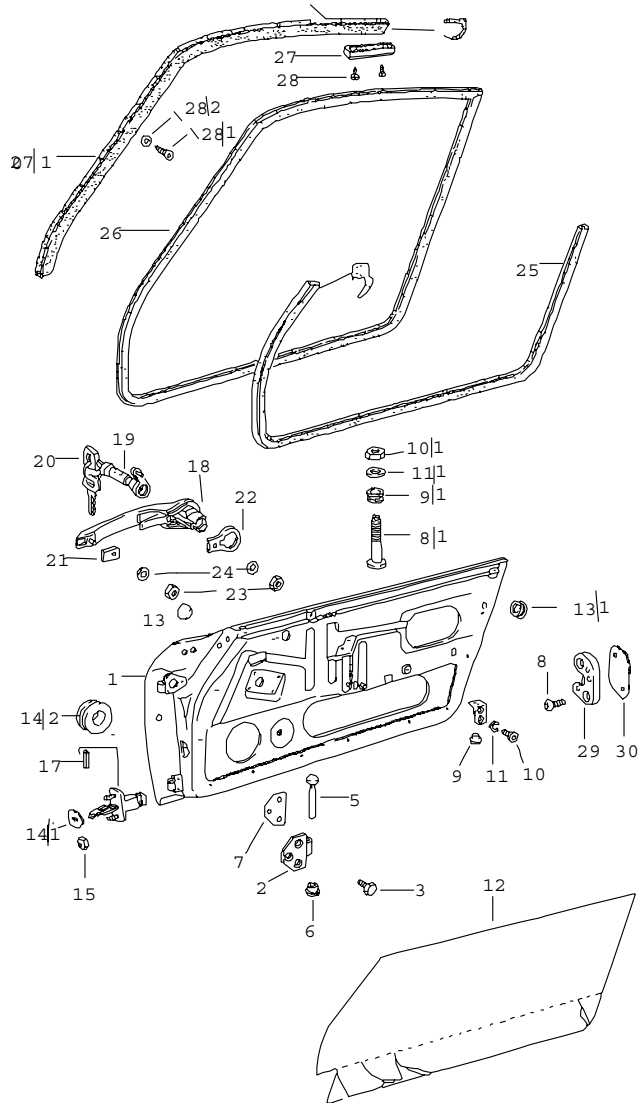
Pos	Part Number	Name	Remarks	Qty	Model	Pos	Part Number	Name	Remarks	Qty	Model
33	900 910 023 02	lock nut M 8		2							
34	900 025 007 02	washer 8,4		2							
(35)	911 512 331 02	gas-filled strut	75-76	1							
(35)	911 512 331 02	gas-filled strut air conditioner		2							
36	999 087 003 02	bolt	-76	2							
36	999 166 043 02	bolt		2							
36	999 087 003 02	bolt air conditioner	-76	3							
36	999 166 043 02	bolt air conditioner		3							
37	911 511 332 00	spacer		1							
38	N 012 645 2	lock		2							
38	N 012 645 2	lock air conditioner		3							
39	999 703 140 40	rubber buffer		2							
40	999 703 013 50	plug		2							
(41)	930 512 052 00	lock upper part		1							
(42)	900 378 030 09	hexagon-head bolt M 6 X 20		2							
43	900 075 162 02	hexagon-head bolt M 6 X 16		2							
44	900 027 014 01	lock ring B 6		4							
45	900 151 006 09	washer B 6,4		2							
47	900 025 028 02	washer B 6,4		2							
48	644 511 511 01	return spring		1							
49	901 511 073 20	lid-release cable		1							
50	901 552 813 20	handle		1							
(51)	911 512 531 00	grommet	76-	1							
- - - E N D - - -											

Model	Year	MG	SG	Illustration	Restrictions	Update	10:29	21.08.2006	PORSCHE	PET	PORSCHE
911t	77	8	03	803-10		203					



Pos	Part Number	Name	Remarks	Qty	Model
		rear spoiler			
24	911 512 019 00	rear spoiler		1	
25	900 187 023 02	hexagon-head tapping screw B 5,5 X 16		2	
26	901 504 755 20	tensioning spring		2	
27	900 910 009 02	lock nut NM 5		4	
28	900 151 027 02	washer 5,3		4	
30	930 559 041 00	ventilation grille		1	
(30)	930 559 041 01	ventilation grille air conditioner		1	
31	900 143 047 07	tapping screw B 4,2 X 19		6	
(31)	N 014 117 9	oval-head screw M 4 X 16 air conditioner		6	
32	999 507 240 00	speed nut B 4,2		6	
(32)	999 507 311 12	speed nut M 4	M	1	
(33)	930 512 165 00	cover plate		1	
34	900 143 001 02	tapping screw B 2,9 X 6,5		9	
35	900 114 013 02	shake-proof washer A 3,2		9	
- - - E N D - - -					

Model	Year	MG	SG	Illustration	Restrictions	Update	10:30	21.08.2006	PORSCHE	PET	PORSCHE
911t	77	8	04	804-00		203					

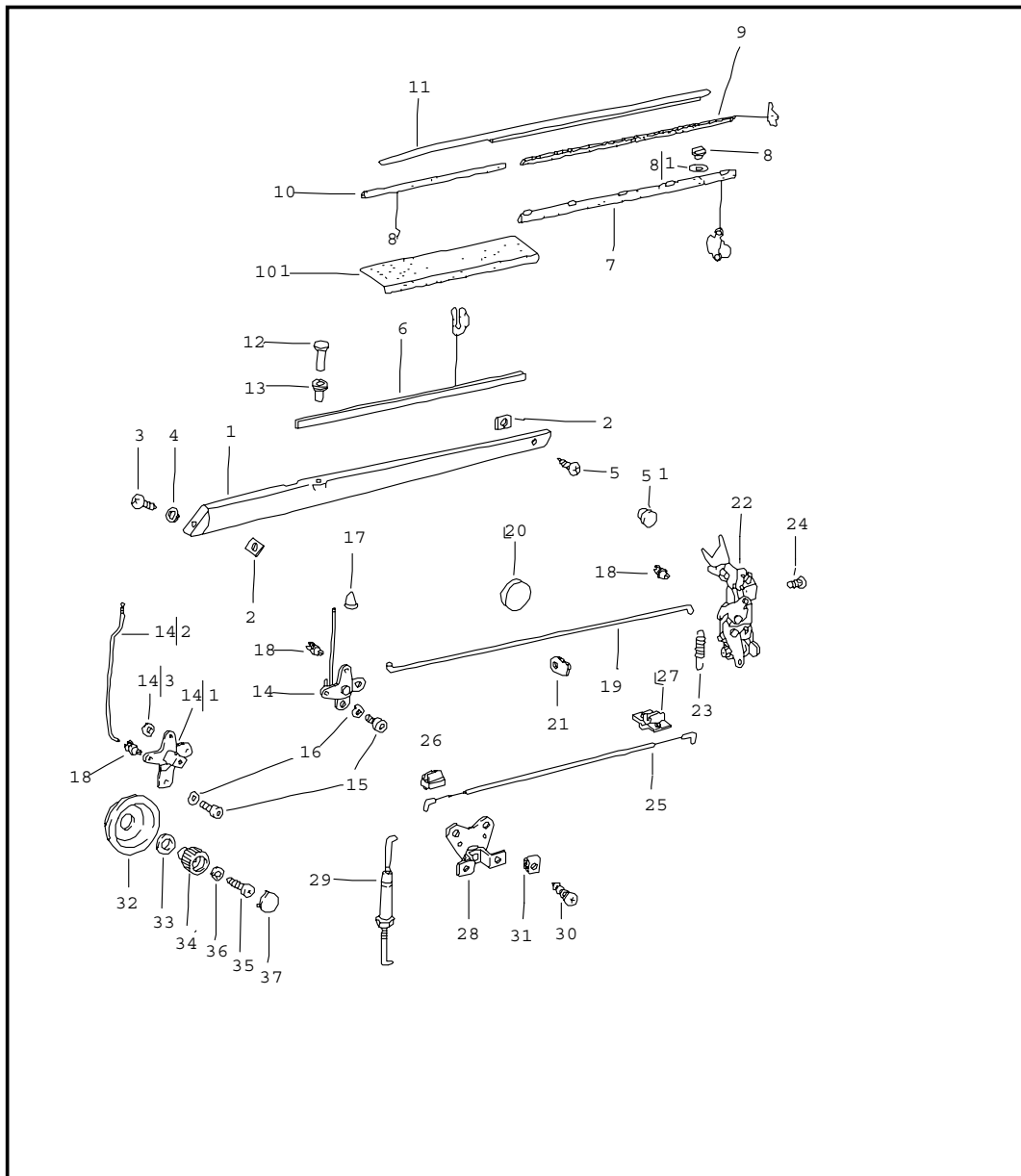


Pos	Part Number	Name	Remarks	Qty	Model
		door with installation parts			
(1)	911 531 005 09	bare door shell	/L 76-	1	
1	911 531 006 09	bare door shell	/R 76-	1	
2	901 531 303 21	hinge arm		4	
3	999 093 010 02	hexagon-head bolt M 8 X 20		12	
5	901 531 305 20	pin for door hinge		4	
6	901 531 311 20	bush		8	
7	901 531 391 20	desk pad		4	
(12)	911 531 889 00	seal	/L	1	
12	911 531 890 00	seal	/R	1	
13	999 703 119 40	plug		16	
14	911 531 057 01	door support		2	
14/1	911 531 291 00	seal		2	
15	900 084 010 02	hexagon nut M 6		4	
(17)	900 309 032 02	spiral clamping pin	76-	2	
18	911 531 941 00	outer door handle chrome without lock cylinder		2	
(18)	911 531 941 28	outer door handle black without lock cylinder		2	
9+20	911 531 943 00	lock cylinder with 2 secondary keys w/o stipulated lock number	/L	1	
9+20	911 531 947 00	lock cylinder with 2 secondary keys state lock number	/L	1	
9+20	911 531 944 00	lock cylinder with 2 secondary keys w/o stipulated lock number	/R	1	
9+20	911 531 948 00	lock cylinder with 2 secondary keys state lock number	/R	1	

Model	Year	MG	SG	Illustration	Restrictions	Update	10:30	21.08.2006	PORSCHE	PET	PORSCHE
911t	77	8	04	804-00		203					

Pos	Part Number	Name	Remarks	Qty	Model	Pos	Part Number	Name	Remarks	Qty	Model
(20)	911 531 945 00	blank key with light without battery	76-	2		28/2	999 591 009 12	washer 3,5 MS chrome	77-	30	
(20)	911 531 946 00	main key with light without battery state lock number	76-	2		(29)	993 531 029 00	door lock striker	/L	1	
(20)	914 531 637 10	main key state lock number		2		29	993 531 030 00	door lock striker	/R	1	
20	914 531 903 11	blank key state lock number		2		30	901 531 703 23	shim 1 MM		X	
(20)	914 531 903 10	blank key for main key		2		(30)	901 531 703 24	shim 2 MM		X	
(20)	914 531 903 11	blank key for secondary key		2		31	999 219 008 00	countersunk-head screw M 8 X 40		4	
21	911 531 631 00	desk pad	/V	2					- - - E N D - - -		
22	911 531 632 00	desk pad	/H	2							
23	999 084 102 02	lock nut		4							
24	900 025 003 02	washer 5,3		4							
(26)	911 531 095 02	door sealing	/L/R 76-	1							
27	901 531 753 00	stop	-75	2							
(27)	911 531 753 02	stop	76	2							
-	911 531 757 00	desk pad for stop	76	X							
27/1	911 542 403 01	sealing rail	/L 77-	1							
27/1	911 542 404 01	sealing rail	/R 77-	1							
28	N 013 954 2	oval-head sheetmetal screw B 2,9 X 13	-76	4							
28/1	900 145 081 00	tapping screw B 2,9 X 6,5	77-	30							

Model	Year	MG	SG	Illustration	Restrictions	Update	10:30	21.08.2006	PORSCHE	PET	PORSCHE
911t	77	8	04	804-05		203					



Pos	Part Number	Name	Remarks	Qty	Model
1	-	installation parts for door		X	
	-	see group 8/07/10			
2	999 591 338 02	speed nut		4	
3	900 145 071 07	tapping screw B 3,5 X 16		2	
4	999 591 116 07	cone washer		2	
5	N 013 958 7	tapping screw B 3,5 X 13		2	
5/1	914 552 233 10	filler piece		2	
(6)	911 531 951 01	sealing for door slot	/L	1	
6	911 531 952 00	sealing for door slot	/R	1	
(7)	901 531 935 20	sealing for door slot	/L	1	
7	901 531 936 20	sealing for door slot	/R	1	
8	999 591 326 02	moulding clip		14	
8/1	911 531 309 00	ring		14	
(9)	911 531 931 02	sealing	/L	1	
9	911 531 932 02	sealing	/R	1	
10	901 531 933 20	sealing		2	
10/1	999 915 706 00	adhesive tape 19 X300		2	
(11)	901 531 431 27	moulding	/L M	1	
(11)	901 531 431 30	moulding black	/L	1	
11	901 531 432 27	moulding	/R	1	
11	901 531 432 28	moulding black	/R -76	1	
11	901 531 432 30	moulding black	/R 77-	1	
12	901 531 671 21	push button	-76	2	
(12)	928 555 359 02	knob	77-	2	
13	901 531 481 22	guide sleeve	-76	2	

Model	Year	MG	SG	Illustration	Restrictions	Update	10:30	21.08.2006	PORSCHE	PET	PORSCHE
911t	77	8	04	804-05		203					

Pos	Part Number	Name	Remarks	Qty	Model	Pos	Part Number	Name	Remarks	Qty	Model
(13)	928 555 565 02	guide sleeve	77-	2		29	911 531 091 00	pull rod		2	
(14)	911 531 075 00	mounting for push-button	/L -76	1		30	900 145 028 02	tapping screw B 3,9 X 13		4	
14/1	911 531 075 01	mounting for push-button	/L 77-	1		31	999 507 009 02	speed nut § 3,5		4	
14	911 531 076 00	mounting for push-button	/R -76	1		32	911 531 692 00	covering	77-	2	
14/1	911 531 076 01	mounting for push-button	/R 77-	1		33	911 531 705 00	spacer ring	77-	X	
14/2	911 531 707 00	rod for push-button	/L 77-	1		34	911 531 696 00	rotary knob	77-	2	
14/2	911 531 708 00	rod for push-button	/R 77-	1		35	N 014 133 8	oval-head screw AM 5 X 12	77-	2	
14/3	N 011 524 7	washer 6,4	77-	4		36	900 115 002 01	serrated lock washer J 5,3	77-	2	
15	900 067 134 02	pan-head screw M 5 X 8	-75	4		37	911 531 703 00	cap	77-	2	
(15)	900 186 147 02	pan-head screw M 6 X 10	76-	4				- - - E N D - - -			
(16)	900 028 008 01	spring washer B 6	76-	4							
17	999 591 311 40	bush		2							
18	993 531 563 00	linkage clip		10							
19	911 531 562 00	connecting rod		2							
20	911 531 599 00	rubber washer		4							
21	911 531 565 00	rubber mounting		4							
(22)	911 531 053 06	door lock with release	/L	1							
22	911 531 054 05	door lock without release	/LL/R	1							
23	993 531 165 00	tension spring		2							
24	900 148 018 04	rais. counters. h. tap. s. AM 6 X 12		6							
25	911 531 509 00	bowden cable	/L	1							
(25)	911 531 510 00	bowden cable	/R	1							
26	911 531 097 00	support	/V	2							
27	911 531 099 00	support	/H	2							
28	911 531 083 00	relay lever		2							

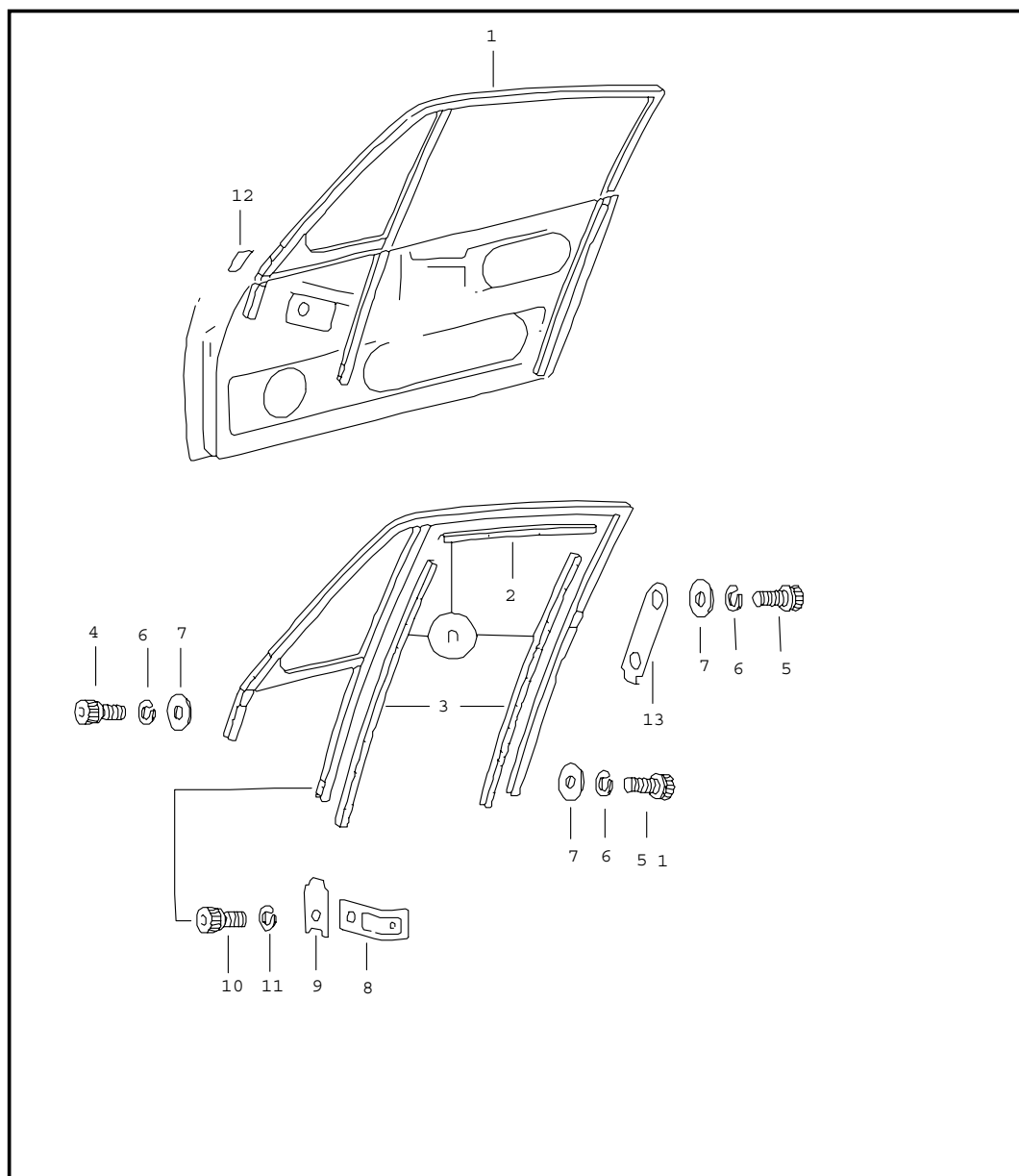
Model	Year	MG	SG	Illustration	Restrictions	Update	10:30	21.08.2006	PORSCHE	PET	PORSCHE
911t	77	8	04	804-10		203					

Pos	Part Number	Name	Remarks	Qty	Model
		power windows			
(10)	911 542 003 26	power window	/L	1	
10	911 542 004 26	power window	/R	1	
10/1	911 542 929 00	power windows	/L	1	
10/1	911 542 930 00	power windows	/R	1	
10/2	999 093 004 02	hexagon-head bolt M 6 X 16		6	
11	N 010 210 13	hexagon-head bolt M 6 X 10		8	
11/1	N 012 006 4	lock ring B 6		8	
11/2	N 011 524 7	washer 6,4		8	
(12)	911 624 015 01	motor	/L	1	
12	911 624 014 01	motor	/R	1	
13	901 542 063 00	stop		2	
13/1	N 012 222 4	spring washer A 5		4	
13/2	900 119 011 02	pan-head screw M 5 X 10		4	
15	901 531 083 00	bracket		2	
16	900 014 013 02	pan-head screw M 4 X 10		4	
17	900 027 011 01	lock ring B 4		4	
18	901 612 898 00	cable connection 5-pole		2	
19	900 143 007 02	tapping screw B 4,2 X 13		4	
20	911 613 623 01	grommet		3	
21	911 613 637 00	seal	/L	3	
22	911 613 638 00	seal	/R	1	
23	911 613 621 03	switch		3	
24	911 613 635 20	wiper frame		3	

Model	Year	MG	SG	Illustration	Restrictions	Update					
911t	77	8	04	804-10		203	10:30	21.08.2006	PORSCHE	PET	PORSCHE

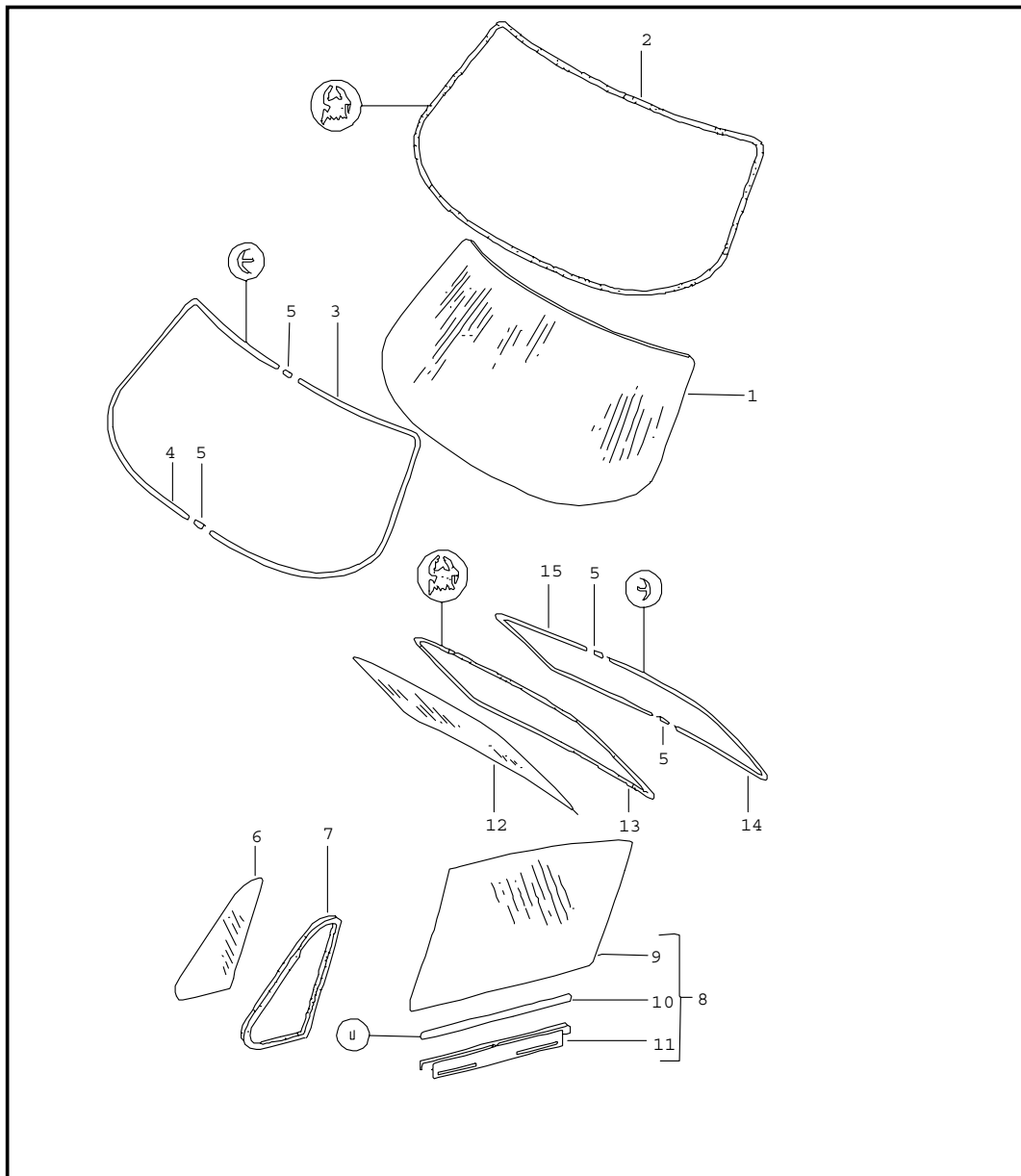
Pos	Part Number	Name	Remarks	Qty	Model	Pos	Part Number	Name	Remarks	Qty	Model
		- - - E N D - - -									

Model	Year	MG	SG	Illustration	Restrictions	Update	10:30	21.08.2006	PORSCHE	PET	PORSCHE
911t	77	8	04	804-15		203					



Pos	Part Number	Name	Remarks	Qty	Model
		door glass frame			
(1)	901 542 021 27	door glass frame chrome	/L	1	
(1)	901 542 021 28	door glass frame black	/L	1	
1	901 542 022 27	door glass frame chrome	/R	1	
1	901 542 022 28	door glass frame black	/R	1	
2+3	911 542 905 00	window guide	/L/R	2	
4	900 119 052 02	pan-head screw M 8 X 16		4	
5	999 218 008 02	pan-head screw M 8 X 12		2	
5/1	900 119 052 02	pan-head screw M 8 X 16		2	
6	900 027 015 02	lock ring B 8		8	
7	900 025 007 02	washer 8,4		8	
8	911 542 061 00	retaining bracket		2	
9	901 542 252 25	desk pad		2	
10	900 119 052 02	pan-head screw M 8 X 16		2	
11	900 027 015 02	lock ring B 8		2	
(12)	911 531 711 01	joint rubber	/V/L	1	
12	911 531 712 01	joint rubber	/V/R	1	
-	999 591 429 40	expansion rivet		2	
(12)	911 531 713 01	joint rubber	/H/L	1	
(12)	911 531 714 01	joint rubber	/H/R	1	
13	901 542 299 25	cover plate		2	
- - - E N D - - -					

Model	Year	MG	SG	Illustration	Restrictions	Update	10:30	21.08.2006	PORSCHE	PET	PORSCHE
911t	77	8	05	805-00		203					



Pos	Part Number	Name	Remarks	Qty	Model
		windows front rear			
1	901 541 101 24	windscreen		1	
(1)	901 541 101 34	windscreen tinted		1	
(1)	911 541 101 04	windscreen tinted heated		1	
(2)	911 541 225 00	windscreen sealing for (USA), (PUERTO RICO)	/LL	1	
3	901 541 911 20	trim frame-half chrome	/L	1	
3	901 541 911 28	trim frame-half black	/L	1	
4	901 541 912 20	trim frame-half chrome	/R	1	
4	901 541 912 28	trim frame-half black	/R	1	
5	644 541 921 06	covering plate chrome		1	
5	911 541 921 28	covering plate black		1	
6	901 542 501 27	side window	/V/L	1	
(6)	911 542 511 00	side window tinted	/V/L	1	
(6)	901 542 502 27	side window	/V/R	1	
(6)	911 542 512 00	side window tinted	/V/R	1	
7	901 542 921 21	sealing frame	/L	1	
(7)	901 542 922 21	sealing frame	/R	1	
8	901 542 011 27	door glass	/L	1	
(8)	901 542 011 37	door glass tinted	/L	1	
(8)	901 542 012 27	door glass	/R	1	
(8)	901 542 012 37	door glass tinted	/R	1	

Model	Year	MG	SG	Illustration	Restrictions	Update	10:30	21.08.2006	PORSCHE	PET	PORSCHE
911t	77	8	05	805-00		203					

Pos	Part Number	Name	Remarks	Qty	Model	Pos	Part Number	Name	Remarks	Qty	Model
9	901 542 101 25	door glass	/L	1							
(9)	901 542 101 35	door glass tinted	/L	1							
(9)	901 542 102 25	door glass	/R	1							
(9)	901 542 102 35	door glass tinted	/R	1							
10	911 542 491 40	rubber ply		1							
11	901 542 045 23	window lifter rail	/L	1							
(11)	901 542 046 23	window lifter rail	/R	1							
12	911 545 105 00	rear window 150 W heatable		1							
(12)	911 545 107 00	rear window tinted 150/300 W two-stage heatable		1							
13	901 545 901 21	sealing frame		1							
14	901 545 911 20	trim frame-half chrome	/L	1							
(14)	901 545 911 28	trim frame-half black	/L	1							
15	901 545 912 20	trim frame-half chrome	/R	1							
(15)	901 545 912 28	trim frame-half black	/R	1							
		- - - E N D - - -									

Model	Year	MG	SG	Illustration	Restrictions	Update	10:31	21.08.2006	PORSCHE	PET	PORSCHE
911t	77	8	05	805-05		203					

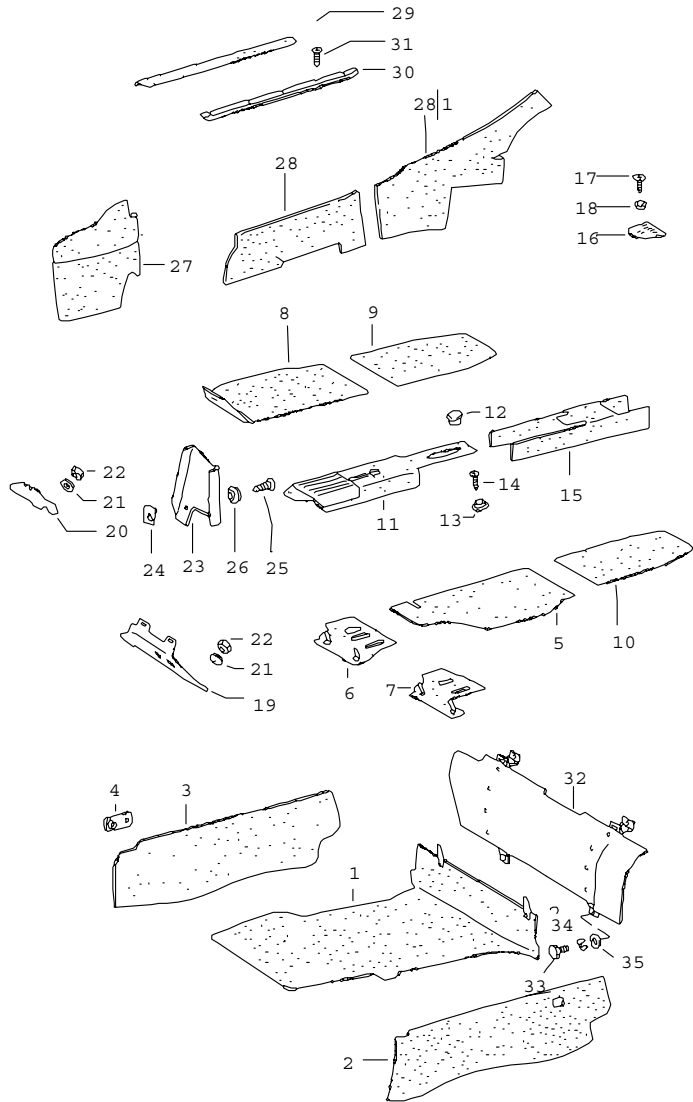
Pos	Part Number	Name	Remarks	Qty	Model
		windows lateral			
1	901 543 101 20	side window glass	/L	1	
(1)	901 543 101 30	side window glass tinted	/L	1	
(1)	901 543 102 20	side window glass	/R	1	
(1)	901 543 102 30	side window glass tinted	/R	1	
2	901 543 191 20	sealing frame		2	
3	901 543 015 25	support frame chrome	/L	1	
(3)	901 543 015 28	support frame black	/L	1	
(3)	901 543 016 25	support frame chrome	/R	1	
(3)	901 543 016 28	support frame black	/R	1	
4	901 543 901 20	sealing frame	/L	1	
(4)	901 543 902 20	sealing frame	/R	1	
6	999 911 041 00	protective edging	/L/R	2	
7	901 543 423 00	protective edging		2	
8	901 543 041 21	hinge chrome	/L	1	
(8)	901 543 041 28	hinge black	/L	1	
(8)	901 543 042 21	hinge chrome	/R	1	
(8)	901 543 042 28	hinge black	/R	1	
9	901 543 491 21	desk pad		2	
10	644 543 416 00	threaded bolt chrome		2	
(10)	901 543 416 28	threaded bolt black		2	
11	900 148 023 02	rais. counters. h. tap. s. AM 4 X 15 chrome		6	

Model	Year	MG	SG	Illustration	Restrictions	Update	10:31	21.08.2006	PORSCHE	PET	PORSCHE
911t	77	8	05	805-05		203					

Pos	Part Number	Name	Remarks	Qty	Model	Pos	Part Number	Name	Remarks	Qty	Model
(11)	900 148 023 07	lens-head screw AM 4 X 15 black		6		22	900 144 009 00	counters. head tapp. screw B 2,9 X 13		12	
12	900 148 002 02	rais. counters. h. tap. s. AM 4 X 6 chrome		2		(22)	900 144 017 07	tapping screw B 2,9 X 13 black		12	
(12)	900 148 002 07	rais. counters. h. tap. s. AM 4 X 6 black		2				- - - E N D - - -			
(12)	900 148 003 02	rais. counters. h. tap. s. AM 4 X 8 chrome		2							
(12)	900 148 003 07	rais. counters. h. tap. s. AM 4 X 8 black		2							
13	644 552 820 03	knob		2							
14	900 043 002 00	threaded pin M 3 X 4		2							
15	901 543 493 20	sealing strip		2							
16	900 186 143 07	pan-head screw M 5 X 8 black		8							
17	900 025 003 07	washer black	75	8							
17	900 025 026 07	washer	76-	8							
18	901 543 921 25	moulding chrome	/L	1							
18	901 543 921 28	moulding black	/L	1							
(18)	901 543 922 25	moulding chrome	/R	1							
(18)	901 543 922 28	moulding black	/R	1							
19	901 543 419 20	spacer 4,0 MM		6							
20	901 543 422 20	spacer 3,0 MM		2							
21	901 543 421 20	spacer 1,5 MM		2							

Model	Year	MG	SG	Illustration	Restrictions	Update	10:31	21.08.2006	PORSCHE	PET	PORSCHE
911t	77	8	07	807-00		203					

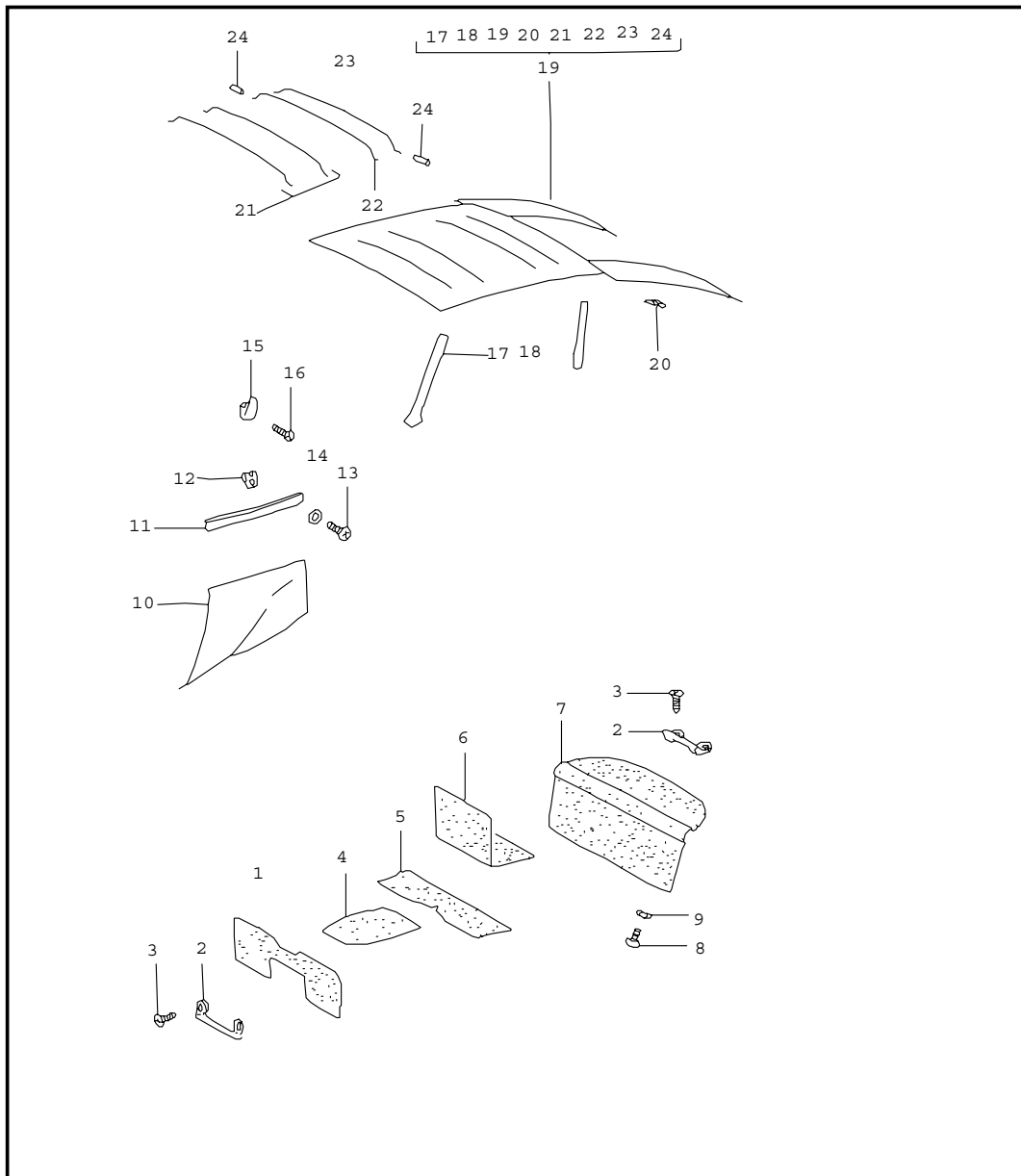
Pos	Part Number	Name	Remarks	Qty	Model
		lining inner front			
1	911 551 045 02	front-compartment carpet	-76	1	
(1)	911 551 045 03	front-compartment carpet brake booster	77-	1	
2	911 551 049 00	front trunk side wall	/L -76	1	
2	911 551 049 02	front trunk side wall	/L 77-	1	
(3)	911 551 050 01	front trunk side wall	/R 76	1	
(3)	911 551 050 01	front trunk side wall	/R 77-	1	
4	911 503 075 00	desk pad		6	
(5)	911 551 021 00	carpet velour pile state colour of carpet	/LL/L	1	
(6)	911 551 015 02	floorboard carpet velour pile state colour of carpet	/LL/L	1	
(8)	911 551 012 10	carpet velour pile state colour of carpet	/LL/R	1	
(8)	911 551 012 11	carpet air conditioner velour pile state colour of carpet	/LL/R	1	
(9)	911 551 014 04	carpet velour pile state colour of carpet	/H/R	1	
(10)	911 551 013 03	carpet velour pile indicate colour	/H/L	1	
(11)	911 551 411 38	carpet for tunnel velour pile state colour of carpet	-76	1	
(11)	911 551 411 39	carpet for tunnel with POS.15 velour pile state colour of carpet	77-	1	
12	999 591 801 17	push button for carpet	-76	2	
13	999 591 805 12	push button	-76	2	



Model	Year	MG	SG	Illustration	Restrictions	Update	10:31	21.08.2006	PORSCHE	PET	PORSCHE
911t	77	8	07	807-00		203					

Pos	Part Number	Name	Remarks	Qty	Model	Pos	Part Number	Name	Remarks	Qty	Model
14	900 145 043 00	tapping screw B 3,5 X 9,5	-76	2		28/1	911 551 034 02	carpet door sill velour pile state colour of carpet	/R	1	
(15)	911 551 413 04	carpet for tunnel velour pile state colour of carpet	/H -76	1		(29)	901 551 115 20	scuff plate	/L	1	
(16)	911 504 008 02	cover tunnel velour pile state colour of carpet	/H	1		29	901 551 116 20	scuff plate	/R	1	
17	900 143 019 07	oval-head sheetmetal screw B 4,8 X 22		4		30	901 551 419 50	cover strip		2	
18	900 031 006 07	washer 5,3		4		31	900 145 041 00	tapping screw B 3,5 X 16		10	
19	911 551 063 02	pedal floor board	/LL/L 76	1		32	911 551 067 00	luggage boot trim	-76	1	
19	911 551 063 04	pedal floor board	/LL/L77-	1		(32)	911 551 067 03	luggage boot trim brake booster	77-	1	
20	901 551 064 22	floorboard	/LL/R	1		33	900 075 260 02	hexagon-head bolt M 6 X 16		4	
21	N 042 121 3	shake-proof washer A 6,4		1		34	N 012 007 2	lock ring A 6		4	
22	900 076 010 02	hexagon nut M 6		1		35	900 151 003 02	washer 6,4		4	
(27)	911 551 041 03	carpet wheel housing panel velour pile state colour of carpet	/V/L	1				- - - E N D - - -			
(27)	911 551 042 05	carpet wheel housing panel velour pile state colour of carpet	/LL/R	1							
(28)	911 551 031 02	carpet door sill velour pile state colour of carpet	/L	1							
(28)	911 551 032 02	carpet door sill velour pile state colour of carpet	/R	1							
28/1	911 551 033 02	carpet door sill velour pile state colour of carpet	/L	1							

Model	Year	MG	SG	Illustration	Restrictions	Update	10:31	21.08.2006	PORSCHE	PET	PORSCHE
911t	77	8	07	807-05		203					

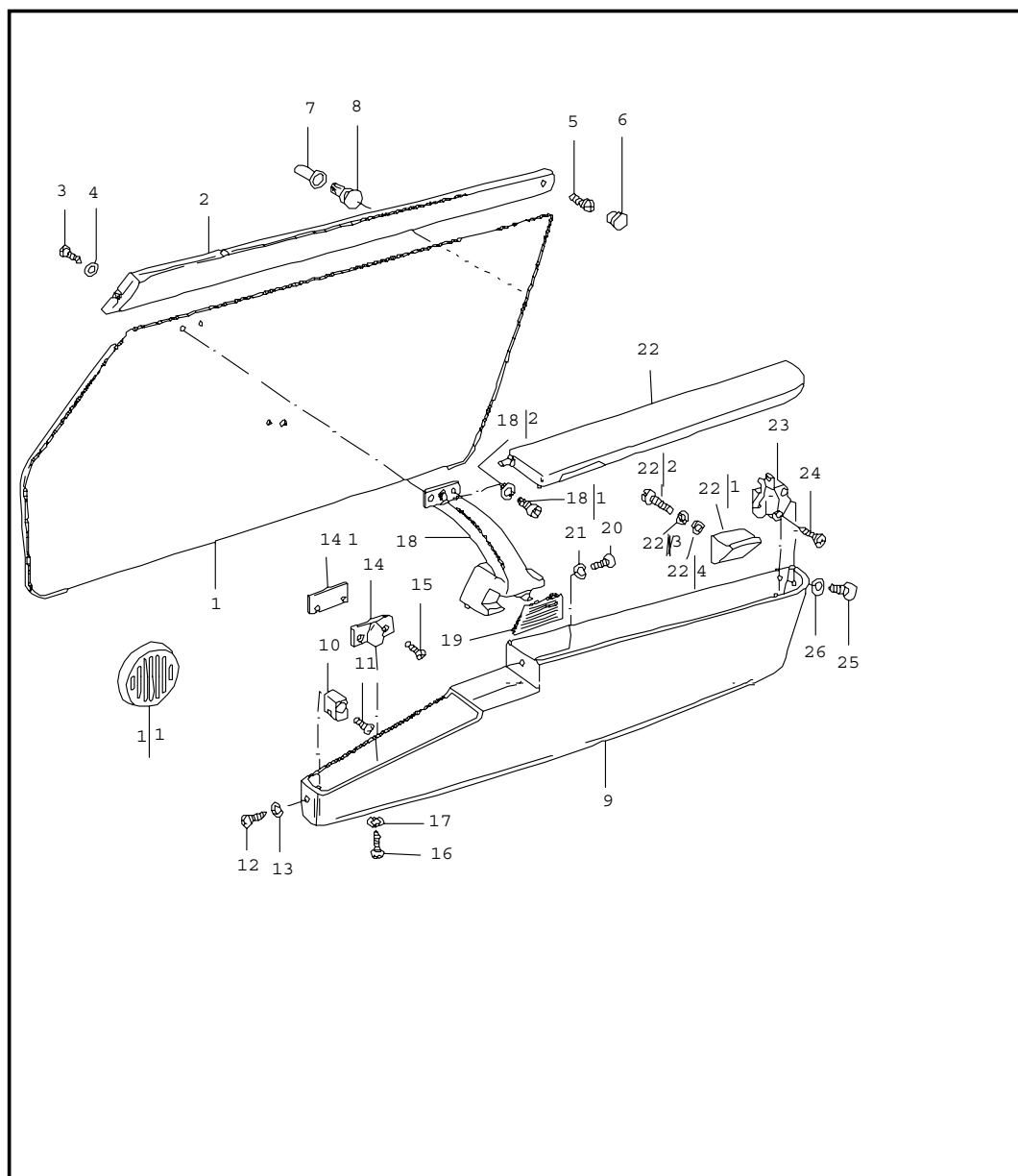


Pos	Part Number	Name	Remarks	Qty	Model
		lining inner rear			
1	911 551 051 03	carpet heel plate velour pile state colour of carpet	-76	1	
1	911 551 051 04	carpet heel plate velour pile state colour of carpet	77-	1	
2	477 885 761	holder		4	
3	900 270 049 07	countersunk-head screw AM 5 X 20	76-	8	
4	911 551 423 04	carpet seat well velour pile state colour of carpet		1	
5	911 551 054 03	carpet seat well velour pile state colour of carpet	/H	1	
(6)	911 522 061 02	carpet back seat backrest velour pile state colour of carpet	/L	1	
(6)	930 522 061 00	carpet with logo back seat backrest velour pile state colour of carpet	/L	1	TURBO
6	911 522 062 02	carpet back seat backrest velour pile state colour of carpet	/R	1	
(7)	911 645 007 10	back wall lining cloth leather indicate colour		1	
(7)	911 645 007 71	back wall lining stereo rear loudspeaker leather indicate colour	-75	1	

Model	Year	MG	SG	Illustration	Restrictions	Update	10:31	21.08.2006	PORSCHE	PET	PORSCHE
911t	77	8	07	807-05		203					

Pos	Part Number	Name	Remarks	Qty	Model	Pos	Part Number	Name	Remarks	Qty	Model
(7)	911 645 007 80	back wall lining stereo rear loudspeaker leather quilted indicate colour	76-	1		16	900 250 007 02	tapping screw AM 5 X 12		2	
8	900 145 072 07	tapping screw B 3,5 X 22		2		17	901 555 507 20	lining windscreen frame part		2	
(8)	900 145 082 07	tapping screw B 3,5 X 38 for stereo rear loudspeaker		2		18	901 555 505 20	lining door pillar		2	
9	999 591 102 17	washer	76-	2		19	911 555 055 01	roof lining beige not for sunroof		1	
(10)	911 555 071 07	side trim panel leatherette indicate colour	/L	1		(19)	911 555 055 02	roof lining black not for sunroof		1	
10	911 555 072 07	side trim panel leatherette indicate colour	/R	1		(19)	911 555 055 11	roof lining beige with picture 17 - 20 for sunroof		1	
(10)	911 555 071 74	side trim panel leather indicate colour	/L	1		(19)	911 555 055 12	roof lining black with picture 17 - 20 for sunroof		1	
10	911 555 072 74	side trim panel leather indicate colour	/R	1		20	999 591 336 01	clamp	/H	5	
-	911 555 757 70	cover lock pillar leather indicate colour	/L	1		(20)	999 591 342 02	u-clamp	/V	5	
-	911 555 758 70	cover lock pillar leather indicate colour	/R	1		21	901 555 511 20	transverse strut 1 + 2		2	
(11)	911 555 091 70	rear covering leather indicate colour	/L	1		22	901 555 512 20	transverse strut 3		1	
11	911 555 092 70	rear covering leather indicate colour	/R	1		23	901 555 513 20	transverse strut 4		1	
12	999 591 338 02	speed nut		4		24	644 555 515 00	rubber profile		8	
13	900 145 071 07	tapping screw B 3,5 X 13		6				- - - E N D - - -			
14	999 591 116 07	cone washer		6							
15	901 552 870 40	coat hook		2							

Model	Year	MG	SG	Illustration	Restrictions	Update	10:31	21.08.2006	PORSCHE	PET	PORSCHE
911t	77	8	07	807-10		203					

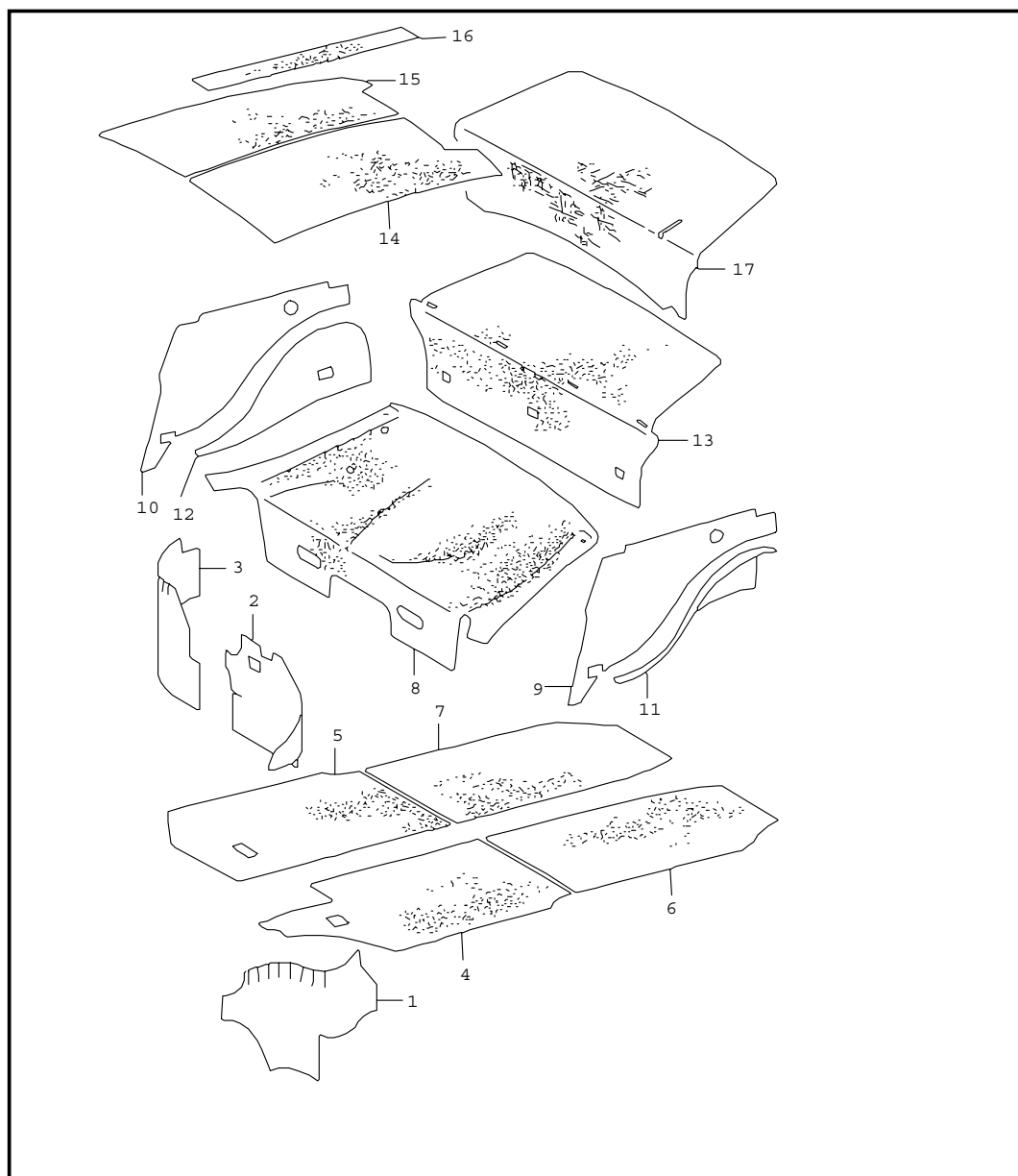


Pos	Part Number	Name	Remarks	Qty	Model
		door trim panel			
(1)	911 555 031 32	door trim panel power window cloth indicate colour	/LL/L77-	1	
(1)	911 555 032 32	door trim panel power window cloth indicate colour	/LL/R77-	1	
(1)	930 555 031 72	door trim panel power window leather quilted indicate colour	/LL/L77-	X	
(1)	930 555 032 72	door trim panel power window leather quilted indicate colour	/LL/R77-	X	
1/1	911 555 013 00	cover door speaker		2	
-	999 507 226 01	clamping washer		6	
(2)	911 555 083 72	cover strip leather indicate colour	/LL/L	X	
(2)	911 555 084 73	cover strip leather indicate colour	/LL/R	X	
3	900 145 071 07	tapping screw B 3,5 X 13		2	
4	999 591 116 07	cone washer		2	
5	N 013 958 7	tapping screw B 3,5 X 13		2	
6	914 552 233 10	filler piece		2	
7	999 591 311 40	bush		6	
8	823 867 299	clip		6	
(9)	930 555 037 01	package box strap leather velour pile state colour of carpet	/L	1	

Model	Year	MG	SG	Illustration	Restrictions	Update	10:31	21.08.2006	PORSCHE	PET	PORSCHE
911t	77	8	07	807-10		203					

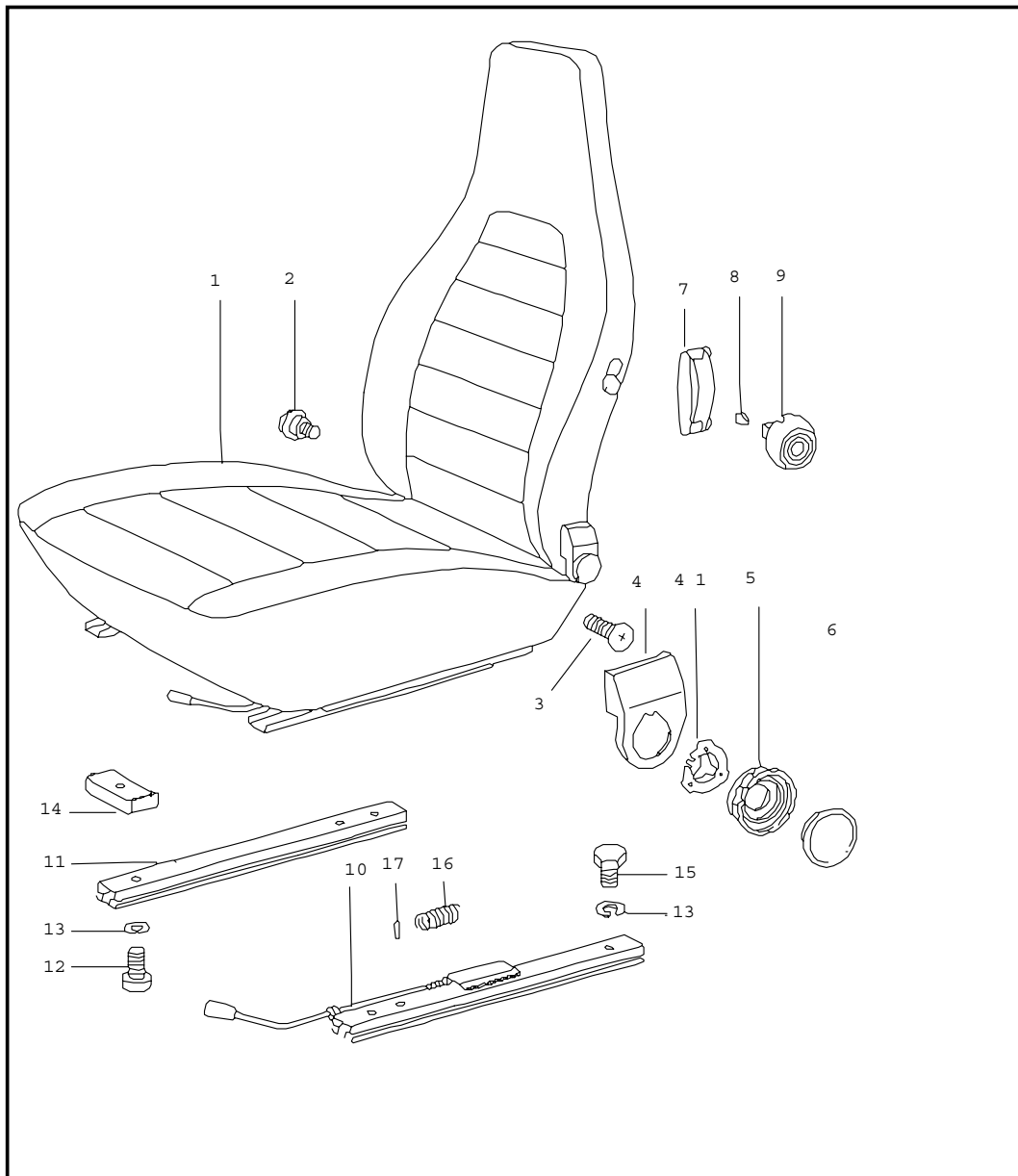
Pos	Part Number	Name	Remarks	Qty	Model	Pos	Part Number	Name	Remarks	Qty	Model
(9)	930 555 038 01	package box strap leather velour pile state colour of carpet	/R	1		20	900 145 075 07	tapping screw B 4,2 X 16		2	
-	930 555 039 00	cover package box velour pile state colour of carpet	/L	1		21	999 591 102 07	protection washer		2	
-	930 555 040 00	cover package box velour pile state colour of carpet	/R	1		(22)	911 555 039 00	cover	/L	1	
10	911 555 391 00	mounting		2		22	911 555 040 00	cover	/R	1	
11	900 143 046 07	tapping screw B 4,8 X 16		2		22/1	914 555 059 10	support		2	
12	N 014 098 6	tapping screw B 4,8 X 16		2		22/2	900 146 011 02	oval-head screw AM 4 X 10		2	
13	999 704 605 07	cone washer	76-	2		22/3	N 012 224 3	spring washer B 4		2	
14	911 555 323 00	mounting	-76	6		22/4	900 151 028 02	washer B 4,3		2	
14/1	911 555 333 00	desk pad	-76	6		(23)	911 555 045 03	bearing	/L	1	
15	900 269 037 07	countersunk-head screw M 4 X 20	-76	12		23	911 555 046 03	bearing	/R	1	
(15)	900 269 058 07	countersunk-head screw M 4 X 25	77-	6		24	900 143 046 07	tapping screw B 4,8 X 16		4	
-	999 591 103 17	protection washer	77-	6		25	N 014 098 6	tapping screw B 4,8 X 16		2	
16	900 145 041 00	tapping screw B 3,5 X 16		6		26	999 704 605 07	cone washer		2	
17	999 591 102 12	protection washer		6				- - - E N D - - -			
(18)	911 555 097 00	handle	/L	1							
18	911 555 098 00	handle	/R	1							
18/1	N 014 761 2	pan-head screw M 6 X 12		4							
18/2	900 028 008 01	spring washer B 6		4							
(19)	911 531 205 00	door opener	/L	1							
19	911 531 206 00	door opener	/R	1							

Model	Year	MG	SG	Illustration	Restrictions	Update	10:31	21.08.2006	PORSCHE	PET	PORSCHE
911t	77	8	07	807-20		203					



Pos	Part Number	Name	Remarks	Qty	Model
		body sound proofing 1			
1	911 556 902 00	damping mat	/V/L	1	
(1)	911 556 902 00	damping mat wheel housing	/V/R	1	
2	911 556 902 00	damping mat pedal floor board	/LL/R	1	
4	911 556 902 00	damping mat	/LL/L	1	
5	911 556 902 00	damping mat	/LL/R	1	
6	911 556 902 00	damping mat floor	/H/L	1	
7	911 556 902 00	damping mat floor	/H/R	1	
(8)	930 556 233 02	damping mat seat well		1	
9	999 913 006 00	sound absorber wheel housing panel upper	/L	1	
10	999 913 006 00	sound absorber wheel housing panel upper	/R	1	
11	999 913 006 00	sound absorber wheel housing panel lower	/L	1	
12	999 913 006 00	sound absorber wheel housing panel lower	/R	1	
(13)	930 556 239 00	sound absorbing plate for rear panel		1	
14	911 556 023 01	damping mat roof	/L	1	
15	911 556 023 01	damping mat roof	/R	1	
16	911 556 248 00	damping strip		4	
17	930 556 891 02	damping mat pour engine compartment		1	
-	999 913 006 00	sound absorber		*	
- - - E N D - - -					

Model	Year	MG	SG	Illustration	Restrictions	Update	10:32	21.08.2006	PORSCHE	PET	PORSCHE
911t	77	8	08	808-00		203					

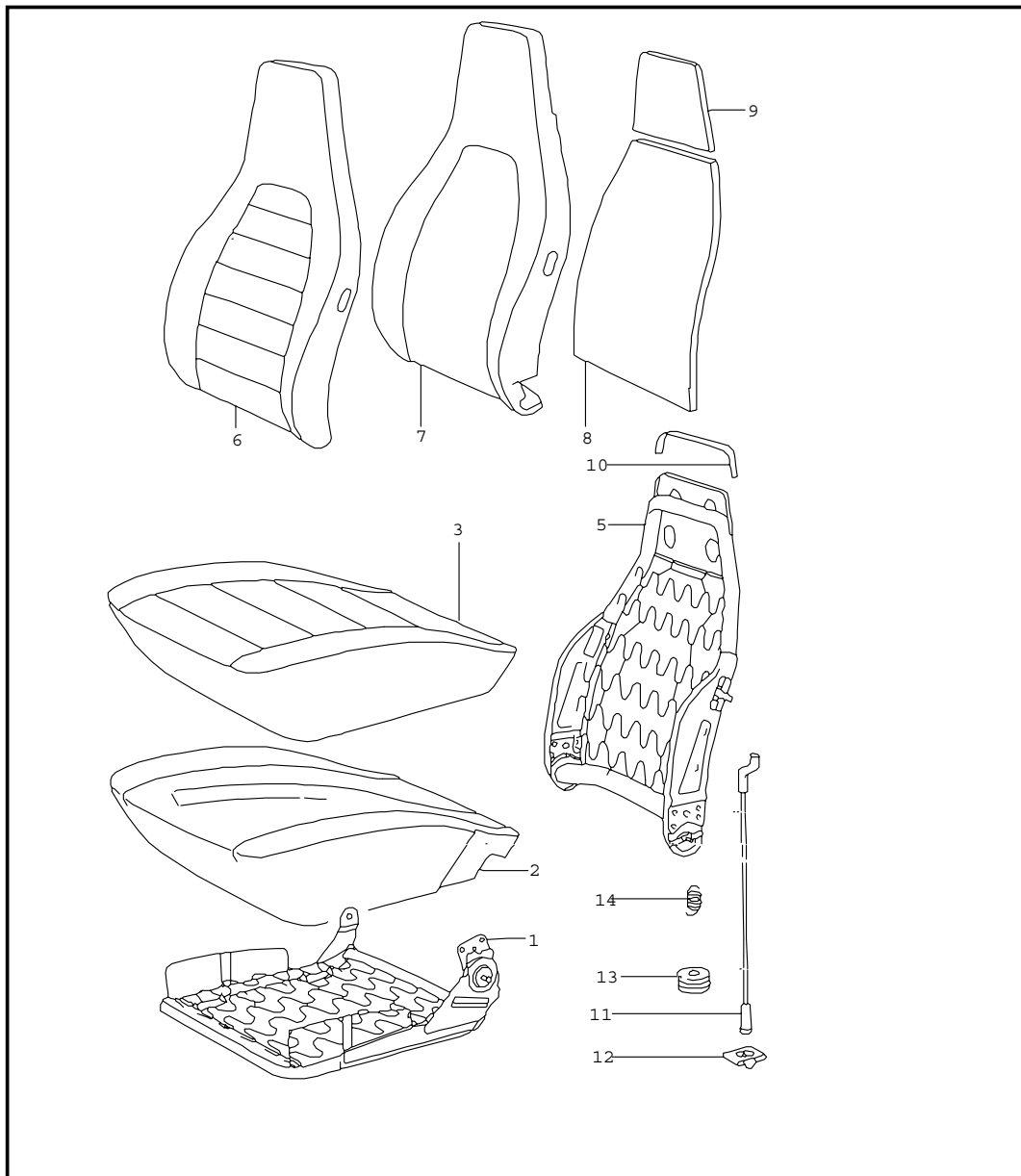


Pos	Part Number	Name	Remarks	Qty	Model
		front seat complete			
(1)	A 911 521 001 60	front seat leather please state the colour	/L -76	1	
(1)	A 911 521 002 60	front seat leather please state the colour	/R -76	1	
(1)	A 911 521 001 84	front seat leather please state the colour	/L 77-	1	
(1)	A 911 521 002 84	front seat leather please state the colour	/R 77-	1	
(1)	A 930 521 001 61	front seat cloth leather please state the colour	/L -76	1	
(1)	A 930 521 002 61	front seat cloth leather please state the colour	/R -76	1	
(1)	A 930 521 001 20	front seat cloth cloth leather please state the colour	/L 77-	1	
(1)	A 930 521 002 20	front seat cloth cloth leather please state the colour	/R 77-	1	
(1)	A 911 521 001 85	front seat cloth leather please state the colour	/L 77-	1	
(1)	A 911 521 002 85	front seat cloth leather please state the colour	/R 77-	1	
2	911 521 371 00	screw		2	
3	911 521 543 00	lens-head screw M 8 X 18		4	
(3)	911 521 547 00	hexagon-head bolt M 10 X 20		4	

Model	Year	MG	SG	Illustration	Restrictions	Update	10:32	21.08.2006	PORSCHE	PET	PORSCHE
911t	77	8	08	808-00		203					

Pos	Part Number	Name	Remarks	Qty	Model	Pos	Part Number	Name	Remarks	Qty	Model
(4)	911 521 359 02	cover	/L	1				- - - E N D - - -			
(4)	911 521 360 02	cover	/R	1							
4/1	911 521 571 00	tensioning spring		2							
5	911 521 381 00	shifting wheel		2							
6	911 521 383 00	cover		2							
7	311 881 607 A	rose		2							
8	311 881 247	clamp		2							
9	113 881 633 E	control button		2							
	01C	satin black									
10	A 911 521 501 00	seat rail	/L	1							
10	A 928 521 489 02	seat rail	/L	1							
(10)	A 911 521 502 00	seat rail	/R	1							
(10)	A 928 521 490 02	seat rail	/R	1							
-	911 521 533 01	handle f.longitudinal adjustment		2							
	01C	satin black									
11	A 944 521 491 00	seat rail		2							
11	944 521 491 00	seat rail see tpi GR. 8 NR. 34		2							
12	N 014 761 2	pan-head screw M 6 X 12		8							
(12)	900 186 038 02	pan-head screw M 6 X 40		8							
13	N 012 006 4	lock ring B 6		16							
14	911 521 493 00	spacer		8							
15	900 075 057 02	hexagon-head bolt M 6 X 16		8							
16	911 521 535 00	return spring	/L	1							
(16)	911 521 536 00	return spring	/R	1							
17	900 012 123 00	pin A 2,5 X 12		2							

Model	Year	MG	SG	Illustration	Restrictions	Update	10:32	21.08.2006	PORSCHE	PET	PORSCHE
911t	77	8	08	808-05		203					



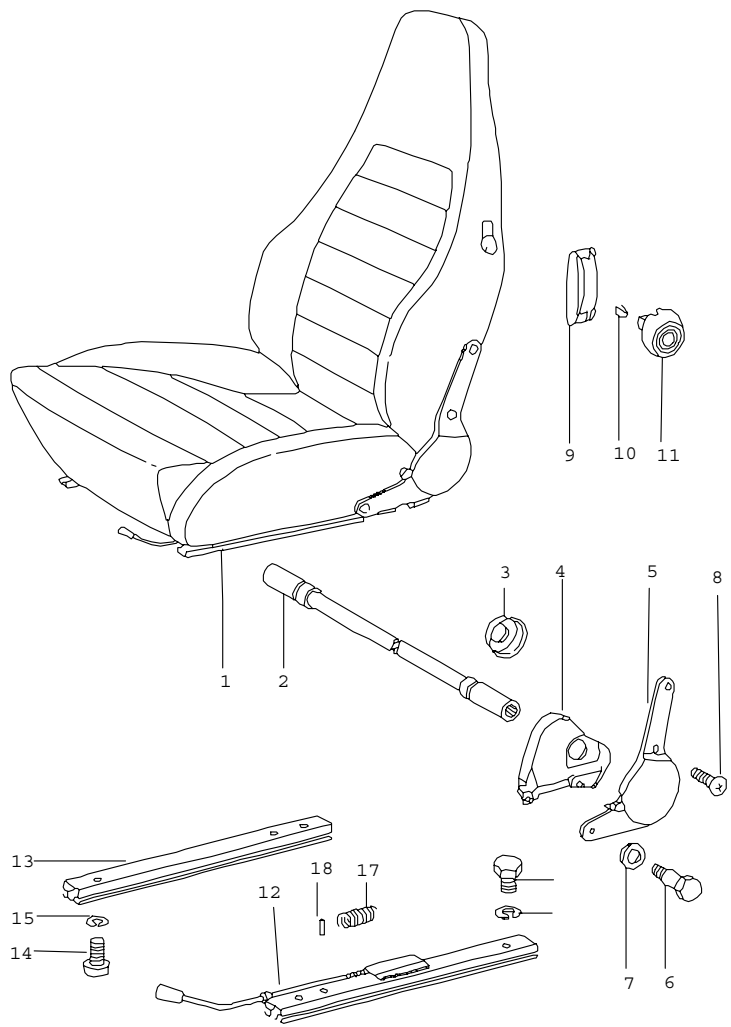
Pos	Part Number	Name	Remarks	Qty	Model
		front seat single parts			
1	911 521 069 56	seat frame	/L	1	
(1)	911 521 070 56	seat frame	/R	1	
(2)	911 521 385 01	foam part seat cushion without contact switch	/L -76	1	
(2)	911 521 386 01	foam part seat cushion without contact switch	/R -76	1	
(2)	911 521 385 02	foam part seat cushion	/L 77-	1	
(2)	911 521 386 02	foam part seat cushion	/R 77-	1	
(3) A	911 521 037 60	cover for cushion leather please state the colour	/L -76	1	
(3) A	911 521 038 60	cover for cushion leather please state the colour	/R -76	1	
(3) A	911 521 037 13	cover for cushion leather please state the colour	/L 77-	1	
(3) A	911 521 038 13	cover for cushion leather please state the colour	/R 77-	1	
(3) A	930 521 037 61	cover for cushion leather cloth please state the colour	/L -76	1	
(3) A	930 521 038 61	cover for cushion leather cloth please state the colour	/R -76	1	
(3) A	930 521 037 10	cover for cushion cloth cloth leather please state the colour	/L 77-	1	

Model	Year	MG	SG	Illustration	Restrictions	Update	10:32	21.08.2006	PORSCHE	PET	PORSCHE
911t	77	8	08	808-05		203					

Pos	Part Number	Name	Remarks	Qty	Model	Pos	Part Number	Name	Remarks	Qty	Model
(3)	A 930 521 038 10	cover for cushion cloth cloth leather please state the colour	/R 77-	1		-	911 521 437 00	slide 350 X 300		2	
(3)	A 911 521 037 14	cover for cushion leather cloth please state the colour	/L 77-	1		10	999 911 200 40	edge protection profile 210 MM		2	
(3)	A 911 521 038 14	cover for cushion leather cloth please state the colour	/R 77-	1		11	911 521 361 00	wire pull		2	
						12	911 521 369 00	terminal		2	
						13	911 521 343 00	guide bush		2	
						14	311 881 287 A	spring		2	
								- - - E N D - - -			
5	911 521 027 58	backrest frame	/L 76-	1							
(5)	911 521 028 58	backrest frame	/R 76-	1							
(6)	A 911 521 072 60	backrest cover leather please state the colour	-76	2							
(6)	A 911 521 072 23	backrest cover leather please state the colour	77-	2							
(6)	A 930 521 072 61	backrest cover leather cloth please state the colour	-76	2							
(6)	A 911 521 072 24	backrest cover leather cloth please state the colour	77-	1							
(6)	A 930 521 072 20	backrest cover cloth cloth leather please state the colour	77-	2							
7	911 521 393 00	foam part backrest	/L -76	1							
(7)	A 911 521 393 00	foam part backrest	/R -76	1							
7	911 521 393 02	foam part backrest	/L/R 77-	2							
8	911 521 575 00	filler piece backrest frame		2							
9	911 521 435 00	filler piece head rest		2							

Model	Year	MG	SG	Illustration	Restrictions	Update	10:32	21.08.2006	PORSCHE	PET	PORSCHE
911t	77	8	08	808-10		203					

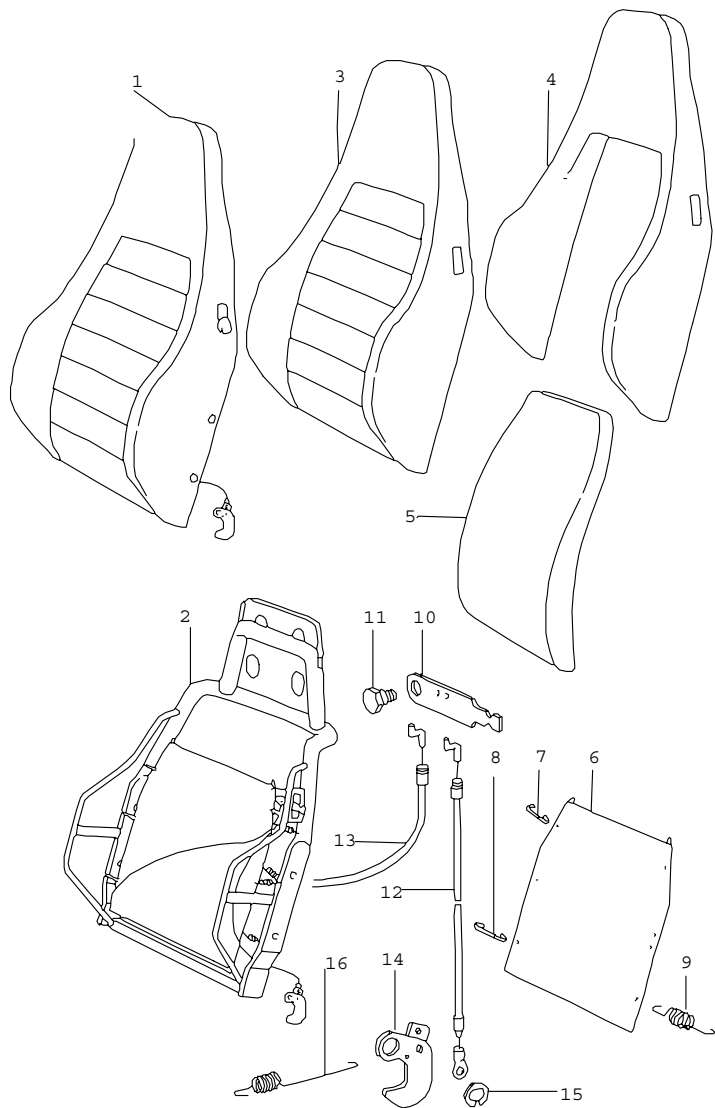
Pos	Part Number	Name	Remarks	Qty	Model
		sports seat complete			
(1)	A 911 521 007 57	sports seat leather without contact switch please state the colour	/L	1	
(1)	A 911 521 008 57	sports seat leather without contact switch please state the colour	/R	1	
2	911 521 045 03	connecting rod		2	
3	911 521 147 01	cap		2	
4	911 521 731 00	inner part	/L	1	
(4)	911 521 732 00	inner part	/R	1	
5	911 521 041 03	reclining seat fitting with lever left seat	/L	1	
(5)	911 521 042 03	reclining seat fitting with lever right seat	/R	1	
(5)	911 521 044 03	reclining seat fitting without lever left seat	/R	1	
(5)	911 521 043 03	reclining seat fitting without lever right seat	/L	1	
6	911 521 695 00	hexagon-head bolt		4	
7	911 521 130 01	washer		4	
8	A 911 521 715 00	rais. counters. h. tap. s.		8	
8	900 270 033 02	rais. counters. h. tap. s. M 8 X 30		8	
9	311 881 607 A	rose actuating lever		2	
10	311 881 247	clamp		2	
11	A 113 881 633 D	control button		2	



Model	Year	MG	SG	Illustration	Restrictions	Update	10:32	21.08.2006	PORSCHE	PET	PORSCHE
911t	77	8	08	808-10		203					

Pos	Part Number	Name	Remarks	Qty	Model	Pos	Part Number	Name	Remarks	Qty	Model
11	113 881 633 E	control button		2							
	01C	satin black									
12	A 911 521 501 00	seat rail with locking device	/L	1							
12	A 928 521 489 02	seat rail with locking device	/L	1							
(12)	A 911 521 502 00	seat rail with locking device	/R	1							
(12)	A 928 521 490 02	seat rail with locking device	/R	1							
13	A 944 521 491 00	seat rail without locking device see tpi GR. 8 NR. 34		2							
13	944 521 491 00	seat rail without locking device see tpi GR. 8 NR. 34		2							
14	900 186 018 02	pan-head screw M 6 X 20		8							
15	N 012 006 4	lock ring B 6		16							
16	900 075 057 02	hexagon-head bolt M 6 X 16		8							
17	911 521 535 00	return spring	/L	1							
(17)	911 521 536 00	return spring	/R	1							
18	900 012 123 00	pin A 2,5 X 12		2							
		- - - E N D - - -									

Model	Year	MG	SG	Illustration	Restrictions	Update	10:32	21.08.2006	PORSCHE	PET	PORSCHE
911t	77	8	08	808-15		203					



Pos	Part Number	Name	Remarks	Qty	Model
		sports seat backrest single parts			
(1)	A 911 521 603 00	backrest complete cloth leatherette please state the colour	/L	1	
(1)	A 911 521 604 00	backrest complete cloth leatherette please state the colour	/R	1	
1	A 911 521 603 01	backrest complete leatherette please state the colour	/L	1	
1	A 911 521 604 01	backrest complete leatherette please state the colour	/R	1	
(1)	A 911 521 603 02	backrest complete leather please state the colour	/L	1	
(1)	A 911 521 603 02	backrest complete leather please state the colour	/R	1	
2	911 521 613 00	backrest frame	/L	1	
(2)	911 521 614 00	backrest frame	/R	1	
(3)	A 911 521 072 01	backrest cover cloth leatherette please state the colour		2	
3	A 911 521 072 02	backrest cover leatherette please state the colour		2	
(3)	A 911 521 072 03	backrest cover leather please state the colour		2	
4	911 521 751 00	foam part backrest frame		2	
5	A 911 521 104 01	foam part backrest cushion		2	

Model	Year	MG	SG	Illustration	Restrictions	Update	10:32	21.08.2006	PORSCHE	PET	PORSCHE
911t	77	8	08	808-15		203					

Pos	Part Number	Name	Remarks	Qty	Model	Pos	Part Number	Name	Remarks	Qty	Model
5	911 521 104 02	foam part backrest cushion		2							
6	911 521 651 00	belt		2							
7	911 521 693 00	belt hook upper		2							
8	911 521 713 00	belt hook lower		4							
9	911 521 689 00	spring		8							
10	911 521 721 00	locking lever		2							
11	911 521 723 00	shouldered bolt		2							
12	911 521 615 00	bowden cable short		2							
13	911 521 616 00	bowden cable long		2							
14	911 521 563 00	locking hook	/L	2							
(14)	911 521 564 00	locking hook	/R	2							
15	N 012 439 2	lock washer 8		4							
16	911 521 733 00	tension spring	/L	1							
(16)	911 521 734 00	tension spring	/R	1							
		- - - E N D - - -									

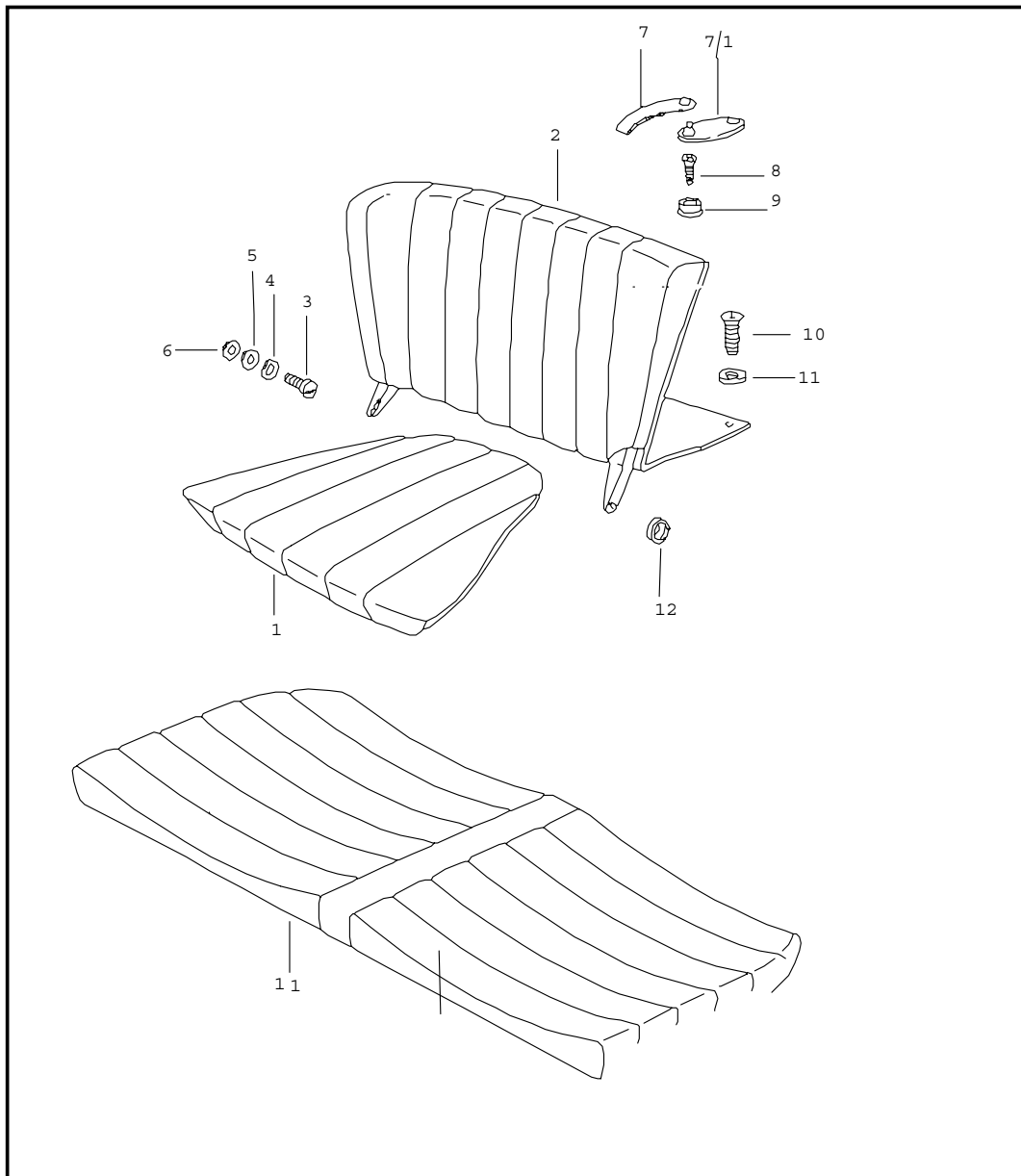
Model	Year	MG	SG	Illustration	Restrictions	Update	10:33	21.08.2006	PORSCHE	PET	PORSCHE
911t	77	8	08	808-20		203					

		Pos	Part Number	Name	Remarks	Qty	Model
		(1)	A 911 521 605 00	sports seat seat cushion single parts seat cushion complete without contact switch cloth leatherette please state the colour		2	
		1	A 911 521 605 01	seat cushion complete without contact switch leatherette please state the colour		2	
		(1)	A 911 521 605 02	seat cushion complete without contact switch leather please state the colour		2	
		2	911 521 621 00	seat frame with springs		2	
		(3)	911 521 697 00	foam part seat cushion		2	
		4	911 521 683 00	foam part cushion	/L	2	
		(4)	911 521 684 00	foam part cushion	/R	2	
		(5)	A 911 521 197 02	cover for cushion cloth please state the colour		2	
		5	A 911 521 197 03	cover for cushion leatherette please state the colour		2	
		(5)	A 911 521 197 04	cover for cushion leather please state the colour		2	
		(6)	A 911 521 073 01	seat side part cover cloth please state the colour	/L	2	
		(6)	A 911 521 074 01	seat side part cover cloth please state the colour	/R	2	

Model	Year	MG	SG	Illustration	Restrictions	Update	10:33	21.08.2006	PORSCHE	PET	PORSCHE
911t	77	8	08	808-20		203					

Pos	Part Number	Name	Remarks	Qty	Model	Pos	Part Number	Name	Remarks	Qty	Model
6	A 911 521 073 02	seat side part cover leatherette please state the colour	/L	2							
(6)	A 911 521 074 02	seat side part cover leatherette please state the colour	/R	2							
(6)	A 911 521 073 03	seat side part cover leather please state the colour	/L	2							
(6)	A 911 521 074 03	seat side part cover leather please state the colour	/R	2							
7	911 521 685 00	belt		8							
8	911 521 691 00	belt hook		16							
9	901 521 191 00	rubber support	/L	2							
(9)	901 521 192 00	rubber support	/R	2							
		- - - E N D - - -									

Model	Year	MG	SG	Illustration	Restrictions	Update	10:33	21.08.2006	PORSCHE	PET	PORSCHE
911t	77	8	08	808-30		203					

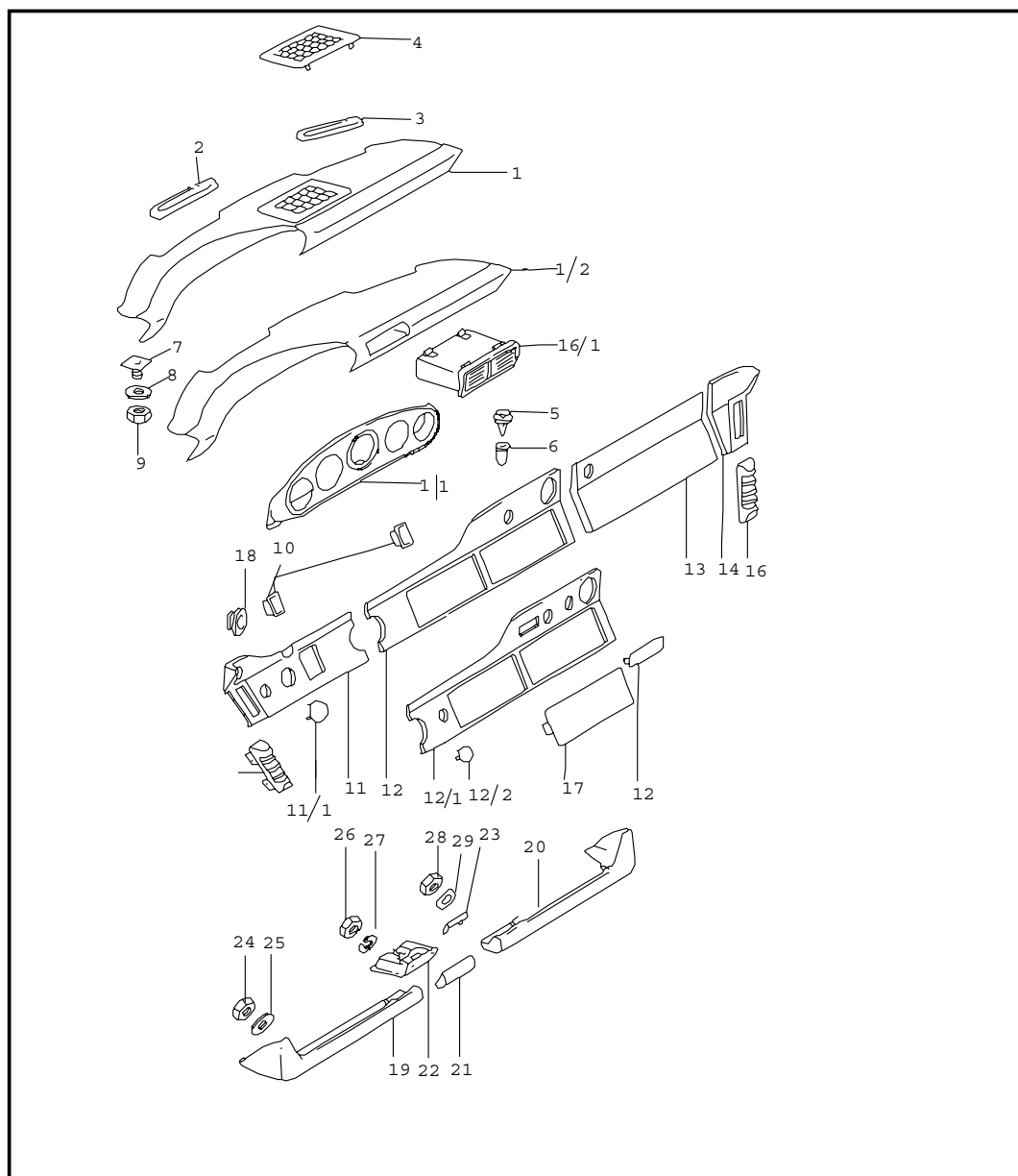


Pos	Part Number	Name	Remarks	Qty	Model
		back seat			
(1)	930 522 051 70	back seat cushion leather please state the colour	/L -76	1	
(1)	930 522 052 70	back seat cushion leather please state the colour	/R -76	1	
(1) A	911 522 051 74	back seat cushion leather please state the colour	/L 77-	1	
(1)	930 522 051 74	back seat cushion leather please state the colour	/L	1	
(1) A	911 522 052 74	back seat cushion leather please state the colour	/R 77-	1	
(1)	930 522 052 74	back seat cushion leather please state the colour	/R	1	
(1)	930 522 051 00	back seat cushion cloth leather please state the colour	/L -76	1	
(1)	930 522 052 00	back seat cushion cloth leather please state the colour	/R -76	1	
(1)	930 522 051 01	back seat cushion cloth please state the colour	/L 77-	1	
(1)	930 522 052 01	back seat cushion cloth please state the colour	/R 77-	1	
(1)	911 522 051 02	back seat cushion leatherette please state the colour	/L -76	1	
(1)	911 522 052 02	back seat cushion leatherette please state the colour	/R -76	1	

Model	Year	MG	SG	Illustration	Restrictions	Update	10:33	21.08.2006	PORSCHE	PET	PORSCHE
911t	77	8	08	808-30		203					

Pos	Part Number	Name	Remarks	Qty	Model	Pos	Part Number	Name	Remarks	Qty	Model
(2)	930 522 005 04	back seat backrest carpet velour pile tartan cloth leather stereo rear loudspeaker please state the colour	/L 77-	1		(2)	930 522 005 06	back seat backrest with TURBO logo carpet velour pile cloth leather please state the colour	/L 77-	1	
(2)	930 522 006 04	back seat backrest carpet velour pile tartan cloth leather stereo rear loudspeaker please state the colour	/R 77-	1		(2)	911 522 006 79	back seat backrest carpet velour pile leather stereo rear loudspeaker please state the colour	/R 77-	1	
(2)	911 522 005 77	back seat backrest carpet velour pile leather please state the colour	/L -76	1		3	900 236 001 07	oval-head screw M 8 X 10		2	
(2)	911 522 006 77	back seat backrest carpet velour pile leather please state the colour	/R -76	1		4	N 012 230 1	spring washer B 10		2	
(2)	930 522 005 70	back seat backrest with TURBO logo carpet velour pile leather please state the colour	/L 76	1		5	901 522 509 20	bearing sleeve		2	
(2)	930 522 005 72	back seat backrest with TURBO logo carpet velour pile leather please state the colour	/L 77-	1		6	999 591 111 50	rubber washer		X	
(2)	930 522 005 02	back seat backrest with TURBO logo carpet velour pile cloth leather please state the colour	/L 76	1		(7)	911 645 039 00	retaining belt stereo rear loudspeaker		2	
						7/1	911 645 037 00	retaining belt extension stereo rear loudspeaker		1	
						-	999 591 802 17	cap for push button		2	
						8	900 143 004 00	oval-head sheetmetal screw B 3,5 X 19		2	
						9	999 591 805 12	push button		2	
						10	900 145 041 00	tapping screw B 3,5 X 16		2	
						11	999 591 102 17	washer A 3,5		4	
						12	901 522 365 20	cap		2	
								- - - E N D - - -			

Model	Year	MG	SG	Illustration	Restrictions	Update	10:33	21.08.2006	PORSCHE	PET	PORSCHE
911t	77	8	09	809-00		203					

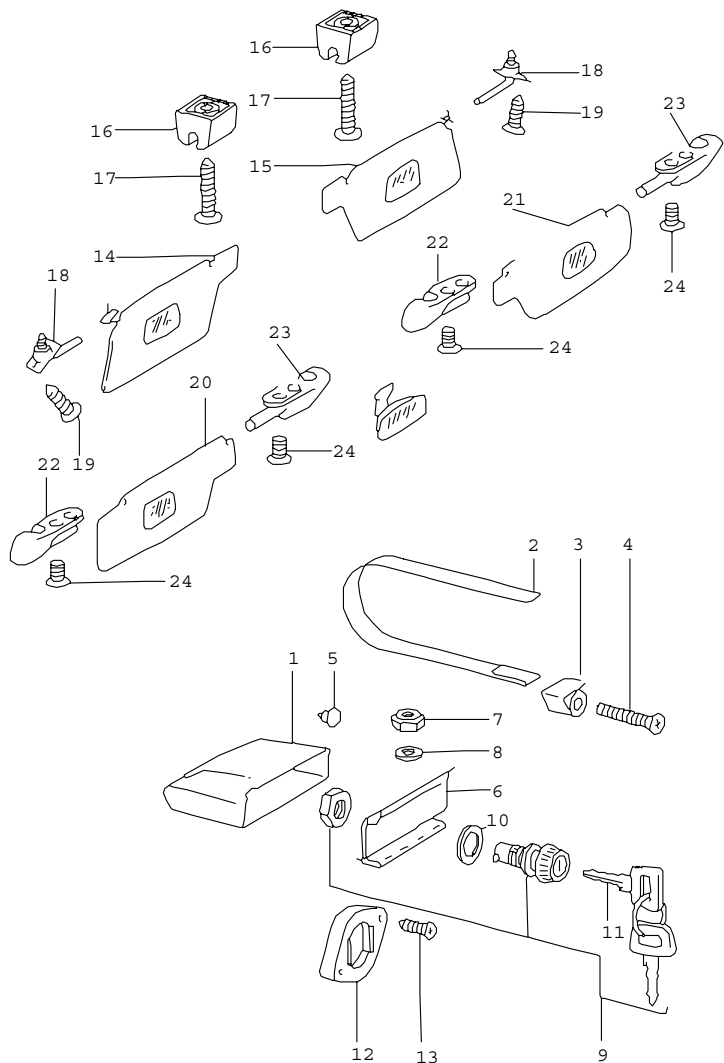


Pos	Part Number	Name	Remarks	Qty	Model
		dashboard			
1/2	911 552 055 70	dashboard trim with centre nozzle leather indicate colour	/LL 77-	1	
1/1	911 552 549 00	cover	76-	1	
2	911 552 409 00	cover heating nozzle	/L	1	
3	911 552 410 00	cover heating nozzle	/R	1	
5	999 591 310 40	fixing clip		7	
6	999 591 311 40	bush		7	
7	999 591 344 02	latch		2	
8	N 011 524 7	washer 6,5		7	
9	999 090 003 02	lock nut M 6		7	
10	911 552 469 00	trim		2	
(11)	911 552 041 10	cover comprising: (11,12,13,14)	/LL 76	1	
(11)	911 552 041 10	cover comprising: (11,12,13,14)	/LL 77-	1	
15	911 552 071 00	side vent	/L	1	
16	911 552 072 00	side vent	/R	1	
16/1	911 571 067 02	centre nozzle	77-	1	
16/1	911 571 067 03	centre nozzle air conditioner	77-	1	
17	911 552 463 00	trim radio		1	
18	911 552 217 00	rose lid-release cable fuel tank cap		1	
(19)	901 552 035 70	knee protection strip leather indicate colour	/L	1	

Model	Year	MG	SG	Illustration	Restrictions	Update	10:33	21.08.2006	PORSCHE	PET	PORSCHE
911t	77	8	09	809-00		203					

Pos	Part Number	Name	Remarks	Qty	Model	Pos	Part Number	Name	Remarks	Qty	Model
(20)	901 552 036 70	knee protection strip leather indicate colour	/R	1							
(21)	911 552 050 70	ashtray handle leather indicate colour		1							
22	901 552 061 25	ashtray		1							
23	901 552 607 00	fireproof plate		1							
24	900 076 027 02	hexagon nut M 5		4							
25	900 151 027 02	washer 5,3		4							
26	900 076 027 02	hexagon nut M 5		2							
27	900 025 003 02	washer 5,3		2							
28	900 070 001 02	cap nut M 4		2							
29	900 028 018 01	spring washer B 4		2							
		- - - E N D - - -									

Model	Year	MG	SG	Illustration	Restrictions	Update	10:33	21.08.2006	PORSCHE	PET	PORSCHE
911t	77	8	09	809-05		203					



Pos	Part Number	Name	Remarks	Qty	Model
1	911 552 501 00	glove compartment sun visor		1	
2	901 552 531 20	restraining strap		1	
3	914 552 061 00	clamp		1	
4	900 146 010 02	oval-head screw AM 5 X 30		1	
5	999 703 064 50	rubber buffer		1	
6	911 552 010 02	glove box cover		1	
8	900 025 003 02	washer 5,3		4	
9	911 552 902 07	glove compartment lock black with main key w/o stipulated lock number		1	
9	911 552 902 08	glove compartment lock black with main key state lock number		2	
10	911 552 103 01	washer		1	
11	914 531 903 10	blank key main key		2	
(11)	911 531 945 00	blank key with light without battery	76-	2	
(11)	911 531 946 00	main key with light without battery state lock number	76-	2	
11	914 531 637 10	main key state lock number		2	
12	911 552 513 02	door lock striker		1	
13	900 143 065 07	tapping screw 2,9 X 9,5		2	

Model	Year	MG	SG	Illustration	Restrictions	Update	10:33	21.08.2006	PORSCHE	PET	PORSCHE
911t	77	8	09	809-05		203					

Pos	Part Number	Name	Remarks	Qty	Model	Pos	Part Number	Name	Remarks	Qty	Model
(14)	911 731 031 17	sun visor without mirror beige	/LL/L	1		(21) A	911 731 032 46	sun visor without mirror black	/R -76	1	
(14)	911 731 031 19	sun visor without mirror black	/LL/L	1		22	911 731 323 40	support	/L -76	2	
15	911 731 032 17	sun visor with mirror beige	/LL/R	1		23	911 731 324 40	support	/R -76	2	
(15)	911 731 032 19	sun visor with mirror black	/LL/R	1		24	900 145 013 07	rais. counters. h. tap. s. B 4,2 X 13		4	
(15)	911 731 032 12	sun visor without mirror	/R 77-	1				- - - E N D - - -			
(15) A	911 731 032 09	sun visor without mirror black	/R -76	1							
(15)	911 731 032 14	sun visor without mirror black	/R -76	1							
16	911 731 331 00	support	-76	2							
(16)	911 731 331 00	support	77-	2							
17	900 143 111 07	oval-head sheetmetal screw B 3,9 X 13		2							
18	911 731 320 00	bearing	-76	2							
(18)	964 731 319 00	bearing	77-	2							
19	900 145 013 07	rais. counters. h. tap. s. B 4,2 X 13	-76	4							
19	N 014 093 3	tapping screw B 4,2 X 13	77-	4							
(20) A	911 731 031 45	sun visor without mirror black	/LL/L-76	1							
(20)	911 731 031 52	sun visor without mirror black	/LL/L	1							
21	911 731 032 50	sun visor without mirror black	/LL/R-76	1							

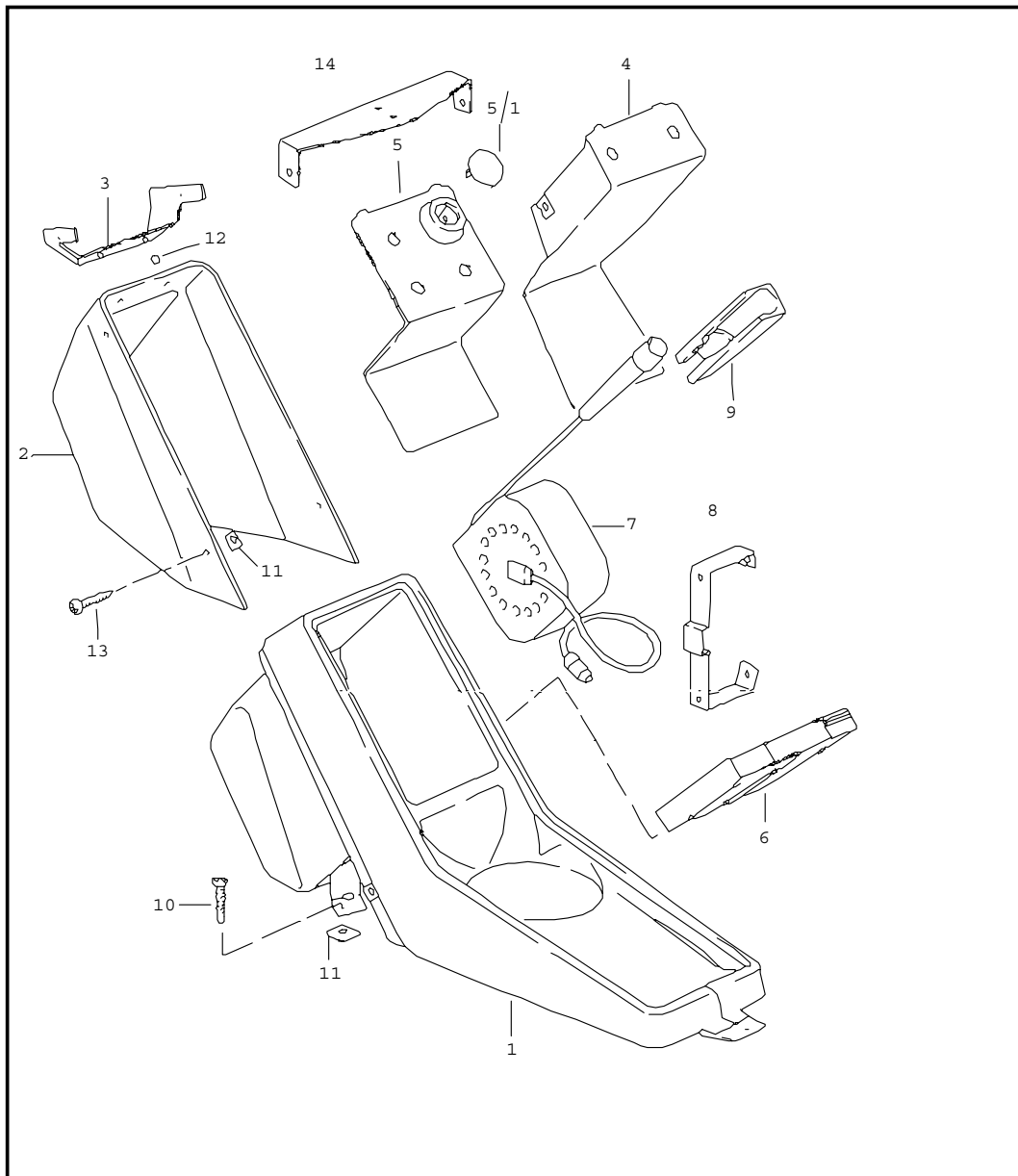
Model	Year	MG	SG	Illustration	Restrictions	Update	10:33	21.08.2006	PORSCHE	PET	PORSCHE
911t	77	8	09	809-10		203					

Pos	Part Number	Name	Remarks	Qty	Model
		interior mirror door mirror			
1	914 731 014 11	interior mirror		1	
2	901 731 133 20	adhesive plate		1	
3	901 731 113 00	plate		1	
4	900 114 020 01	shake-proof washer A 2,8		1	
5	900 014 094 10	pan-head screw AM 2,6 X 15		1	
10	911 731 023 00	installation set door mirror	/LL/L76-	1	
(10)	911 731 026 00	installation set door mirror	/LL/R76-	1	
10/1	N 012 225 2	spring washer A 5	76-	3	
10/2	N 014 133 8	oval-head screw AM 5 X 12	76-	3	
11	911 799 731 09	frame with transmission	76-	1	
12	911 731 035 00	mirror glass plan	76-	1	
-	999 703 128 40	grommet mirror glass	76-	3	
13	911 731 247 00	desk pad	/L 76-	1	
(13)	911 731 248 00	desk pad	/R 76-	1	
14	911 531 197 00	reinforcement	/L 76-	1	
(14)	911 531 198 00	reinforcement	/R 76-	1	
15	-	mounting piece	76-	1	
16	999 218 021 02	pan-head screw M 5 X 35	76-	1	
17	999 703 137 40	cap	76-	1	
18	911 731 257 00	guide tube	76-	1	
19	911 731 345 00	adjusting washer	76-	1	
20	911 731 029 00	spring	76-	1	

Model	Year	MG	SG	Illustration	Restrictions	Update	10:33	21.08.2006	PORSCHE	PET	PORSCHE
911t	77	8	09	809-10		203					

Pos	Part Number	Name	Remarks	Qty	Model	Pos	Part Number	Name	Remarks	Qty	Model
21	911 613 115 00	switch	76-	1							
-	911 731 343 03	gasket	76-	1							
22	911 731 251 00	round nut	76-	1							
23	911 613 633 01	protection cap	76-	1							
-	477 957 861	rubber sleeve	76-	1							
-	111 971 911 A	rubber sleeve	76-	1							
-	914 612 325 00	plug socket 4-pole	76-	1							
-	911 612 881 00	plug socket 6-pole	76-	1							
-	911 612 879 00	connector 9-pole	76-	2							
		electric equipment for door mirror		1							
-	911 612 163 00	wiring harness door	76-	1							
-	911 731 317 00	seal connector	76-	1							
-	911 612 162 01	wiring harness	/LL 76-	1							
		electric equipment for door mirror		2							
-	911 612 165 00	wiring harness door driver's side	76-	1							
-	911 612 166 00	wiring harness door passenger's side	76-	1							
-	911 612 164 01	wiring harness	/LL 76-	1							
-	911 613 113 00	changeover switch passenger's side	76-	1							
		- - - E N D - - -									

Model	Year	MG	SG	Illustration	Restrictions	Update	10:34	21.08.2006	PORSCHE	PET	PORSCHE
911t	77	8	09	809-15		203					

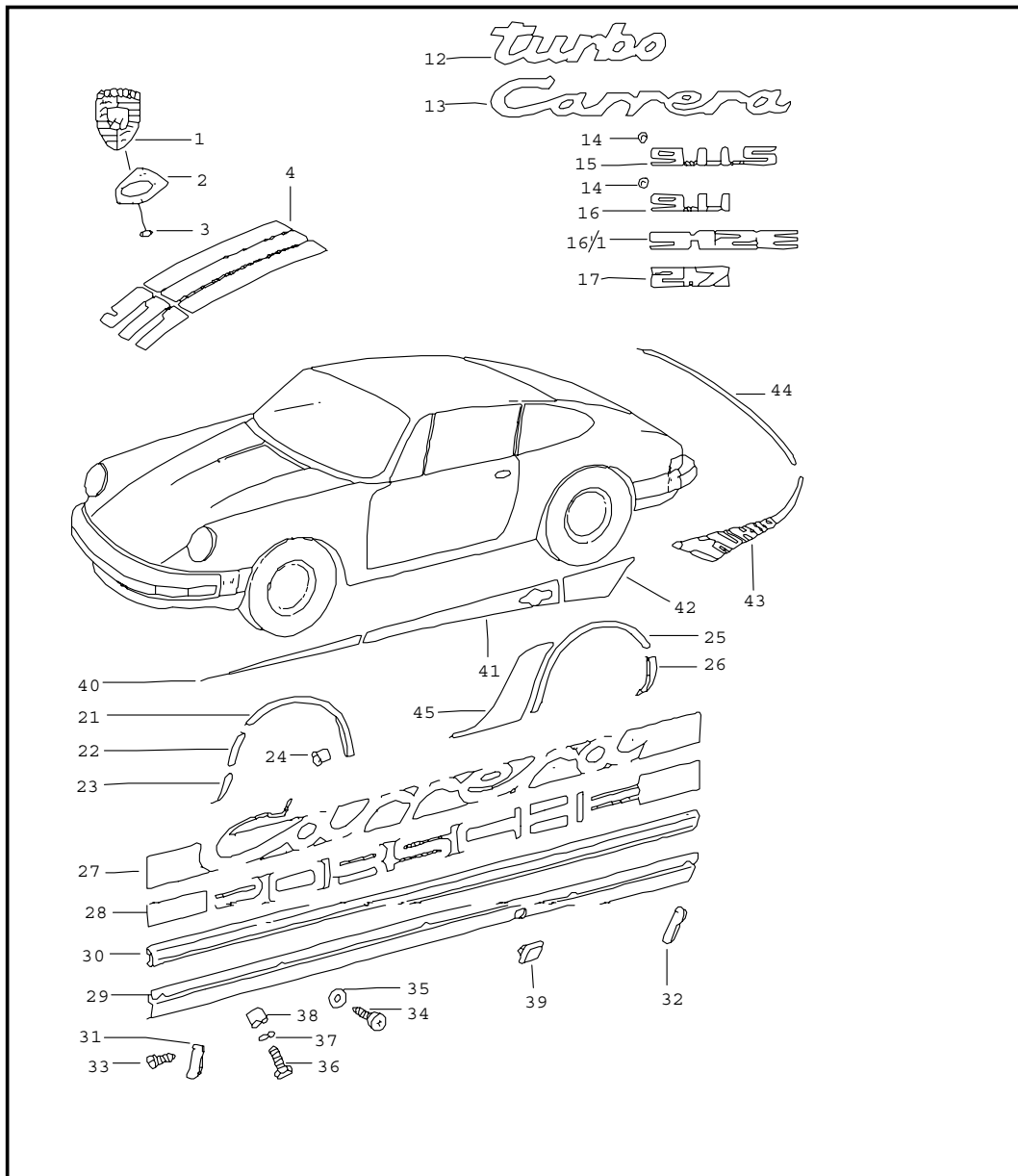


Pos	Part Number	Name	Remarks	Qty	Model
1	911 552 036 00	centre console centre console leatherette indicate colour		1	
(1)	930 552 036 00	centre console leather indicate colour		1	
2	911 552 231 00	cap		1	
3	911 552 255 00	support		1	
4	911 552 253 00	support for switch air conditioner		1	
5	911 552 053 00	cassette carrier microphone		1	
(5)	911 552 053 01	cassette carrier microphone and air conditioner		1	
5/1	911 552 471 01	trim microphone		1	
6	911 645 226 00	cassette box		X	
7	911 645 221 00	microphone		1	
8	911 552 261 00	bracket		1	
9	911 645 167 00	support		1	
10	900 143 047 07	tapping screw 4,2 X 19		3	
11	999 507 240 00	speed nut 4,2		7	
12	999 190 006 03	tubular rivet 3,5 X 9		2	
13	900 143 121 07	tapping screw 4,2 X 16		4	
14	911 645 137 00	support		1	
-	911 645 198 00	rubber plate 200 X 180 X 4		1	
-	999 513 003 40	tie-wrap 360 MM		2	

Model	Year	MG	SG	Illustration	Restrictions	Update					
911t	77	8	09	809-15		203	10:34	21.08.2006	PORSCHE	PET	PORSCHE

Pos	Part Number	Name	Remarks	Qty	Model	Pos	Part Number	Name	Remarks	Qty	Model
		- - - E N D - - -									

Model	Year	MG	SG	Illustration	Restrictions	Update	10:34	21.08.2006	PORSCHE	PET	PORSCHE
911t	77	8	10	810-00		203					

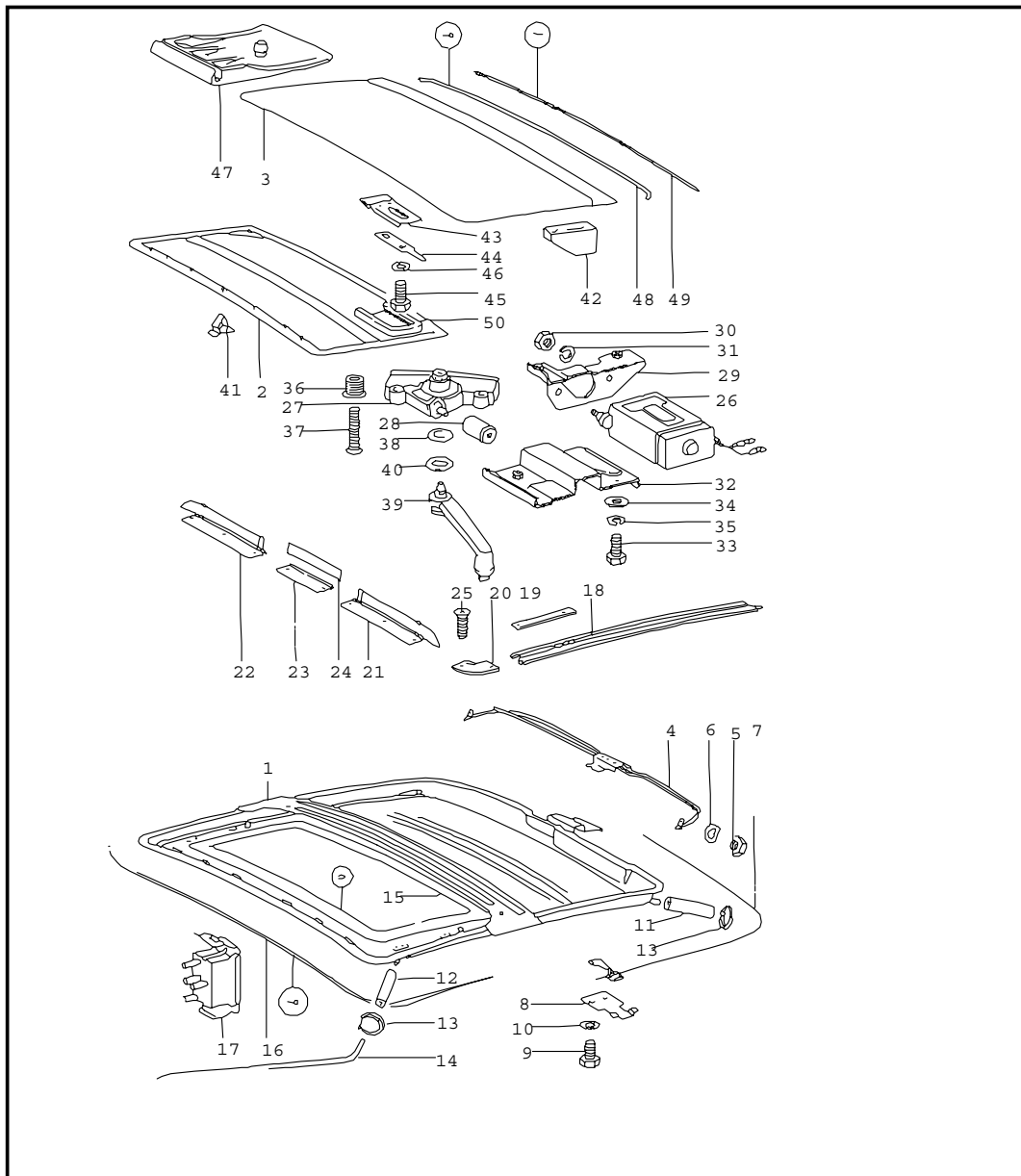


Pos	Part Number	Name	Remarks	Qty	Model
		decorative fittings			
1	901 559 210 20	lid emblem		1	
2	901 559 215 20	desk pad		1	
3	999 591 423 03	tapping nut		2	
4	911 559 171 00	adhesive film black	-76	1	
(4)	911 559 171 01	adhesive film orange	-76	1	
(4)	911 559 171 02	adhesive film gold-coloured	-76	1	
(4)	911 559 171 03	adhesive film green	-76	1	
(12)	930 559 317 01	logo black spoiler lid		1	TURBO
14	999 591 423 03	tapping nut		X	
(29)	930 559 047 00	trim	/L	1	
(29)	930 559 048 00	trim	/R	1	
30	930 559 103 01	rubber moulding		2	
31	PCG 559 941 00	end piece	/V/L	1	
(31)	911 559 141 02	end piece	/H/L	1	
32	PCG 559 941 00	end piece	/V/R	1	
(32)	911 559 142 02	end piece	/H/R	1	
33	900 143 049 07	tapping screw BZ 3,5 X 9,5 black		8	
33	N 013 957 5	tapping screw BZ 3,5 X 9,5 chrome		8	
34	N 013 961 2	tapping screw B 3,9 X 13		10	
35	900 025 002 02	washer 4,3		10	
36	900 187 032 02	tapping screw B 6,3 X 25		6	

Model	Year	MG	SG	Illustration	Restrictions	Update	10:34	21.08.2006	PORSCHE	PET	PORSCHE
911t	77	8	10	810-00		203					

Pos	Part Number	Name	Remarks	Qty	Model	Pos	Part Number	Name	Remarks	Qty	Model
37	900 151 007 02	washer 7,4		6		(42)	930 559 305 01	adhesive film white hatched	/L	1	
38	911 559 145 00	spacer sleeve		3		(42)	930 559 306 01	adhesive film white hatched	/R	1	
39	911 559 149 01	plug		2		(43)	930 559 307 01	adhesive film white hatched	/L	1	
40	930 559 301 00	adhesive film black hatched	/V/L	1		(43)	930 559 308 01	adhesive film white hatched	/R	1	
(40)	930 559 302 00	adhesive film black hatched	/V/R	1		(44)	930 559 309 01	adhesive film white hatched	/H	1	
41	930 559 303 00	adhesive film black hatched	/L	1		45	930 559 321 00	stone guard film	/L	1	
(41)	930 559 304 00	adhesive film black hatched	/R	1		(45)	930 559 322 00	stone guard film	/R	1	
42	930 559 305 00	adhesive film black hatched	/L	1				- - - E N D - - -			
(42)	930 559 306 00	adhesive film black hatched	/R	1							
43	930 559 307 00	adhesive film black hatched	/L	1							
(43)	930 559 308 00	adhesive film black hatched	/R	1							
44	930 559 309 00	adhesive film black hatched	/H	1							
(40)	930 559 301 01	adhesive film white hatched	/V/L	1							
(40)	930 559 302 01	adhesive film white hatched	/V/R	1							
(41)	930 559 303 01	adhesive film white hatched	/L	1							
(41)	930 559 304 01	adhesive film white hatched	/R	1							

Model	Year	MG	SG	Illustration	Restrictions	Update	10:34	21.08.2006	PORSCHE	PET	PORSCHE
911t	77	8	11	811-00		203					



Pos	Part Number	Name	Remarks	Qty	Model
-	911 564 003 02	sunroof electric			
-	911 564 911 00	sunroof complete	76-	1	
1	911 564 911 00	roof frame		1	
2	901 564 020 07	roof frame		1	
-	901 564 291 07	cover	please state the colour	1	
3	930 564 051 00	cover		1	
4	911 564 031 02	pipeline		1	
5	900 076 027 02	hexagon nut M 5		2	
6	900 115 001 01	serrated lock washer M 5,3		2	
7	901 564 043 05	guide	/H/L	1	
(7)	901 564 044 05	guide	/H/R	1	
8	901 564 451 05	reinforcement		2	
9	900 075 106 02	hexagon-head bolt M 4 X 6		4	
10	N 012 116 1	serrated lock washer A 4,3		4	
11	911 564 825 00	water drain hose	/H	2	
12	911 564 821 01	water drain hose	/V -76	2	
(12)	911 564 821 01	water drain hose	/V 77-	2	
13	999 512 105 02	hose clamp		8	
14	911 503 581 00	water drain tube	/V/L	1	
(14)	911 503 582 00	water drain tube	/V/R	1	
15	911 564 465 00	beading		1	
16	901 564 901 05	velvet strip please state the colour		1	
17	-	tip switch see group 9/03/05		X	
18	901 564 041 05	guide rail	/L	1	

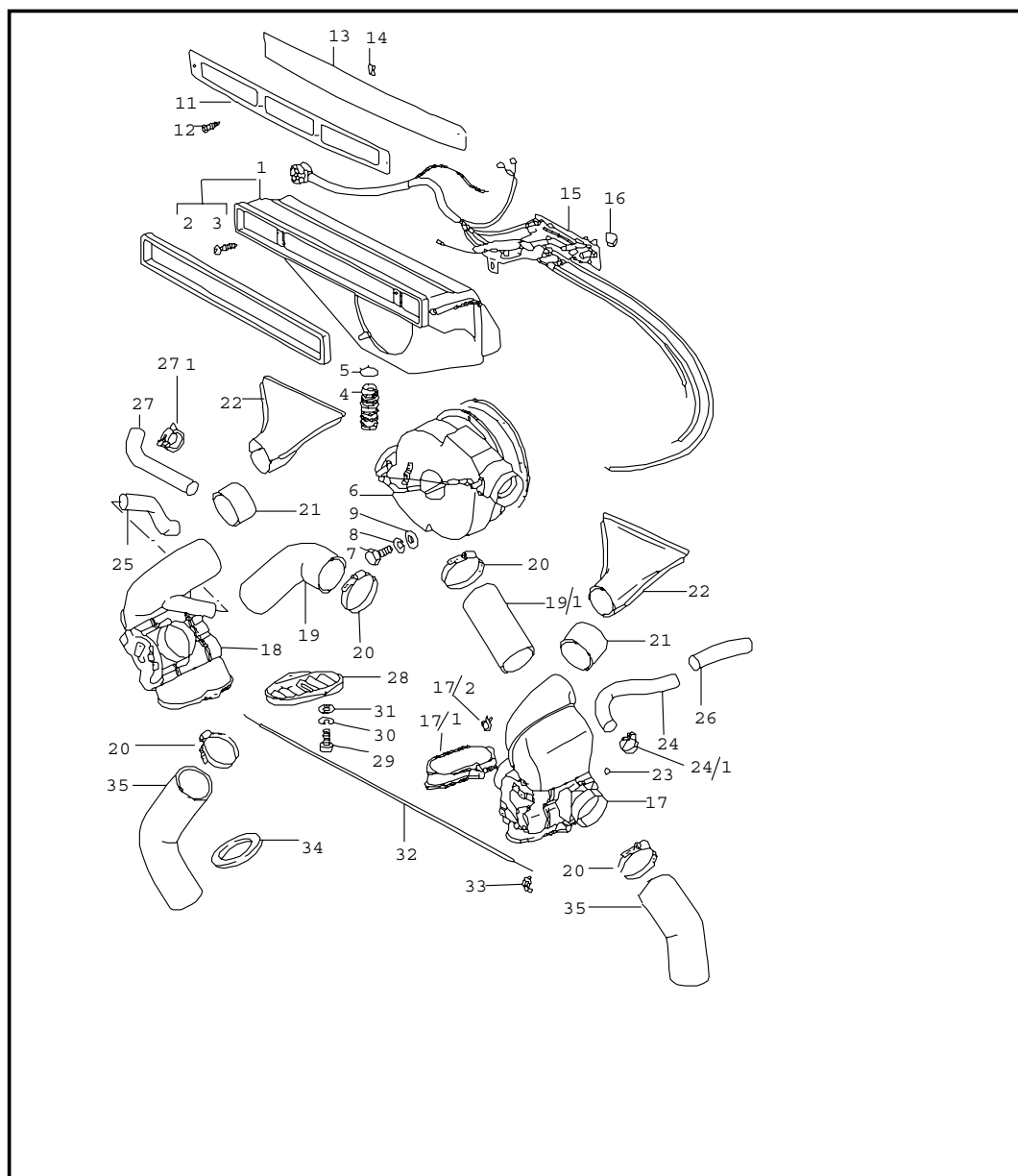
Model	Year	MG	SG	Illustration	Restrictions	Update	10:34	21.08.2006	PORSCHE	PET	PORSCHE
911t	77	8	11	811-00		203					

Pos	Part Number	Name	Remarks	Qty	Model	Pos	Part Number	Name	Remarks	Qty	Model
(18)	901 564 042 05	guide rail	/R	1		41	901 564 299 05	clamp		1	
19	901 564 407 05	intermediate piece		2		42	901 564 431 05	guide shoe		2	
20	901 564 405 05	end piece	/L	1		43	911 564 045 00	guide	/V	2	
(20)	901 564 406 05	end piece	/R	1		44	911 564 451 00	tab washer		2	
21	901 564 073 05	air deflector	/L	1		45	911 564 459 00	screw AM 5 X 12		4	
22	901 564 074 05	air deflector	/R	1		46	900 115 001 01	serrated lock washer A 5,3		4	
23	901 564 409 05	centre piece		1		47	901 564 433 05	protective edging		4	
24	901 564 703 05	air deflector centre		1		48	901 564 903 05	velvet strip		1	
25	900 145 009 02	tapping screw B 3,9 X 9,5		16		49	901 564 905 05	sealing rubber		1	
(25)	N 014 090 2	screw B 3,9 X 13	-75	4		-	911 503 507 01	plastic foam strip		1	
26	911 624 016 01	motor		1		50	911 564 401 00	cap/protective strip		1	
(27)	911 564 601 01	transmission	76-	1		-	911 564 409 00	sealing strip	/H	1	
28	911 624 103 00	clutch		1		-	911 564 409 01	sealing strip lateral		2	
29	911 624 007 01	engine support		1		-	911 564 899 02	parts kit for sunroof		1	
30	900 076 027 02	hexagon nut M 5		2							
31	N 012 005 3	lock ring B 5		2							
(32)	964 564 035 00	support	76-	1							
33	N 010 225 4	hexagon-head bolt M 5 X 8		2							
34	900 025 003 02	washer 5,3		2							
35	N 012 005 3	lock ring B 5		2							
36	901 564 661 05	screw		2							
37	900 269 012 02	countersunk-head screw M 4 X 25		2							
38	901 564 663 05	cap		1							
39	901 564 085 05	crank		1							
40	911 564 643 00	washer		1							

Model	Year	MG	SG	Illustration	Restrictions	Update	10:34	21.08.2006
911t	77	8	12	812-00		203		

Pos	Part Number	Name	Remarks	Qty	Model
-	911 803 917 01	seat belt seat belt three-point seat belt with automatic and seat belt buckle for	/L 76-	1	
-	911 803 918 01	seat belt three-point seat belt with automatic and seat belt buckle for		1	
-	928 803 126 09	seat belt three-point seat belt with automatic without seat belt buckle (AUS)	/L/R	2	
-	911 803 183 00	seat-belt buckle	/R	1	
-	928 803 183 06	seat-belt buckle	/L	1	
-	911 803 907 00	set of fastening parts		2	
-	911 555 102 00	bellows for seat belt buckle		2	
-	911 555 615 01	rose side section		2	
-	N 014 093 3	tapping screw BZ 4,2 X 13		4	
-	999 507 020 02	speed nut 4,2		4	
-	911 555 625 00	support for seatbelt for belt		2	
- - - E N D - - -					

Model	Year	MG	SG	Illustration	Restrictions	Update	10:34	21.08.2006	PORSCHE	PET	PORSCHE
911t	77	8	13	813-00		203					

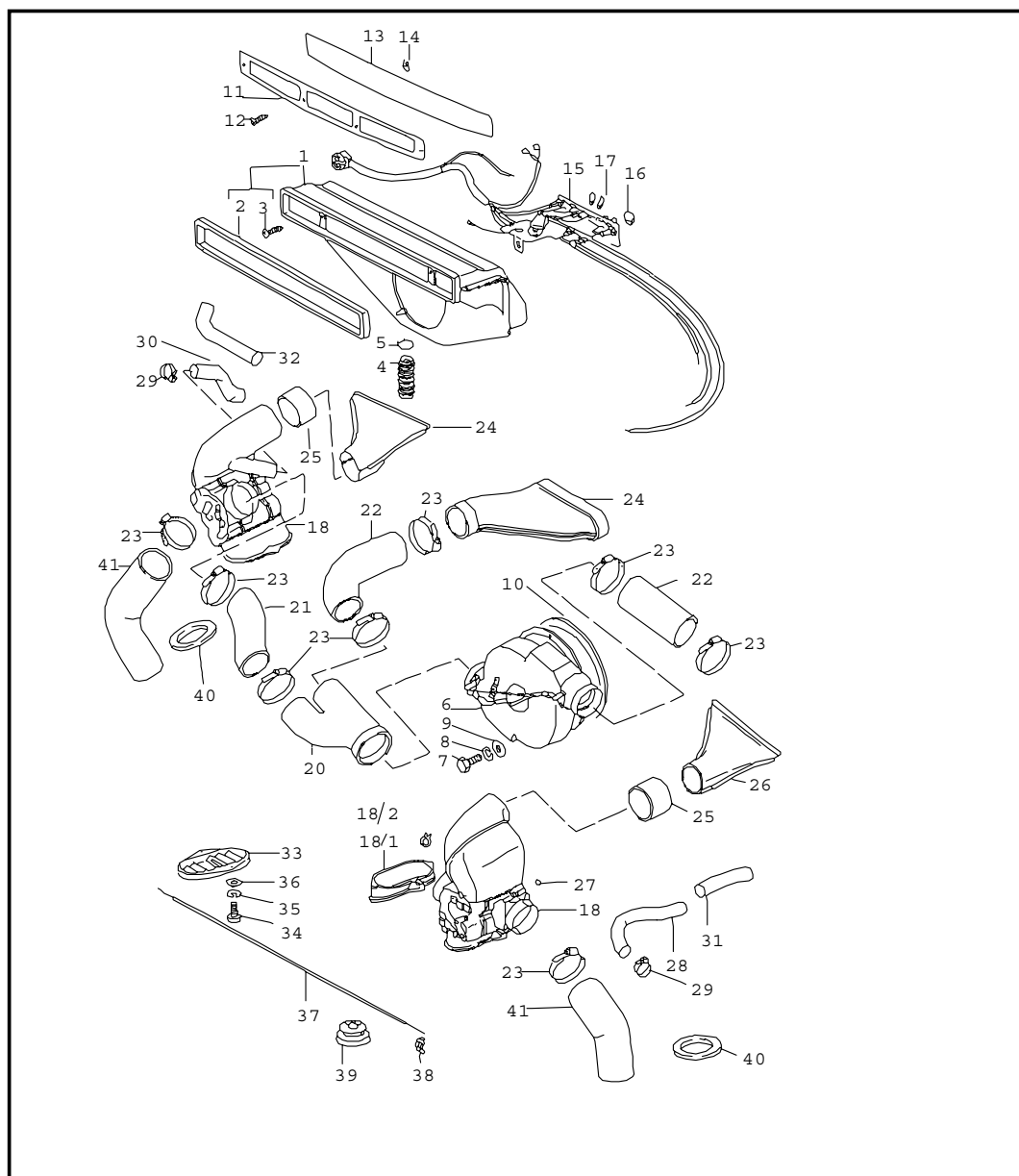


Pos	Part Number	Name	Remarks	Qty	Model
		ventilation heating system 1	-76		
1	911 571 031 00	fresh air inlet box	/LL	1	
2	901 571 325 32	sealing frame		1	
3	N 014 153 1	oval-head screw M 5 X 40		2	
4	911 571 224 00	water drain hose	/LL	1	
6	911 571 018 00	blower with engine		1	
-	911 571 905 00	housing front		1	
-	911 571 907 00	housing rear		1	
-	911 571 320 32	blower motor with fan		1	
7	N 010 205 6	hexagon-head bolt M 5 X 10		2	
8	900 027 003 01	lock ring B 5		2	
9	900 025 003 02	washer 5,3		2	
10	901 571 922 00	sealing ring		1	
11	901 559 401 20	grille frame		1	
12	900 145 036 00	tapping screw B 3,5 X 13		4	
13	901 559 410 20	grille	/V	1	
14	901 559 491 20	spacer		2	
(15)	911 613 111 03	control switch	/LL -76	1	
-	900 631 129 90	bulb 12 V, 2 W		1	
-	999 632 006 00	bulb holder		1	
-	914 571 903 10	sealing ring		1	
-	900 378 030 09	hexagon-head bolt M 6 X 20		1	

Model	Year	MG	SG	Illustration	Restrictions	Update	10:34	21.08.2006	PORSCHE	PET	PORSCHE
911t	77	8	13	813-00		203					

Pos	Part Number	Name	Remarks	Qty	Model	Pos	Part Number	Name	Remarks	Qty	Model
-	N 011 524 7	washer 6,4		1		31	900 025 003 02	washer 5,3		4	
-	914 571 151 10	rubber sleeve for wire pull		1		32	911 572 114 00	bowden control		2	
16	901 571 917 00	knob black		2		33	901 571 919 00	terminal		7	
16	901 571 918 00	knob red		1		34	901 572 913 01	sealing ring		2	
17	911 571 049 01	control box	/L -76	1		35	901 571 347 32	heater hose		2	
17/1	911 571 051 00	connecting flange		2		36	911 551 067 00	luggage boot trim	-76	1	
17/2	999 512 162 02	clamping spring		4		37	900 075 260 02	hexagon-head bolt M 6 X 16		4	
18	911 571 050 01	control box	/R -76	1		38	N 012 007 2	lock ring A 6		4	
19/1	914 572 123 10	air hose	/L -76	1		39	900 151 003 02	washer 6,4		4	
19	914 572 123 10	air hose	/R -76	1				- - - E N D - - -			
20	999 512 349 02	hose clamp		8							
21	901 571 345 32	hose piece		2							
22	901 572 045 31	heating nozzle		2							
23	901 571 921 00	retainer		24							
24	911 571 228 00	air hose	/L	1							
24/1	999 512 551 00	hose clamp		1							
25	911 571 226 00	air hose	/R -76	1							
26	911 571 227 00	air hose	/L	1							
(26)	911 572 223 00	air hose	/R	1							
27	911 571 228 00	air hose	/R -76	1							
27/1	999 513 023 40	tie-wrap	-76	1							
28	911 571 347 01	air distributor	/L	1							
(28)	911 571 348 01	air distributor	/R	1							
29	900 067 208 02	pan-head screw M 5 X 15		4							
30	N 012 005 3	lock ring B 5		4							

Model	Year	MG	SG	Illustration	Restrictions	Update	10:35	21.08.2006	PORSCHE	PET	PORSCHE
911t	77	8	13	813-05		203					

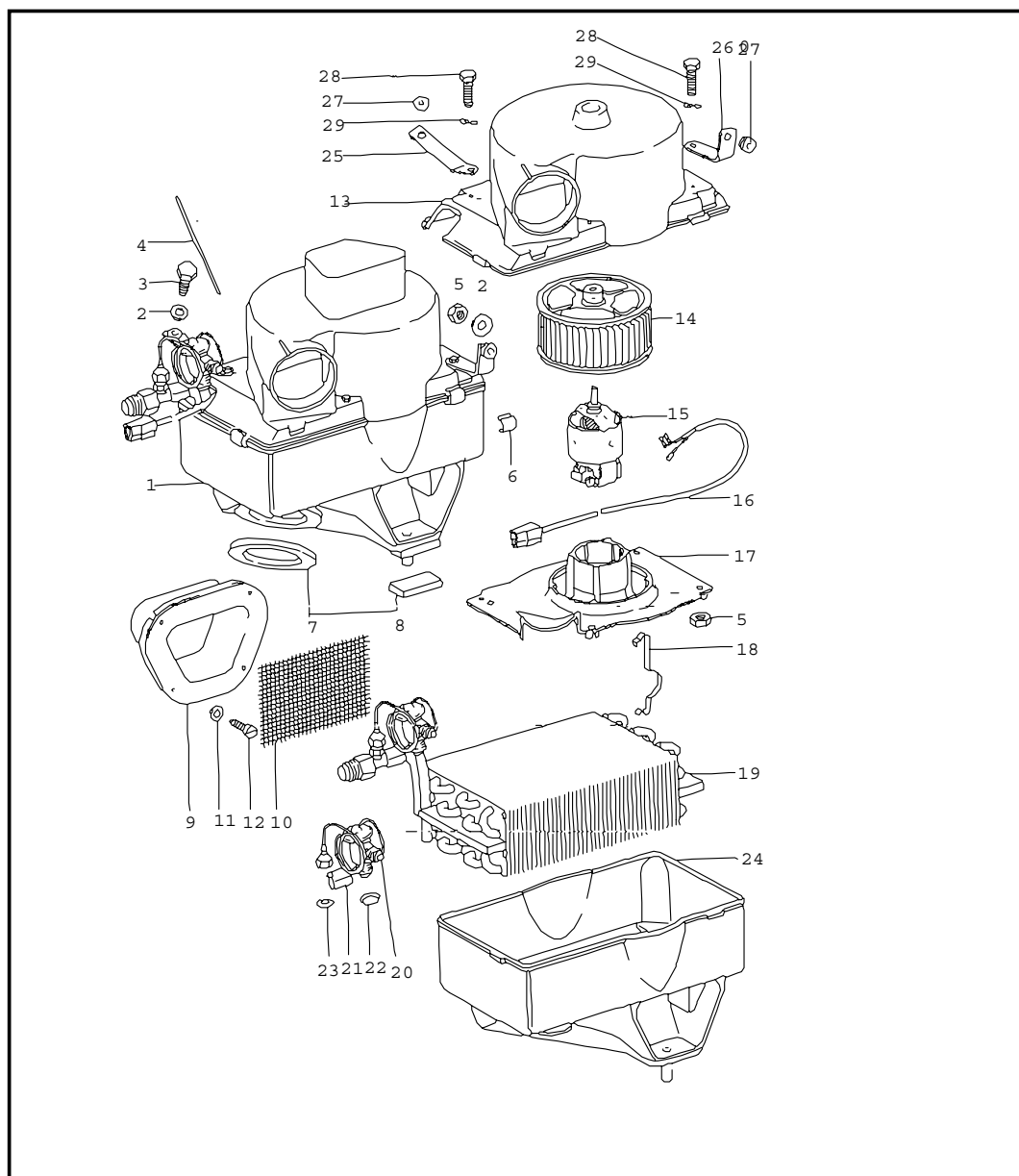


Pos	Part Number	Name	Remarks	Qty	Model
		ventilation heating system 2	77-		
1	911 571 031 00	fresh air inlet box	/LL	1	
2	901 571 325 32	sealing frame		1	
3	N 014 153 1	oval-head screw M 5 X 40		2	
4	911 571 224 00	water drain hose	/LL	1	
6	911 571 018 00	blower with engine		1	
-	911 571 905 00	housing front		1	
-	911 571 907 00	housing rear		1	
-	911 571 320 32	blower motor with fan		1	
7	N 010 205 6	hexagon-head bolt M 5 X 10		2	
8	900 027 003 01	lock ring B 5		2	
9	900 025 003 02	washer 5,3		2	
10	901 571 922 00	sealing ring		1	
11	901 559 401 20	grille frame		1	
12	900 145 036 00	tapping screw B 3,5 X 13		4	
13	901 559 410 20	grille	/V	1	
14	901 559 491 20	spacer		2	
(15)	911 613 111 08	control switch	/LL	1	
-	911 612 172 01	wiring harness		1	
-	900 631 129 90	bulb 12 V, 2 W		1	
-	999 632 006 00	bulb holder		1	
-	914 571 903 10	sealing ring		1	

Model	Year	MG	SG	Illustration	Restrictions	Update	10:35	21.08.2006	PORSCHE	PET	PORSCHE
911t	77	8	13	813-05		203					

Pos	Part Number	Name	Remarks	Qty	Model	Pos	Part Number	Name	Remarks	Qty	Model
-	900 378 030 09	hexagon-head bolt M 6 X 20		1		34	900 067 208 02	pan-head screw M 5 X 15		4	
-	N 011 524 7	washer 6,4		1		35	N 012 005 3	lock ring B 5		4	
-	914 571 151 10	rubber sleeve for wire pull		1		36	900 025 003 02	washer 5,3		4	
16	901 571 917 00	knob black		1		37	911 572 114 00	bowden control		2	
16	901 571 918 00	knob red		1		38	901 571 919 00	terminal		7	
17	911 613 995 00	knob black		2		39	911 612 863 00	grommet		1	
18	911 571 049 01	control box	/L	1		40	901 572 913 01	sealing ring		2	
18/1	911 571 051 00	connecting flange		2		41	901 571 347 32	heater hose		2	
18/2	999 512 162 02	clamping spring		4				- - - E N D - - -			
19	911 571 050 01	control box	/R	1							
20	911 571 039 00	distributing piece	/LL	1							
21	911 571 239 00	air hose		1							
22	473 261 233 A	air hose		2							
23	999 512 349 02	hose clamp		8							
24	911 571 085 00	air duct	/LL	1							
25	901 571 345 32	hose piece		2							
26	901 572 045 31	heating nozzle		2							
27	901 571 921 00	retainer		24							
28	911 571 228 00	air hose	/L	1							
29	999 512 551 00	hose clamp		1							
30	911 571 228 00	air hose	/R	1							
31	911 571 227 00	air hose	/L	1	COUPE						
(31)	911 572 223 00	air hose	/R	1	TARGA						
32	911 571 228 00	air hose	/R	1							
33	911 571 347 01	air distributor	/L	1							
(33)	911 571 348 01	air distributor	/R	1							

Model	Year	MG	SG	Illustration	Restrictions	Update	10:35	21.08.2006	PORSCHE	PET	PORSCHE
911t	77	8	13	813-30		203					

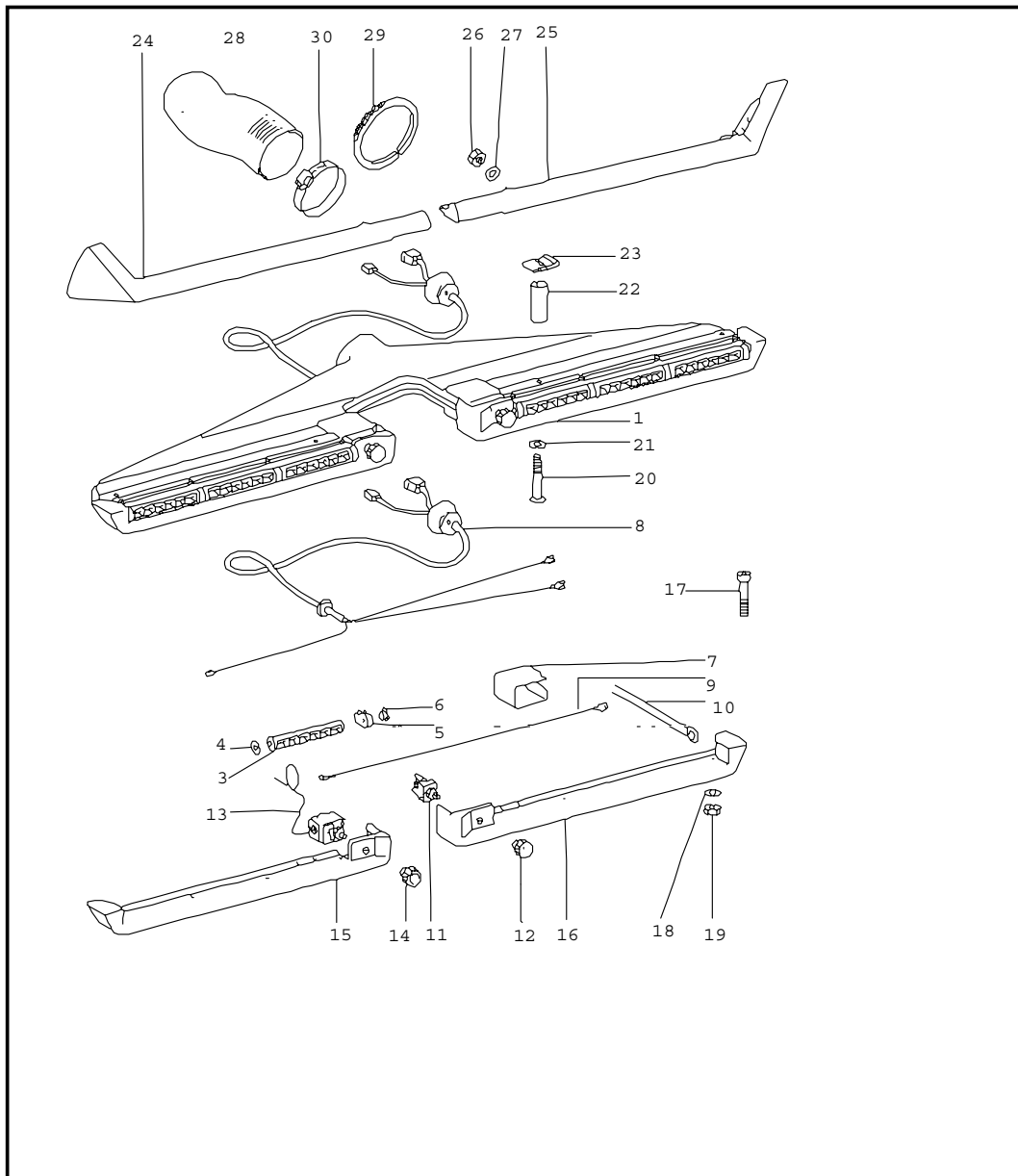


Pos	Part Number	Name	Remarks	Qty	Model
		air conditioner evaporator evaporator housing accessories			
1	901 573 021 00	evaporator with housing	/LL	1	
2	900 151 003 02	washer 6,4		2	
3	900 075 057 02	hexagon-head bolt M 6 X 16		1	
4	901 573 903 00	guide tube for temperature switch		1	
5	900 076 010 02	hexagon nut M 6		5	
6	901 573 904 00	tensioning spring		4	
>>7	> 901 573 901 00	parts kit comprising:		1	
-	-	sealing ring		1	
8	-	rubber pad		2	
9	911 573 073 01	connection piece		1	
10	901 573 129 00	grille		1	
11	900 151 001 02	washer 4,3		4	
12	900 143 004 02	oval-head sheetmetal screw B 3,5 X 19		4	
13	911 573 023 00	housing cover		1	
14	901 573 906 00	fan		1	
15	901 624 901 00	electric motor		1	
16	-	see group 8/13/50 POS. 13		1	
17	911 573 323 00	engine support		1	
18	901 624 903 00	clamp		4	
19	901 573 907 00	evaporator		1	
20	901 573 915 00	expansion valve		1	

Model	Year	MG	SG	Illustration	Restrictions	Update	10:35	21.08.2006	PORSCHE	PET	PORSCHE
911t	77	8	13	813-30		203					

Pos	Part Number	Name	Remarks	Qty	Model	Pos	Part Number	Name	Remarks	Qty	Model
21	901 573 914 00	clip		1							
22	901 573 147 00	gasket 3/4"		1							
23	901 573 916 00	gasket 7/16"		1							
24	901 573 908 00	housing lower part		1							
25	911 572 473 00	angle		1							
26	911 572 471 00	angle		1							
27	901 573 133 00	rubber sleeve		2							
28	900 378 030 09	hexagon-head bolt M 6 X 20		4							
29	N 012 226 5	spring washer B 6		4							
		- - - E N D - - -									

Model	Year	MG	SG	Illustration	Restrictions	Update	10:35	21.08.2006	PORSCHE	PET	PORSCHE
911t	77	8	13	813-35		203					

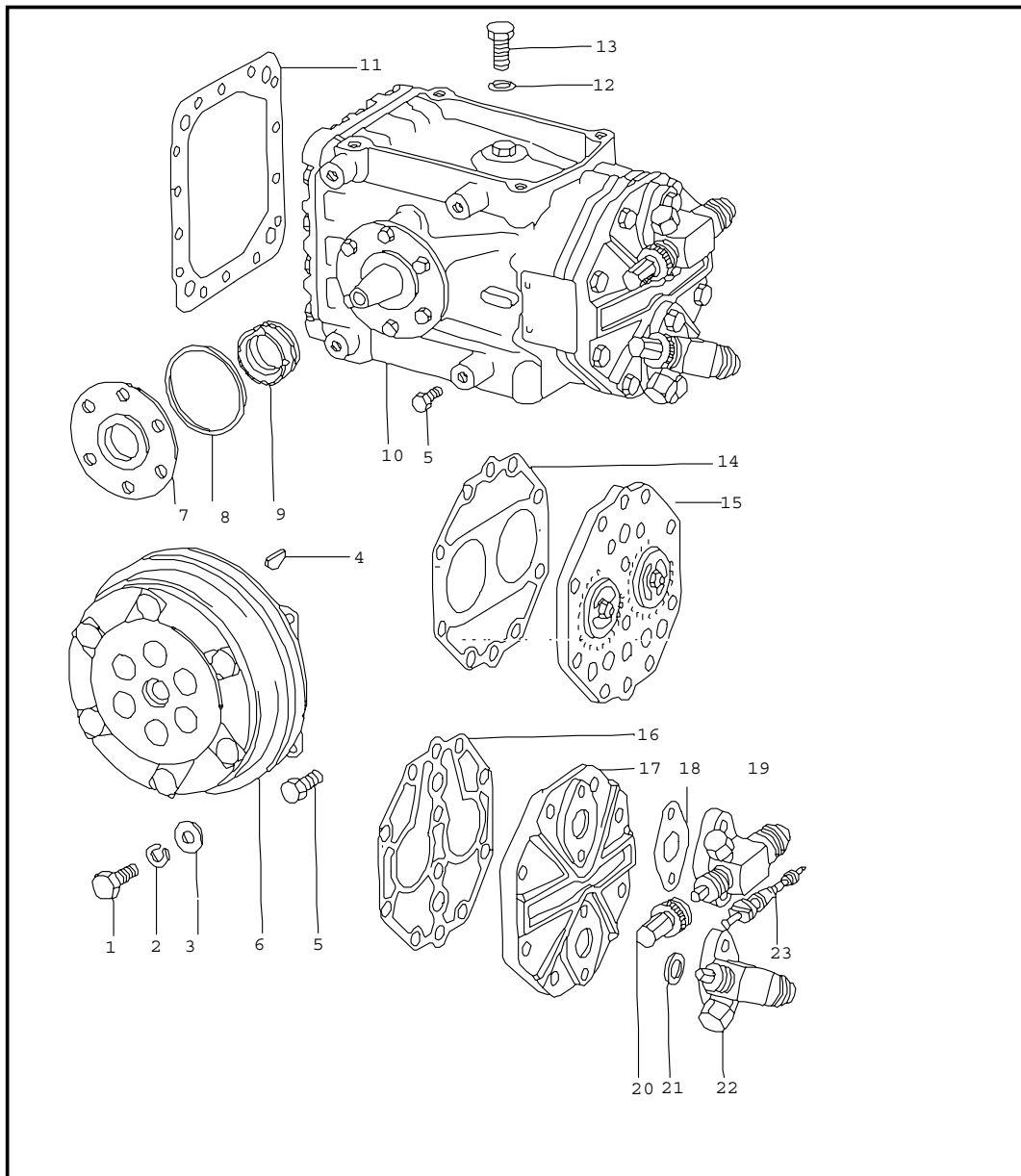


Pos	Part Number	Name	Remarks	Qty	Model
		air conditioner nozzle accessories	-76		
1	901 573 065 00	air vent		1	
3	901 573 067 00	cover		6	
4	901 573 169 00	plastic washer		12	
5	901 573 165 00	bearing		8	
6	914 552 233 10	filler piece		2	
7	901 573 912 00	insert 2 X 55 X 165 ALU		1	
8	-	see group 8/13/50-POS.12		1	
9	-	see group 8/13/50-POS.12		1	
10	901 613 118 00	thermostat		1	
11	901 613 117 00	blower switch		1	
12	901 613 121 00	knob		1	
13	911 613 919 00	temperature switch		1	
14	901 613 122 00	knob		1	
15	901 573 025 00	padding	/L	1	
16	901 573 026 00	padding	/R	1	
17	900 067 104 02	pan-head screw 4 X 35		8	
18	900 025 002 02	washer 4,3		8	
19	999 090 001 02	lock nut M 4		8	
20	900 015 035 02	oval-head screw BM 5 X 55		4	
21	900 151 027 02	washer 5,3		4	
22	A 901 573 167 00	spacer tube		4	
22	911 573 171 00	spacer tube		4	
23	999 507 315 02	captive nut		4	

Model	Year	MG	SG	Illustration	Restrictions	Update	10:35	21.08.2006	PORSCHE	PET	PORSCHE
911t	77	8	13	813-35		203					

Pos	Part Number	Name	Remarks	Qty	Model	Pos	Part Number	Name	Remarks	Qty	Model
24	901 552 035 28	knee protection strip (FARBE ANGEBEN)	/L	1							
25	901 552 036 28	knee protection strip (FARBE ANGEBEN)	/R	1							
26	900 076 027 02	hexagon nut M 5		4							
27	900 151 027 02	washer 5,3		4							
28	901 573 511 00	air hose	/LL	1							
29	901 573 509 01	sealing ring		1							
30	901 573 160 00	hose clamp		1							
		- - - E N D - - -									

Model	Year	MG	SG	Illustration	Restrictions	Update	10:35	21.08.2006	PORSCHE	PET	PORSCHE
911t	77	8	13	813-40		203					

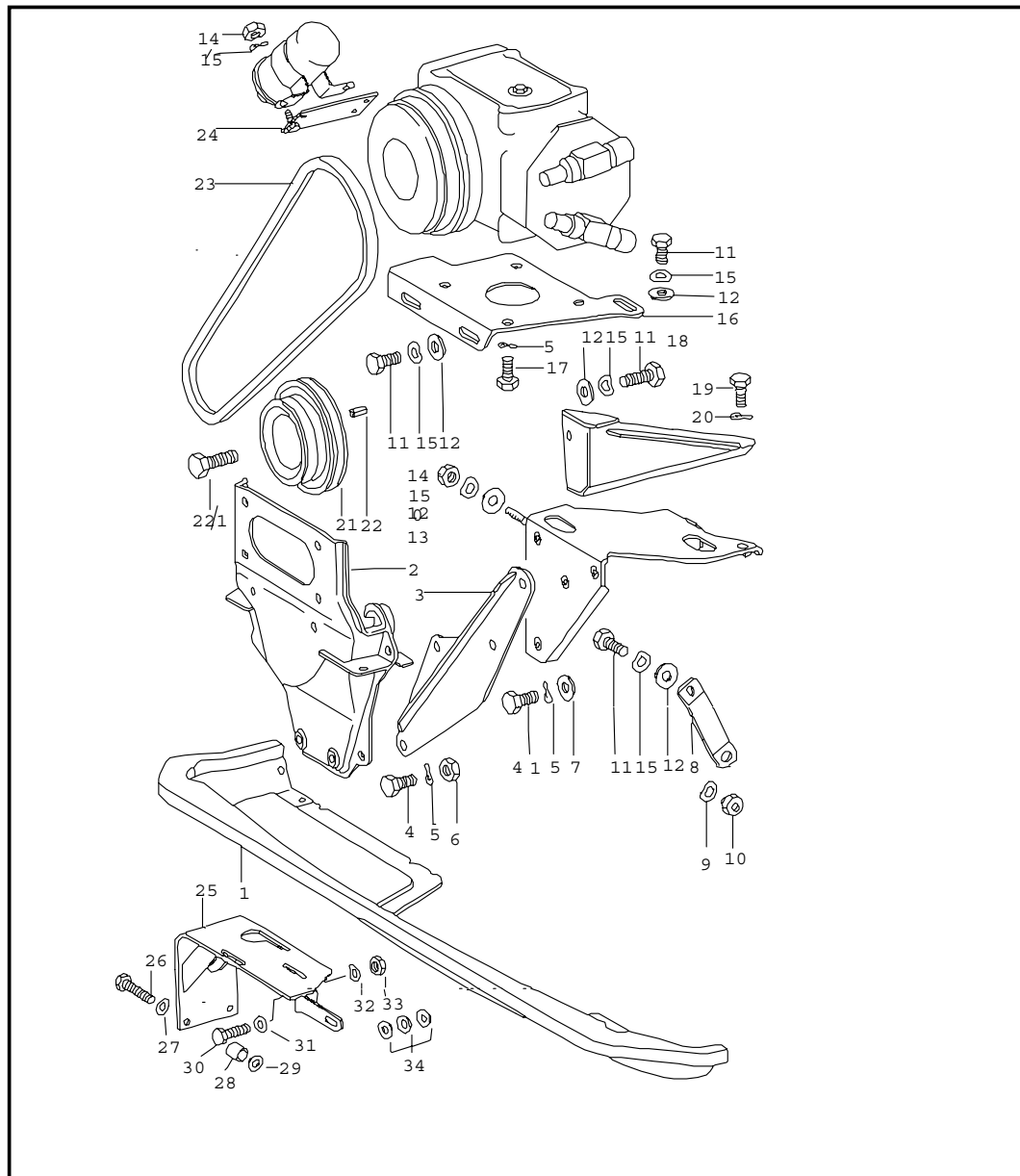


Pos	Part Number	Name	Remarks	Qty	Model
		air conditioner compressor			
>1-5	> 911 126 924 00	set of fastening parts comprising:		1	
1	-	hexagon-head bolt 5/16" - 24 UNF - 1 1/2"		1	
2	-	lock ring B 8		1	
3	-	washer 8 X 22 X 4		1	
4	-	woodruff key 4 X 6,5		1	
5	-	hexagon-head bolt 1/4" - 20 UNC - A X 1/2"		4	
6	911 126 933 01	clutch		1	
>7-9	> 911 126 931 00	parts kit		1	
7	-	flange		1	
8	-	gasket		1	
9	-	shaft seal		1	
10	911 126 901 00	compressor		1	
11	911 126 911 00	gasket		1	
12	911 126 913 00	o-ring		2	
13	911 126 912 00	hexagon-head bolt 3/8" X 15		1	
>14-	> 911 126 917 00	parts kit		1	
>>16	>	- comprising:			
14	-	gasket		1	
15	-	valve plate		1	
16	-	gasket		1	
>>-	> 911 126 918 00	parts kit comprising:		1	
14	-	gasket		1	
16	-	gasket		1	

Model	Year	MG	SG	Illustration	Restrictions	Update	10:35	21.08.2006	PORSCHE	PET	PORSCHE
911t	77	8	13	813-40		203					

Pos	Part Number	Name	Remarks	Qty	Model	Pos	Part Number	Name	Remarks	Qty	Model
17	-	cylinder head cover		1							
>>-	> 911 126 916 00	parts kit comprising:		1							
14	-	gasket		1							
16	-	gasket		1							
>>18	> 911 126 919 00	sealing ring		1							
19	911 126 921 00	flange valve		1							
20	911 126 923 00	cap		2							
21	911 126 919 00	sealing ring		2							
22	911 126 922 00	flange valve	/R	1							
		- - - E N D - - -									

Model	Year	MG	SG	Illustration	Restrictions	Update	10:36	21.08.2006	PORSCHE	PET	PORSCHE
911t	77	8	13	813-45		203					

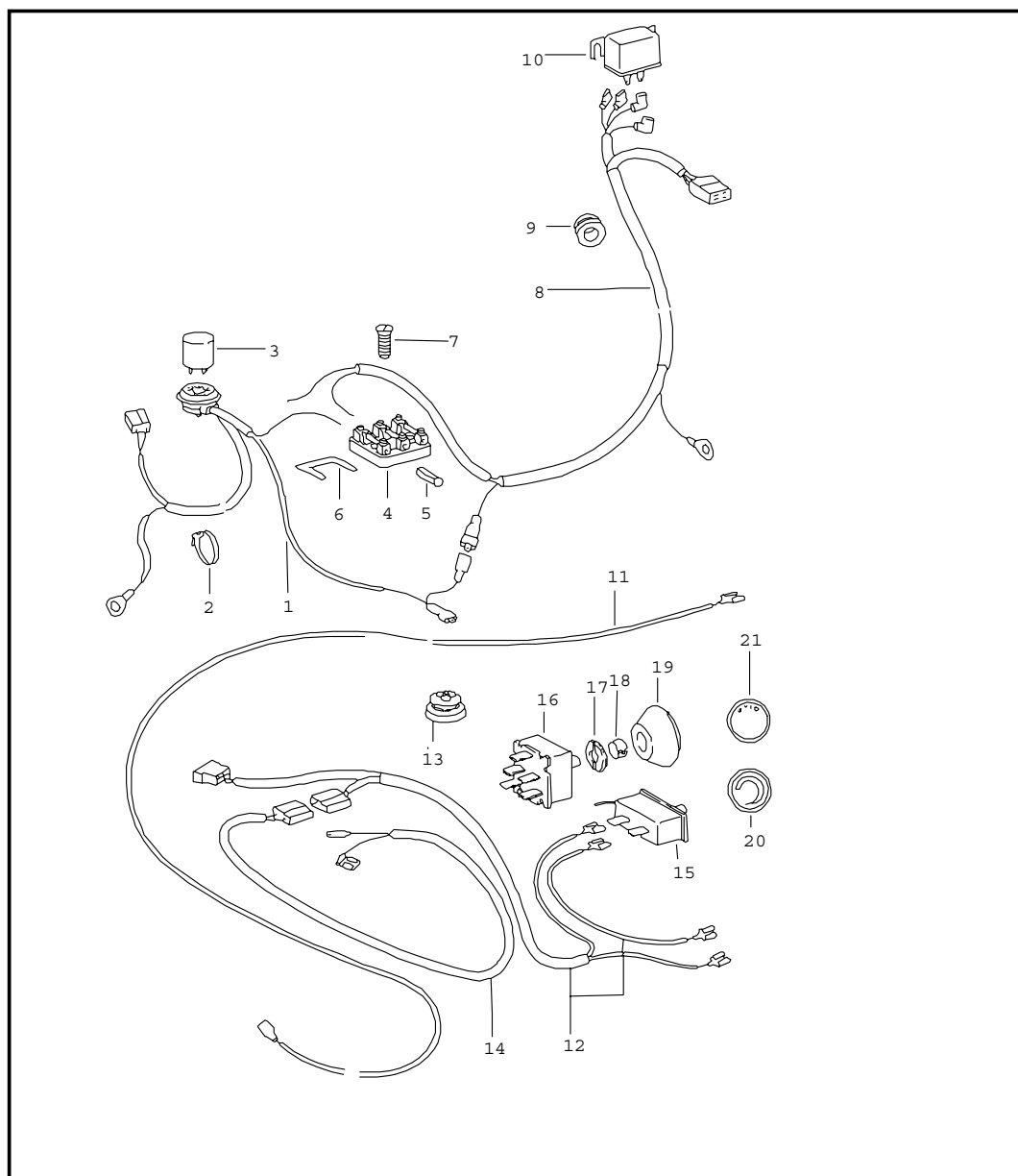


Pos	Part Number	Name	Remarks	Qty	Model
1	-	air conditioner compressor driving mechanism mounting		1	
(2)	911 115 014 03	see group 1/05/10 + 1/15/10 bracket		1	
3	911 126 115 00	strut		1	
4	900 075 040 02	hexagon-head bolt M 10 X 20		2	
4/1	900 156 006 02	hexagon-head bolt M 10 X 18		2	
5	N 012 242 3	spring washer A 10		4	
6	N 011 010 6	hexagon nut M 10		2	
7	900 025 008 02	washer 10,5		4	
8	911 126 124 01	strut		1	
9	900 028 014 01	spring washer B 12		1	
10	964 126 125 20	nut		1	
11	900 075 085 02	hexagon-head bolt M 8 X 20		5	
12	900 025 007 02	washer 8,4		6	
13	911 126 101 01	bracket		1	
14	900 076 025 02	hexagon nut M 8		3	
15	N 012 241 8	spring washer B 8		3	
16	911 126 117 01	compressor plate		1	
17	999 075 021 02	screw 3/8" - 16 UNC - 2 A X 3/4"		4	
18	930 126 116 00	angle		1	
19	900 075 014 02	hexagon-head bolt M 6 X 18		2	

Model	Year	MG	SG	Illustration	Restrictions	Update	10:36	21.08.2006	PORSCHE	PET	PORSCHE
911t	77	8	13	813-45		203					

Pos	Part Number	Name	Remarks	Qty	Model	Pos	Part Number	Name	Remarks	Qty	Model
20	N 012 226 5	spring washer B 6		2							
(21)	930 102 017 02	pulley		1							
22	900 012 060 00	straight pin 5 M 6 X 10		1							
23	900 192 027 50	narrow v-belt		1							
24	901 126 121 01	mounting plate M 8		1							
		- - - E N D - - -									

Model	Year	MG	SG	Illustration	Restrictions	Update	10:36	21.08.2006	PORSCHE	PET	PORSCHE
911t	77	8	13	813-50		203					

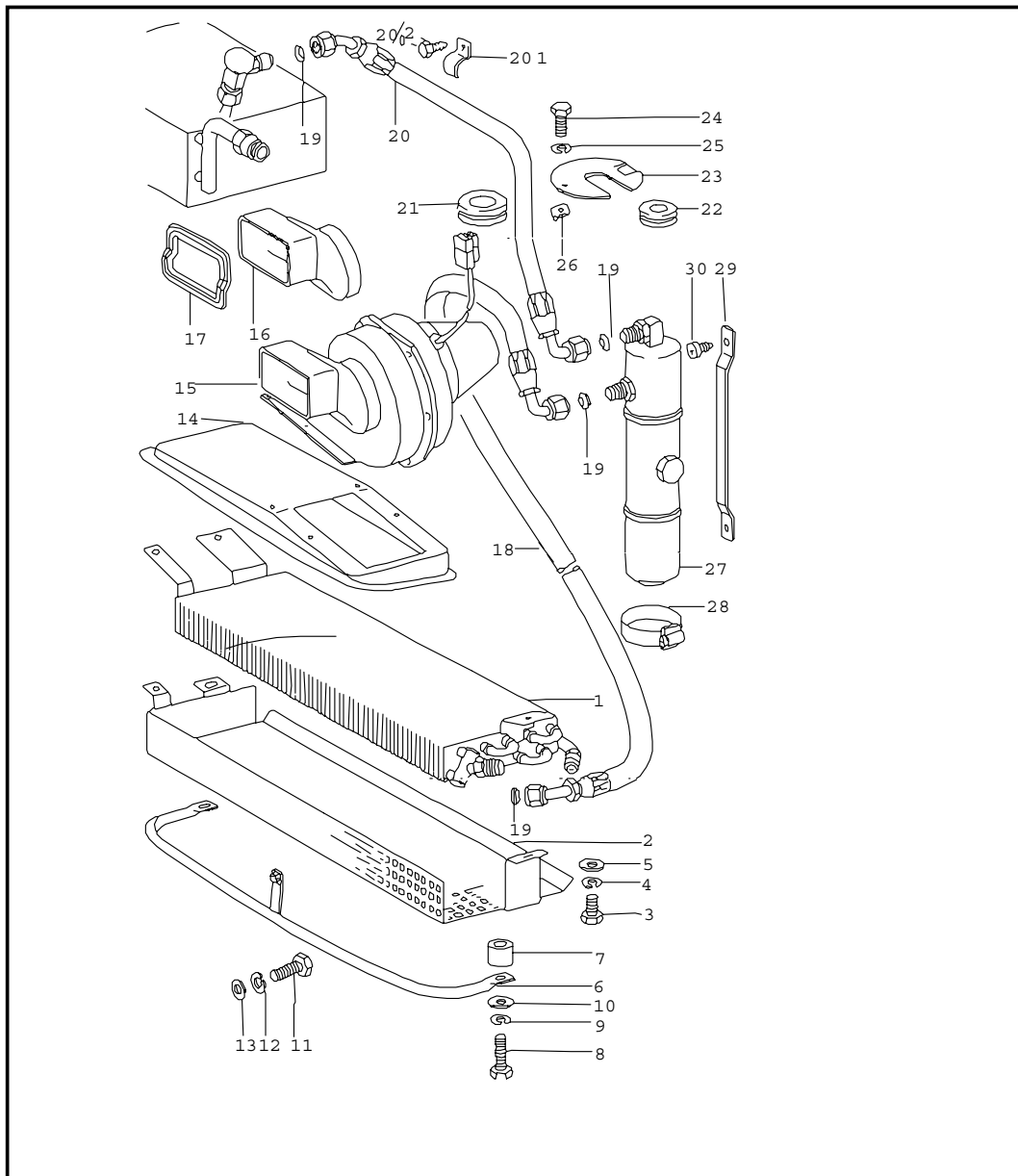


Pos	Part Number	Name	Remarks	Qty	Model
		air conditioner electric equipment			
1	911 612 080 01	wiring harness NR. 80		1	
2	999 513 008 40	tie-wrap		1	
3	911 615 109 01	standard type relay		1	
4	911 612 093 05	fuse box triple		1	
5	N 017 121 5	safety fuse 25 A		1	
6	901 612 835 01	connecting rail		1	
7	900 146 009 02	oval-head screw AM 4 X 12		2	
8	911 612 078 01	wiring harness NR. 78		1	
9	999 702 119 50	rubber sleeve		1	
10	911 615 103 01	relay		1	
11	911 612 079 00	wiring harness NR. 79		1	
12	901 612 086 00	wiring harness NR. 29	-76	1	
(12)	911 612 029 01	wiring harness NR. 29	77-	1	
13	911 612 863 00	grommet		1	
14	901 612 084 00	wiring harness NR. 28		1	
15	911 613 121 01	temperature switch		1	
16	911 613 116 00	blower switch		1	
17	911 613 119 01	rose for POS. 15		1	
17	911 613 120 01	rose for POS. 15		1	
18	999 591 557 01	knob holder		2	
19	911 613 141 00	knob		2	

Model	Year	MG	SG	Illustration	Restrictions	Update	10:36	21.08.2006	PORSCHE	PET	PORSCHE
911t	77	8	13	813-50		203					

Pos	Part Number	Name	Remarks	Qty	Model	Pos	Part Number	Name	Remarks	Qty	Model
20	911 613 238 00	cap with symbol		1							
21	911 613 237 00	cap with symbol		1							
		- - - E N D - - -									

Model	Year	MG	SG	Illustration	Restrictions	Update	10:36	21.08.2006	PORSCHE	PET	PORSCHE
911t	77	8	13	813-55		203					

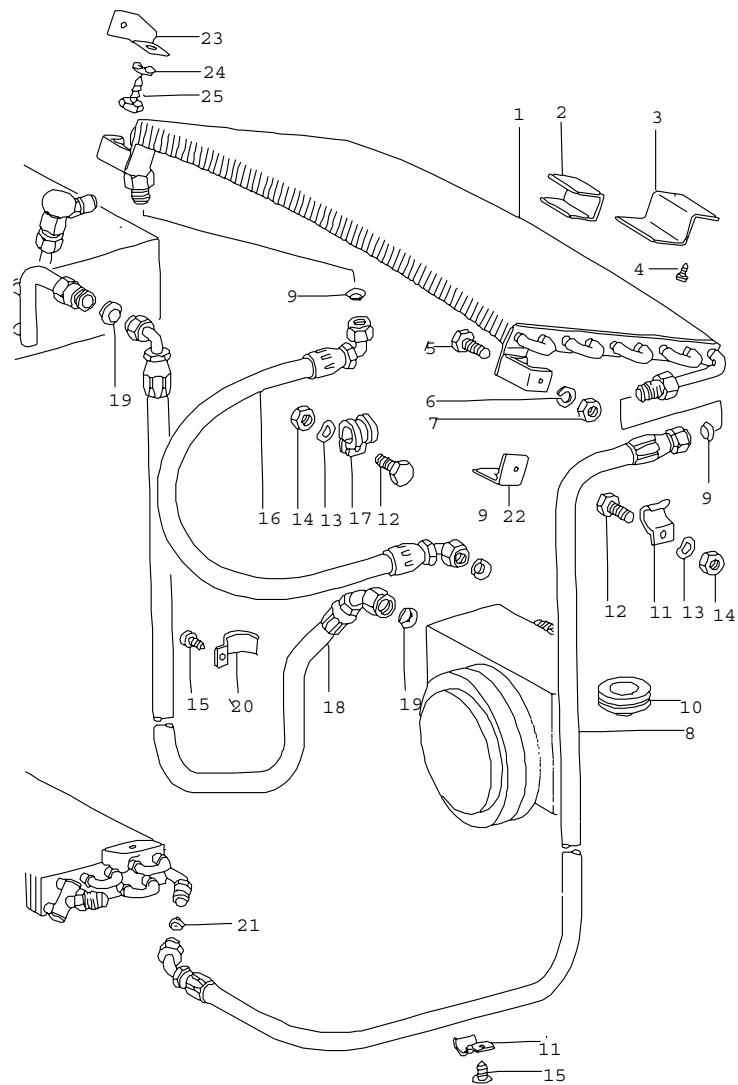


Pos	Part Number	Name	Remarks	Qty	Model
		air conditioner condenser lines front			
1	911 573 056 00	condenser	/V	1	
2	911 573 058 01	stone guard		1	
3	900 075 057 02	hexagon-head bolt M 6 X 16		3	
4	N 012 007 2	lock ring B 6		3	
5	N 011 524 7	washer 6,4		3	
6	911 573 055 00	protection		1	
7	911 573 513 01	spacer		2	
8	N 040 281 1	hexagon-head bolt M 10 X 45		2	
9	900 027 016 02	lock ring B 10		2	
10	900 151 026 02	washer B10,5		2	
11	900 075 085 02	hexagon-head bolt M 8 X 20		1	
12	900 027 015 02	lock ring B 8		1	
13	900 025 007 02	washer B 8,4		1	
14	911 501 581 01	air baffle		1	
15	911 624 013 01	blower		1	
16	911 573 161 00	intake manifold		1	
17	911 573 515 00	gasket		1	
18	911 573 154 01	hose NW 8		1	
19	901 573 148 00	gasket 5/8 "	-75	4	
20	911 573 152 02	hose NW 10	/LL	1	
21	901 573 143 00	rubber sleeve		1	

Model	Year	MG	SG	Illustration	Restrictions	Update	10:36	21.08.2006	PORSCHE	PET	PORSCHE
911t	77	8	13	813-55		203					

Pos	Part Number	Name	Remarks	Qty	Model	Pos	Part Number	Name	Remarks	Qty	Model
22	901 573 142 00	rubber sleeve		1							
23	901 573 155 00	flange	-76	1							
24	N 010 207 6	hexagon-head bolt M 5 X 12	-76	1							
25	N 012 005 3	lock ring B 5	-76	1							
26	999 507 315 02	captive nut	-76	1							
27	911 573 939 02	desiccator		1							
28	901 573 141 00	hose clamp		2							
29	901 573 140 00	holder		1							
30	900 143 007 02	tapping screw B 4,2 X 13		2							
		- - - E N D - - -									

Model	Year	MG	SG	Illustration	Restrictions	Update	10:36	21.08.2006	PORSCHE	PET	PORSCHE
911t	77	8	13	813-60		203					

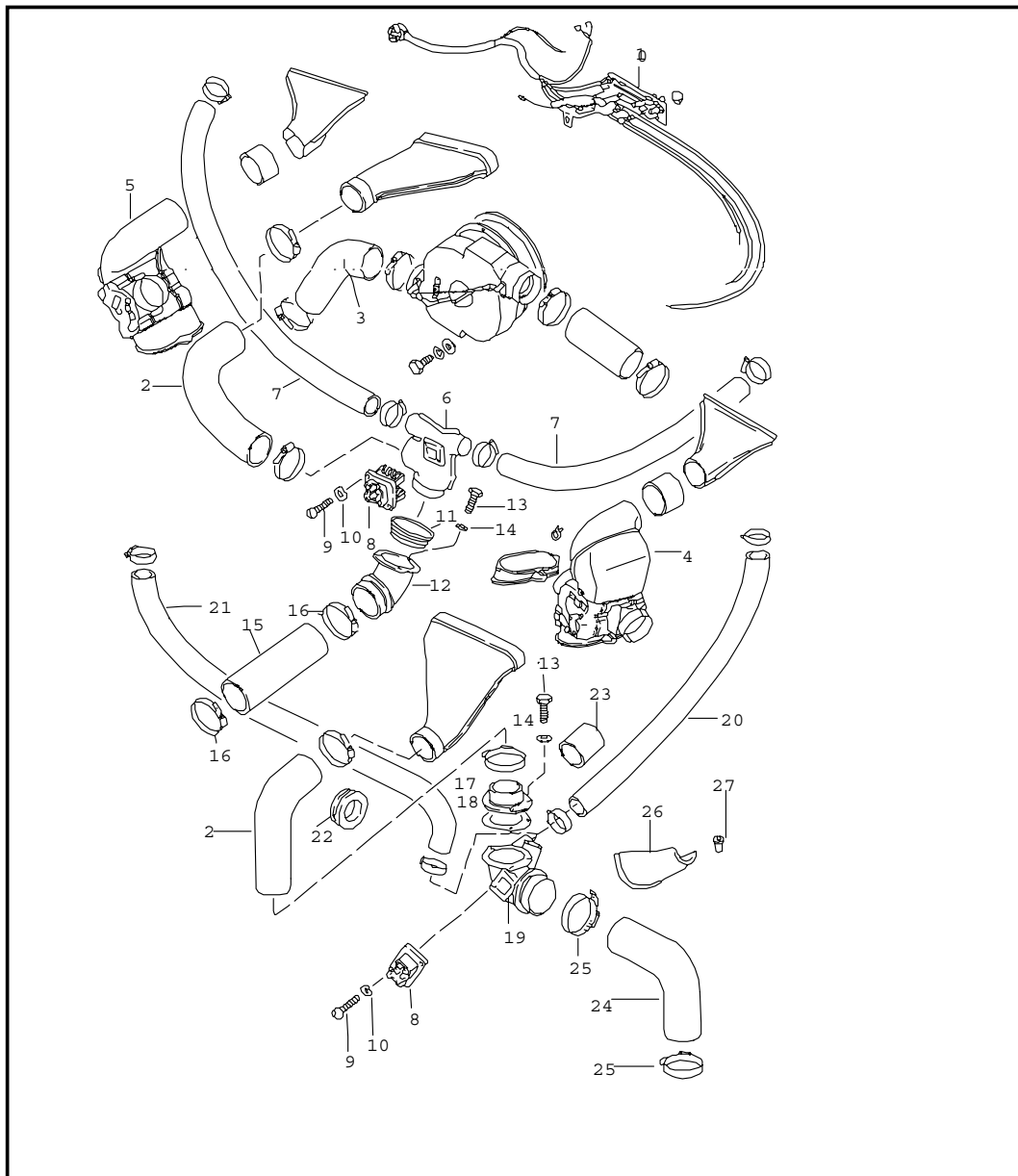


Pos	Part Number	Name	Remarks	Qty	Model
		air conditioner condenser lines rear			
(1)	930 573 056 00	condenser		1	
2	901 573 138 00	moltoprene shim 6 X 65 X 85		1	
3	911 573 147 00	bracket		1	
4	N 013 961 2	tapping screw B 3,9 X 13		1	
5	900 075 092 02	hexagon-head bolt M 4 X 10		2	
6	900 027 011 01	lock ring B 4		2	
7	N 011 004 6	hexagon nut M 4		2	
8	911 573 153 01	hose NW 10 , 5000 MM		1	
-	930 573 151 00	hose NW 10 , 230 MM		1	
9	901 573 147 00	gasket 3/4"		3	
10	901 573 143 00	rubber sleeve		1	
11	999 513 002 40	tie-wrap		18	
12	N 010 207 6	hexagon-head bolt M 5 X 12		2	
(12)	N 010 209 5	hexagon-head bolt M 5 X 25		1	
-	911 573 517 00	spacer sleeve		1	
13	N 012 005 3	lock ring B 5		2	
14	900 076 027 02	hexagon nut M 5		2	
15	900 187 025 02	hexagon-head tapping screw B 5,5 X 13		X	
(16)	923 573 150 00	hose NW 10		1	
17	999 511 066 02	clamp	-75	1	

Model	Year	MG	SG	Illustration	Restrictions	Update	10:36	21.08.2006	PORSCHE	PET	PORSCHE
911t	77	8	13	813-60		203					

Pos	Part Number	Name	Remarks	Qty	Model	Pos	Part Number	Name	Remarks	Qty	Model
18	911 573 149 02	hose NW 13		1							
19	901 573 146 00	gasket 7/8"		2							
20	911 573 145 00	clamp		10							
21	901 573 148 00	gasket 5/8"	-75	1							
- - - E N D - - -											

Model	Year	MG	SG	Illustration	Restrictions	Update	10:36	21.08.2006	PORSCHE	PET	PORSCHE
911t	77	8	13	813-65		203					



Pos	Part Number	Name	Remarks	Qty	Model
		air conditioner cooling air duct			
		installation parts without POS. see group 8/13/05			
(1)	911 613 111 08	control switch	/LL	1	
2	911 571 243 00	air hose		1	
3	473 261 233 A	air hose		1	
4	911 571 049 02	control box	/L	1	
5	911 571 050 02	control box	/R	1	
6	911 573 031 00	air distributor	/LL	1	
7	911 573 204 00	air hose	/LL	2	
8	911 618 151 00	thermo bi-metal switch		1	
9	900 146 011 02	oval-head screw AM 4 X 10		2	
10	N 012 224 3	spring washer A 4		2	
11	911 641 909 00	rubber ring	/LL	1	
12	911 573 087 00	connecting piece	/LL	1	
13	N 010 207 6	hexagon-head bolt M 5 X 12		3	
14	900 025 003 02	washer 5,3		3	
15	911 571 240 01	air hose	/LL	1	
16	999 512 351 02	hose clamp	/LL	2	
		- - - E N D - - -			

Model	Year	MG	SG	Illustration	Restrictions	Update	10:37	21.08.2006
911t	77	8	98	898-00		203		

Pos	Part Number	Name	Remarks	Qty	Model
		set of locks repair kits			
		set of locks			
		COUPE			
>>	> 911 531 913 28	set of locks for subsequent installat. comprising:	-75	1	
-	911 531 061 28	outer door handle	/L	1	
-	911 531 062 28	outer door handle	/R	1	
-	914 531 637 10	main key		2	
-	914 531 903 11	blank key		2	
-	911 613 902 01	steering lock with buzzer contact		1	
-	911 552 902 07	glove compartment lock		1	
-	911 511 903 00	lock		1	
		COUPE			
>>	> 911 538 901 14	set of locks chrome for subsequent installat. comprising:	M 76-	1	
-	911 531 061 00	outer door handle	/L	1	
-	911 531 062 00	outer door handle	/R	1	
-	911 531 946 00	main key with key lamp		1	
-	914 531 637 10	main key		1	
-	914 531 903 11	blank key		1	
-	911 613 902 01	steering lock with buzzer contact		1	
-	911 552 902 03	glove compartment lock		1	
>>	> 911 531 915 28	set of locks black for subsequent installat. comprising:	76-	1	
-	911 531 061 28	outer door handle	/L	1	
-	911 531 062 28	outer door handle	/R	1	

PORSCHE

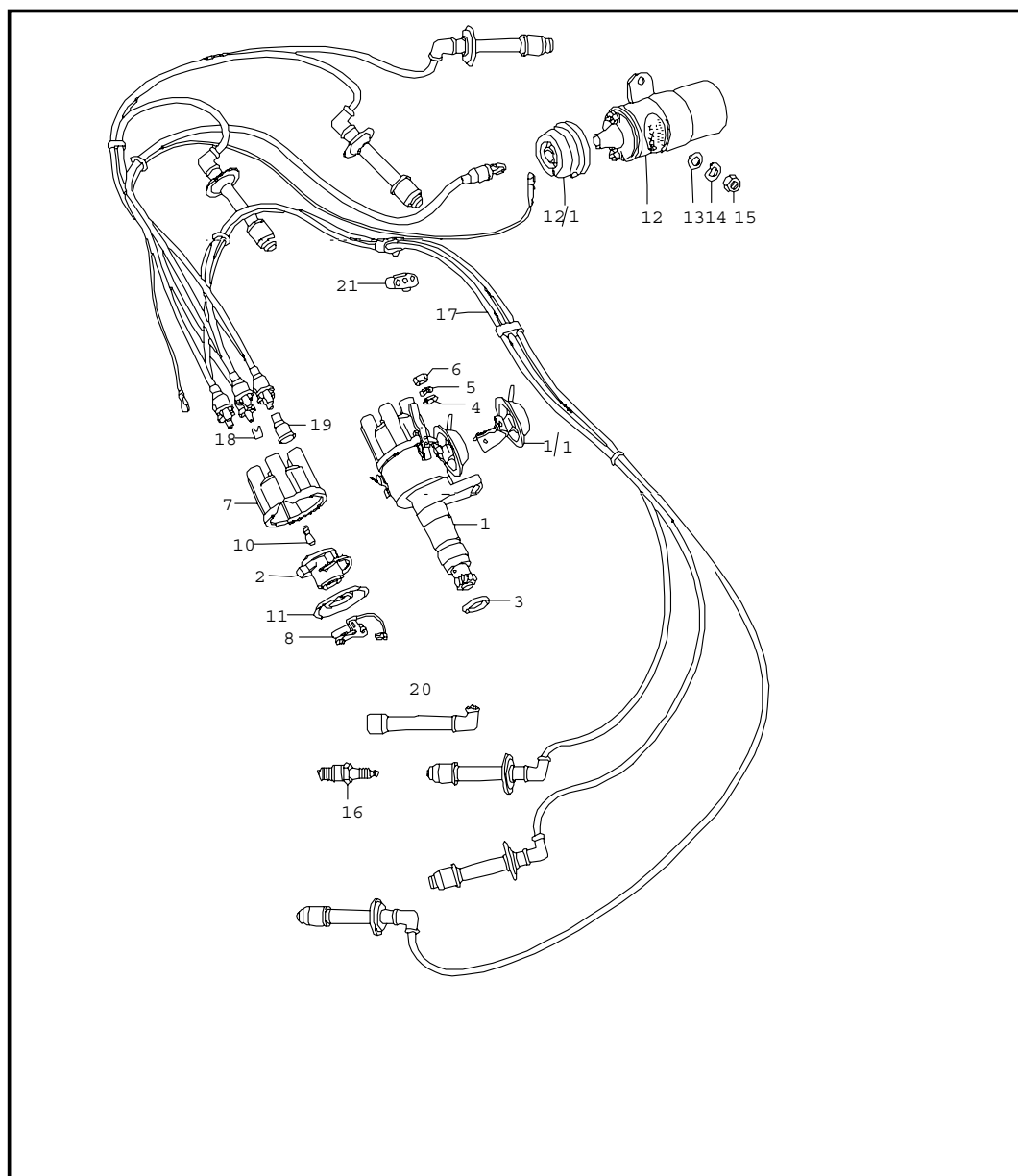
PET

PORSCHE

Model	Year	MG	SG	Illustration	Restrictions	Update	10:37	21.08.2006
911t	77	8	98	898-00		203		

Pos	Part Number	Name	Remarks	Qty	Model
-	911 531 946 00	main key with key lamp		1	
-	914 531 637 10	main key		1	
-	914 531 903 11	blank key		1	
-	911 613 902 01	steering lock with buzzer contact		1	
-	911 552 902 03	glove compartment lock repair kits		1	
-	911 701 057 01	set of fastening parts number plate front and rear	(USA)	1	
-	999 703 065 50	plug for support front		2	
- - - E N D - - -					

Model	Year	MG	SG	Illustration	Restrictions	Update	10:37	21.08.2006	PORSCHE	PET	PORSCHE
911t	77	9	01	901-00		203					

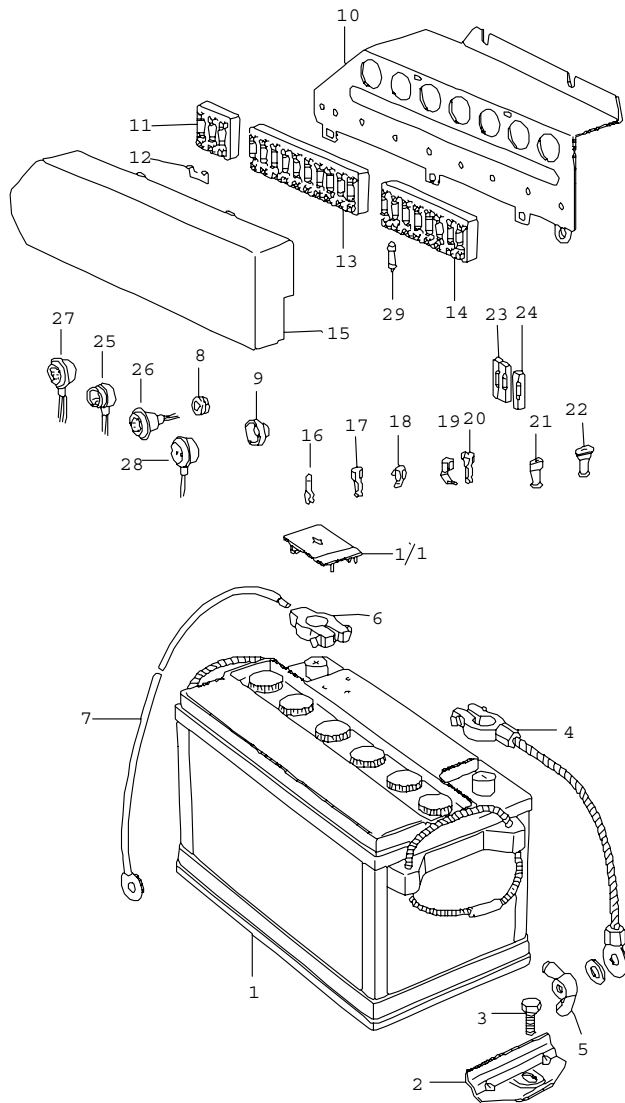


Pos	Part Number	Name	Remarks	Qty	Model
		engine electric. equipment			
(1)	930 602 101 00	distributor		1	
(1)	930 602 101 X	distributor - bosch - for 930/50/51/52/53		1	
(1/1)	930 602 903 00	vacuum unit - bosch -		1	
(2)	930 602 901 01	rotor - bosch -		1	
3	911 602 102 01	sealing ring		1	
4	900 025 007 02	washer B 8,4		1	
5	N 012 241 8	spring washer 8 X 15		1	
6	900 076 025 02	hexagon nut M 8		1	
(7)	930 602 904 00	distributor cap - bosch -		1	
(10)	930 602 905 00	wiper contact - bosch -		1	
(11)	930 602 906 00	dust cover - bosch -		1	
(12) A	930 602 503 00	ignition transformer		1	
(12)	930 602 503 01	ignition transformer		1	
12/1	911 602 801 00	protection cap		1	
13	900 025 007 02	washer 8,4		2	
14	N 012 241 8	spring washer B 8 X 15		2	
15	900 076 025 02	hexagon nut M 8		2	
(16)	999 170 128 90	spark plug - bosch -		6	
(17)	911 609 010 07	set ignition cables	/R	1	
(17)	911 609 011 07	set ignition cables	/L	1	

Model	Year	MG	SG	Illustration	Restrictions	Update	10:37	21.08.2006	PORSCHE	PET	PORSCHE
911t	77	9	01	901-00		203					

Pos	Part Number	Name	Remarks	Qty	Model	Pos	Part Number	Name	Remarks	Qty	Model
-	911 609 061 07	ignition lead distributor ignition transformer	76-	1							
-	900 612 001 00	ignition lead	-75	*							
(18)	911 609 510 00	cable plug		1							
19	999 659 001 40	protective cap		8							
20	901 609 309 00	screened connector	-76	6							
(20)	911 602 315 00	spark plug socket	77-	6							
21	901 609 591 00	cable holder		3							
-	122 035 281	suppressor cap		7							
		- - - E N D - - -									

Model	Year	MG	SG	Illustration	Restrictions	Update	10:37	21.08.2006	PORSCHE	PET	PORSCHE
911t	77	9	02	902-00		203					

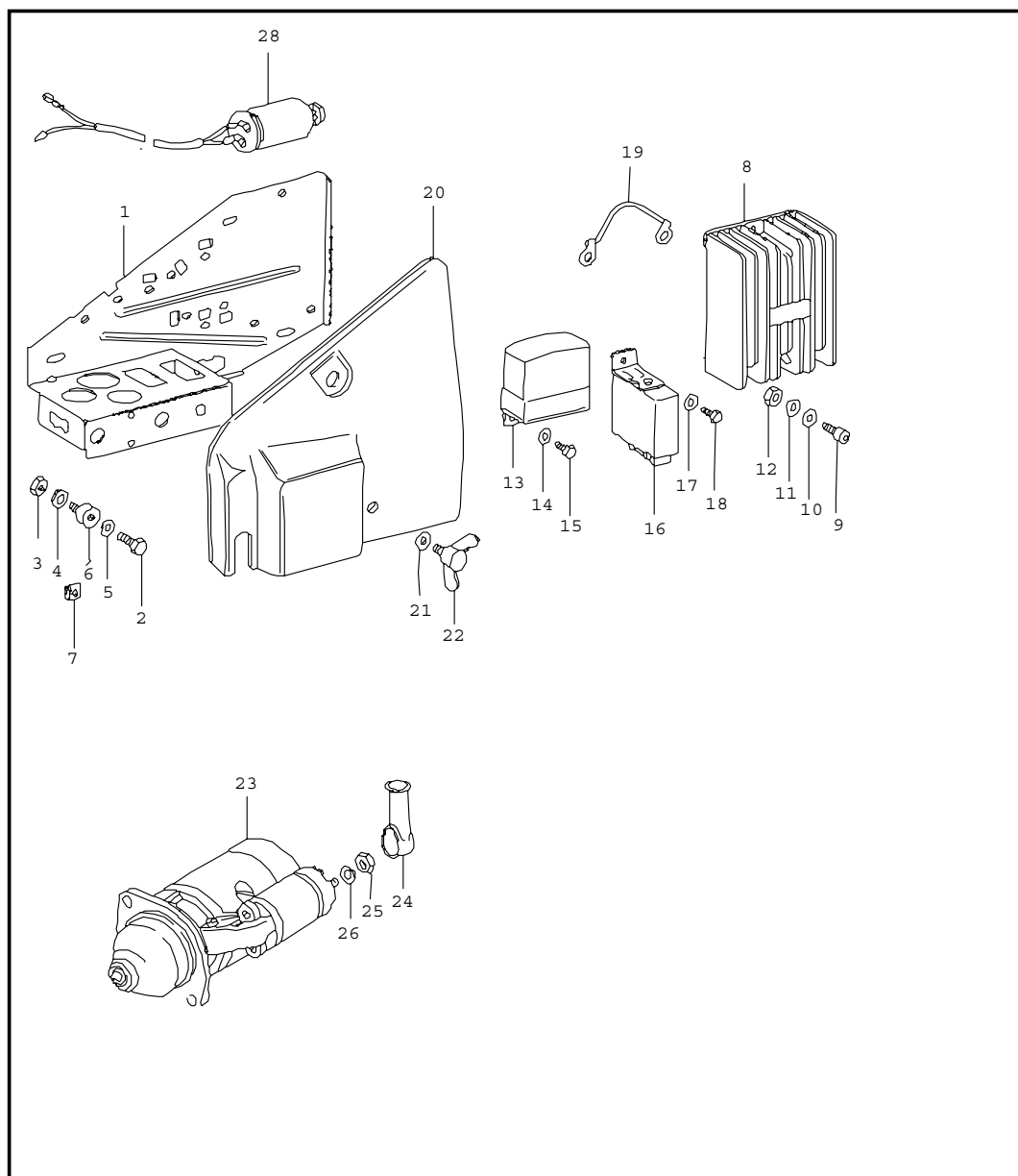


Pos	Part Number	Name	Remarks	Qty	Model
1	999 611 023 90	battery plate		1	
(1)	999 611 024 90	battery 12 V 66 AH		1	
1/1	999 611 104 00	battery 12 V 88 AH		1	
1/1	999 611 104 00	pole covering		1	
2	911 611 209 00	bracket		1	
3	999 075 032 02	hexagon-head bolt M 8 X 20		1	
4	-	ground strap see group 9/02/20		1	
5	999 044 001 02	winged nut		1	
-	900 025 025 02	washer 8,4		4	
-	900 076 030 02	hexagon nut M 8		3	
6	911 611 898 01	terminal		1	
7	-	battery-starter cable see group 9/02/20		1	
8	999 702 051 50	grommet		1	
9	911 611 921 00	rubber boot		1	
10	911 612 197 00	plate		1	
-	911 612 401 00	spacer		1	
-	900 025 002 02	washer 4,3		2	
-	900 143 076 02	oval-head sheetmetal screw 4,2 X 25		1	
11	911 612 093 05	fuse box		1	
-	900 146 009 02	oval-head screw 4 X 12		2	
12	901 612 835 01	connecting rail		1	
13	911 612 086 01	fuse box		1	
14	911 612 087 01	fuse box		1	

Model	Year	MG	SG	Illustration	Restrictions	Update	10:37	21.08.2006	PORSCHE	PET	PORSCHE
911t	77	9	02	902-00		203					

Pos	Part Number	Name	Remarks	Qty	Model	Pos	Part Number	Name	Remarks	Qty	Model
-	900 146 009 02	oval-head screw 4 X 12		4				- - - E N D - - -			
-	999 507 401 40	special nut		2							
15	911 612 161 01	cover	-76	1							
(15)	930 612 161 00	cover	77-	1							
16	999 652 115 10	flat plug		X							
17	111 971 959	flat receptacle		X							
(17)	999 652 106 02	flat receptacle		X							
(17)	N 017 491 8	flat receptacle		X							
(17)	N 017 494 3	flat receptacle		X							
18	999 652 122 10	multiple plug connector		X							
19	999 652 116 10	flat receptacle		X							
20	999 652 126 10	distributor		X							
21	999 652 119 40	connector housing		X							
22	999 652 120 40	insulating sleeve		X							
23	999 652 142 40	push-on connector 2-pole		X							
24	999 652 142 40	push-on connector single pole		X							
5+26	901 612 330 00	multiple plug connection 6-pole		X							
27	901 612 333 00	socket for standard type relay		X							
28	901 612 334 00	socket for flasher relay		X							
29	N 017 121 1	safety fuse 8 A		X							
(29)	N 017 121 5	safety fuse 25 A		X							
(29)	N 017 121 4	safety fuse 16 A		X							
29	900 173 006 90	safety fuse 5 A		X							

Model	Year	MG	SG	Illustration	Restrictions	Update	10:37	21.08.2006	PORSCHE	PET	PORSCHE
911t	77	9	02	902-05		203					

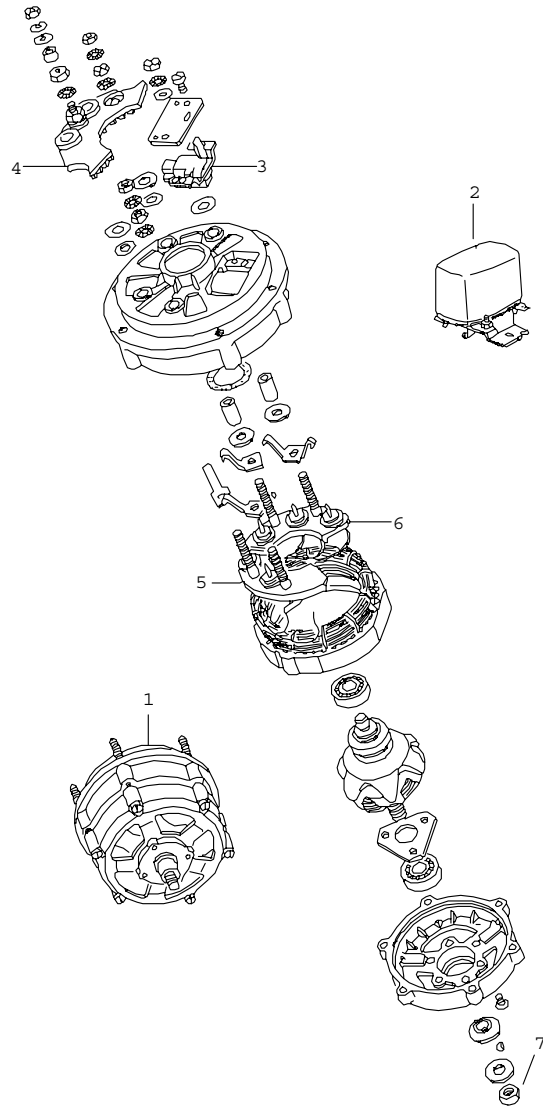


Pos	Part Number	Name	Remarks	Qty	Model
		plate starter switch unit			
(1)	911 610 103 03	plate		1	
-	999 507 321 02	captive nut		1	
-	999 507 325 02	klips nut lock	76-	3	
2	N 010 208 5	hexagon-head bolt M 6 X 8		3	
3	900 910 096 02	lock nut VM 6		3	
4	900 031 011 02	washer 6,4		3	
5	N 012 226 5	spring washer B 6		3	
6	999 703 302 00	silentbloc		3	
7	N 015 429 2	speed nut B 4,2		4	
(8)	930 602 701 00	switch unit		1	
(8)	930 602 701 X	switch unit		1	
-	900 067 148 02	pan-head screw M 5 X 25		3	
-	N 011 556 2	washer 5,3		3	
(13)	911 603 206 13	regulator MOTOROLA, MARCHAL, SEV generator		1	
-	930 617 117 01	relay slow-action relay ignition cut-off	77-	1	
14	900 151 001 02	washer A 4,3		2	
15	900 187 013 02	tapping screw BZ 4,2 X 13		2	
-	999 702 119 50	rubber sleeve		2	
16	911 615 115 00	relay for rear window two-stage heatable		1	

Model	Year	MG	SG	Illustration	Restrictions	Update	10:37	21.08.2006	PORSCHE	PET	PORSCHE
911t	77	9	02	902-05		203					

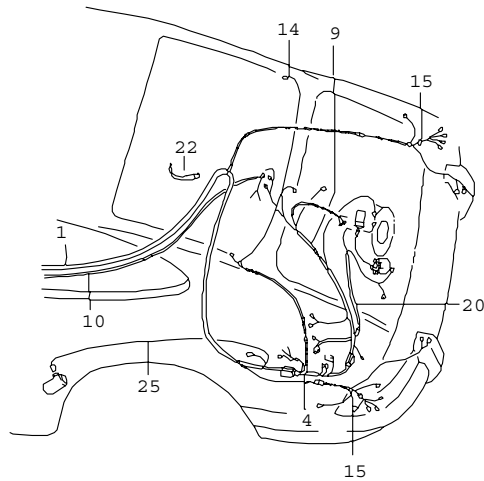
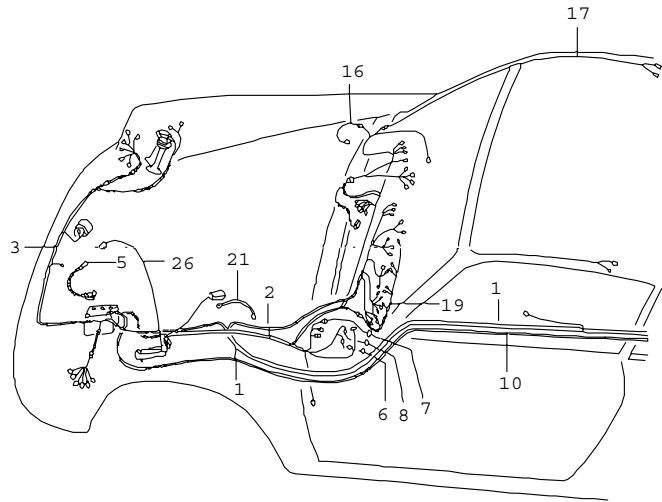
Pos	Part Number	Name	Remarks	Qty	Model	Pos	Part Number	Name	Remarks	Qty	Model
19	911 612 008 00	ground strap		1							
(20)	930 610 105 00	cover	-75	1							
(20)	930 610 105 03	cover	76-	1							
21	900 151 003 02	washer A 6,4		2							
22	900 029 102 02	winged screw M 6 X 12		2							
(23) >	916 604 101 00	starter (1,5 PS)		1							
24	999 659 006 50	protection cap		1							
25	N 011 132 2	hexagon nut M 8		1							
26	N 012 008 2	lock ring B 8		1							
-	911 615 108 01	standard type relay red		1							
-	999 652 315 02	flat plug for 1,5 PS starter		1							
-	911 612 093 05	fuse box triple		1							
-	900 014 074 02	pan-head screw AM 4 X 12		2							
-	900 028 018 01	spring washer B 4		2							
-	N 011 004 6	hexagon nut M 4		2							
28	911 618 401 00	condenser		1							
-	901 423 369 00	retaining bracket		1							
		- - - E N D - - -									

Model	Year	MG	SG	Illustration	Restrictions	Update	10:38	21.08.2006	PORSCHE	PET	PORSCHE
911t	77	9	02	902-10		203					



Pos	Part Number	Name	Remarks	Qty	Model
		generator see technical information GR.2 , NR.28 see tpi GR.9 , NR.13 , 09/94			
(1)	911 603 120 02	generator 980 W MOTOROLA, MARCHAL, SEV		1	
2	-	regulator MOTOROLA, MARCHAL, SEV see group 9/02/05		1	
		single parts for MOTOROLA, MARCHAL, SEV generator			
3	901 603 907 00	support		1	
7	-	hexagon nut M 16 X 1 see group 1/05/00		1	
		- - - E N D - - -			

Model	Year	MG	SG	Illustration	Restrictions	Update	10:38	21.08.2006	PORSCHE	PET	PORSCHE
911t	77	9	02	902-20		203					



Pos	Part Number	Name	Remarks	Qty	Model
		harnesses			
(1)	930 612 001 02	wiring harness tunnel	/LL 76	1	
(1)	930 612 001 03	wiring harness tunnel	/LL 77-	1	
-	999 513 002 40	tie-wrap		1	
-	999 702 132 50	rubber sleeve	76-	1	
-	999 513 023 40	tie-wrap		X	
2	911 612 002 12	wiring harness boot floor plate	/LL -76	1	
(2)	911 612 002 13	wiring harness boot floor plate	/LL 77-	1	
-	930 612 091 00	single line for indicator light generator instrument cluster	77-	1	
-	911 617 108 00	diode for indicator light generator bridge instrument cluster	77-	1	
3	911 612 003 01	wiring harness front trunk		1	
5	911 611 899 00	ground strap battery body		1	
(6)	911 612 010 01	wiring harness light switch	76-	1	
(7)	911 612 011 32	wiring harness ignition starter switch	76-	1	
8	911 612 014 30	wiring harness hazard warning light sw.		1	
(9)	930 612 016 01	wiring harness engine	76	1	930/51/52
(9)	930 612 016 02	wiring harness engine	77-	1	930/52/53/54
-	901 612 893 01	clutch for regulator		1	

Model	Year	MG	SG	Illustration	Restrictions	Update	10:38	21.08.2006	PORSCHE	PET	PORSCHE
911t	77	9	02	902-20		203					

Pos	Part Number	Name	Remarks	Qty	Model	Pos	Part Number	Name	Remarks	Qty	Model
-	999 911 041 00	protective edging 150 MM		1		(14)	911 612 037 01	wiring harness rear window heating two-stage heatable		2	
10	911 612 022 22	battery-starter cable		1		(15)	911 612 039 03	wiring harness rear light		2	
-	911 612 821 00	covering for cable holder seat well	76-	1		16	911 612 044 21	wiring harness luggage boot lamp		1	
-	911 612 025 01	wiring harness tunnel rear window wiper	/LL	1		-	911 612 043 02	wiring harness indicator light brake	76	1	
-	911 612 019 00	wiring harness fuse box rear window wiper	/LL	1		-	911 612 170 01	wiring harness brake fluid indicator light	/LL 77-	1	
-	911 612 031 01	wiring harness rear window wiper engine		1		19	911 612 047 00	wiring harness illumination instruments		1	
-	911 612 223 00	single line rear window wiper switch		1		-	911 612 167 00	wiring harness power windows	76-	1	
-	901 612 066 02	wiring harness switch fog headlamp rear fog light		1		-	911 612 104 01	wiring harness power windows control switch driver's door		1	
-	911 612 027 03	additional cables fog headlamp		1		-	911 612 104 02	wiring harness power windows control switch passenger's door		1	
-	901 612 064 00	ground cable fog headlamp rear fog light		1		-	911 612 147 00	wiring harness power windows relay		1	
-	911 612 027 01	ground cable fog headlamp		1	(USA) (CDN) (J)	-	930 612 173 00	wiring harness thermo valve		1	930/53
-	911 612 034 00	wiring harness sunroof	/LL	1		21	901 612 303 20	ground strap tank filler neck		1	
-	911 612 032 01	wiring harness rear window heating two-stage heatable		1		22	999 611 920 20	ground strap transmission body		1	
-	911 612 035 00	wiring harness relay rear window heating two-stage heatable		1		-	901 612 030 07	wiring harness rear window heating two-stage heatable		1	
14	911 612 036 00	wiring harness rear window heating		1		-	911 612 057 00	wiring harness windscreen heating	/LL	1	
						(25)	911 612 072 13	wiring harness fuel pump	-76	1	

Model	Year	MG	SG	Illustration	Restrictions	Update	10:38	21.08.2006	PORSCHE	PET	PORSCHE
911t	77	9	02	902-20		203					

Pos	Part Number	Name	Remarks	Qty	Model	Pos	Part Number	Name	Remarks	Qty	Model
(25)	930 612 072 03	wiring harness fuel pump	77-	1							
26	930 612 072 01	wiring harness fuel pump	-76	1							
(26)	930 612 072 02	wiring harness fuel pump	77-	1							
		mounting parts for wiring harness fuel pump									
-	N 012 005 3	lock ring B 5		1							
-	900 076 027 02	hexagon nut M 5		1							
-	900 027 011 01	lock ring B 4		1							
-	N 011 004 6	hexagon nut M4		1							
-	911 612 083 00	ground cable ashtray light		1							
-	911 612 076 00	wiring harness headlight washer system with air conditioner		1							
-	911 612 059 02	wiring harness wipe interval	76-	1							
		seat belt warning system									
-	911 612 041 03	wiring harness	76	1							
-	911 612 041 08	wiring harness seat belt indicator light brake	77-	1							
-	911 617 108 00	diode		1							
-	911 618 102 00	warning time relay		1							
-	N 013 970 5	tapping screw B 4,8 X 9,5		2							
-	999 591 383 02	cable clamp		1							
		- - - E N D - - -									

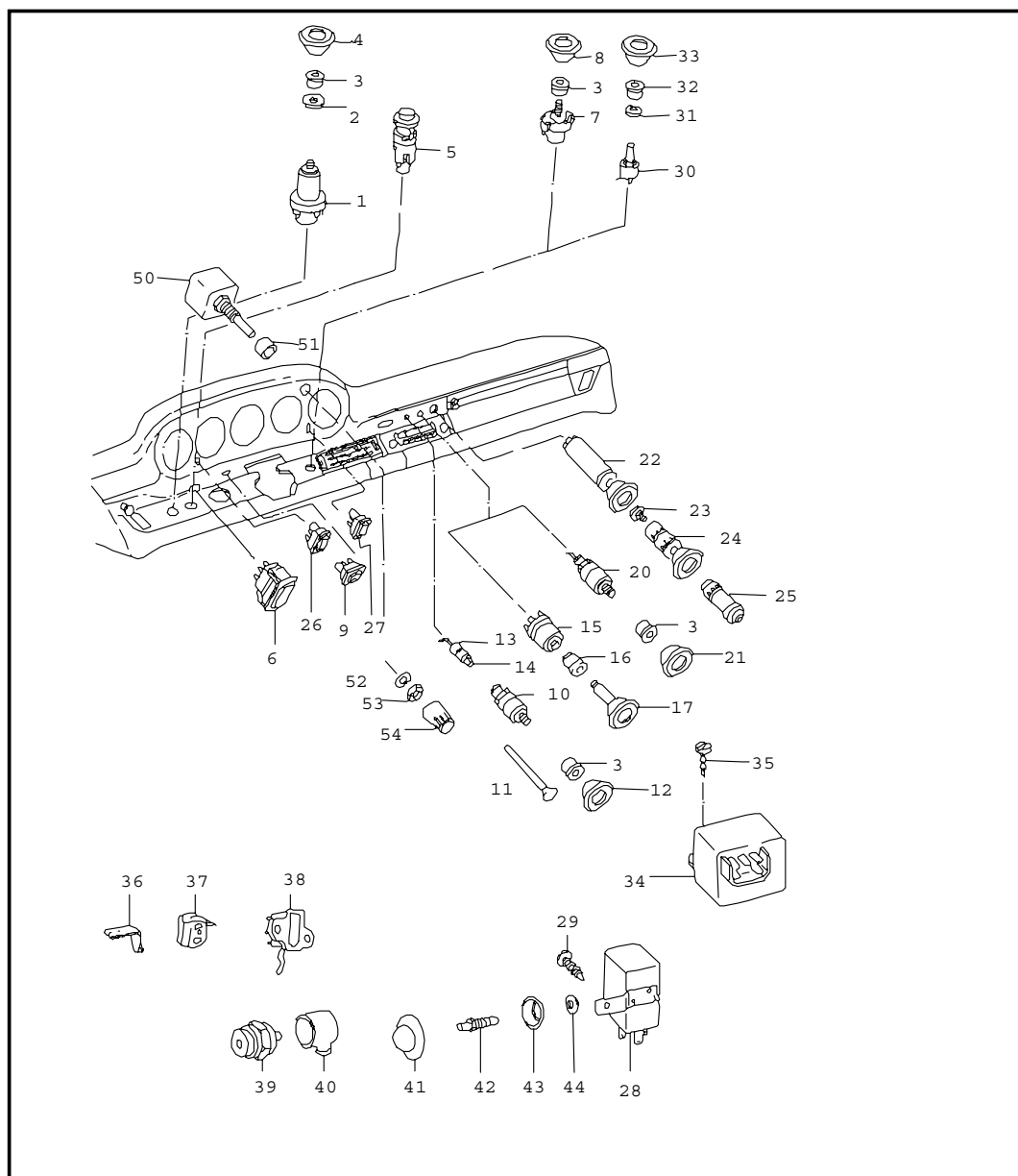
Model	Year	MG	SG	Illustration	Restrictions	Update	10:38	21.08.2006	PORSCHE	PET	PORSCHE
911t	77	9	03	903-00		203					

Pos	Part Number	Name	Remarks	Qty	Model
1	911 613 902 01	sender relay horn		1	
(1)	911 613 904 00	steering lock with buzzer contact w/o stipulated lock number		1	
1/1	911 613 125 00	steering lock with buzzer contact state lock number		1	
2	911 613 017 01	buzzer contact		1	
3	914 531 637 10	ignition starter switch		1	
(3)	914 531 903 11	main key state lock number		2	
(3)	914 531 903 11	blank key state lock number		2	
(3)	914 531 903 10	blank key for main key		1	
(3)	914 531 903 11	blank key for secondary key		1	
(3)	911 531 946 00	main key with light state lock number	76-	1	
(3)	911 531 945 00	blank key with light	76-	1	
-	911 531 638 00	cap		1	
-	928 537 627 02	pressure spring		1	
-	911 531 640 00	bulb		1	
-	911 531 641 00	bridge		1	
-	911 531 642 00	cover		1	
4	911 347 359 01	reinforcement plate		1	
5	999 219 017 02	shear bolt		2	
6	911 613 169 00	washer	76-	1	
7	911 613 160 00	rose		1	

Model	Year	MG	SG	Illustration	Restrictions	Update	10:38	21.08.2006	PORSCHE	PET	PORSCHE
911t	77	9	03	903-00		203					

Pos	Part Number	Name	Remarks	Qty	Model	Pos	Part Number	Name	Remarks	Qty	Model
-	999 190 113 02	blind rivet		2		(21)	911 635 102 20	fanfare low-pitched		1	
8	914 618 303 11	flasher relay		1		22	911 635 096 00	support for fanfare high-pitched		1	
9	911 615 109 01	standard type relay		X		(22)	911 635 097 01	support for fanfare low-pitched		1	
10	-	microswitch see group 1/06/05 + 1/06/00				23	900 075 087 02	hexagon-head bolt M 8 X 16		2	
11	-	switch for back-up light see group 3/08/00				24	900 027 005 02	lock ring A 8		2	
12	-	bridging switch see group 3/07/05				25	900 151 008 02	washer 8,4		2	
13	-	temperature switch see group 3/07/05				-	911 615 115 00	relay for rear window heating two-stage heatable		1	
14	-	brake pad wear indicator see group 6/04/00				-	N 015 429 2	speed nut B 4,2		1	
15	-	oil-level sender electric see group 1/04/05				-	900 151 001 02	washer A 4,3		1	
16	901 612 891 01	connector housing for sender		1		-	900 187 013 02	tapping screw BZ 4,2 X 13		1	
16/1	901 201 275 30	cap		1				- - - E N D - - -			
17	901 741 801 00	sender for fuel-level indicator fuel tank (62 - 85 L) see group 2/01/00		1							
18	477 919 133	sealing ring		1							
19	900 028 007 02	spring washer B 5		5							
20	900 076 027 02	hexagon nut M 5		5							
21	911 635 101 20	fanfare high-pitched		1							

Model	Year	MG	SG	Illustration	Restrictions	Update	10:38	21.08.2006	PORSCHE	PET	PORSCHE
911t	77	9	03	903-05		203					

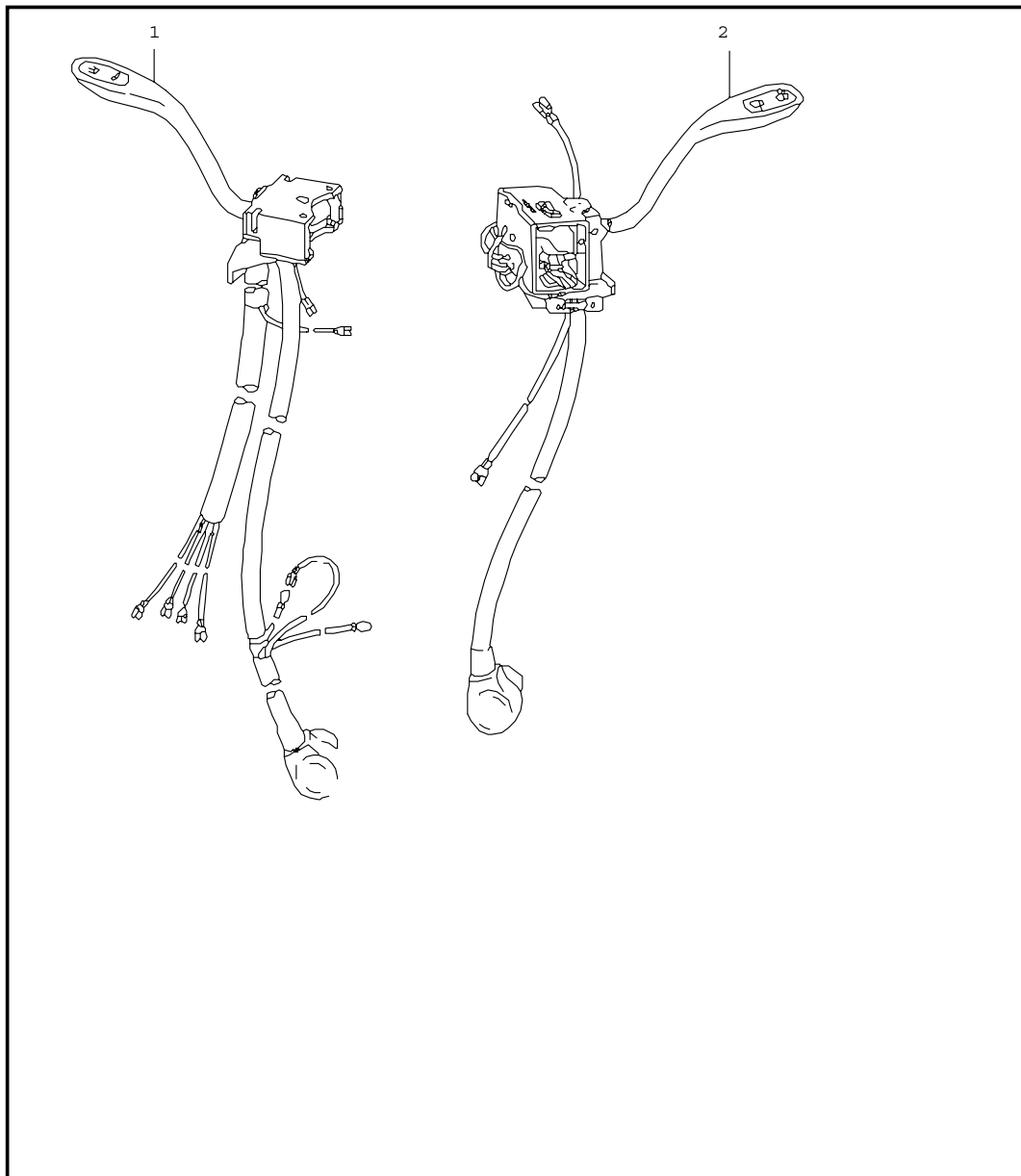


Pos	Part Number	Name	Remarks	Qty	Model
		switch			
1	911 613 029 01	switch		1	
2	900 151 026 02	washer B 10,5		1	
3	911 613 213 02	rose		1	
(4)	911 613 215 01	knob		1	
(5)	911 613 124 31	hazard warning light sw.		1	
-	911 612 249 00	resistor 150 OHM - 2 W		1	
6	911 613 622 00	tip switch for sliding roof		1	
-	911 613 621 03	switch for window opener		3	
-	911 613 635 20	wiper frame for window opener		3	
9	911 613 113 00	changeover switch for electric adjustment door mirror		1	
(10)	911 613 145 00	switch for rear window heating two-stage heatable		1	
11	911 613 228 00	luminous stick		1	
-	999 703 067 50	grommet		1	
12	911 613 215 03	knob		1	
13	999 632 007 00	bulb holder		X	
14	900 631 102 90	bulb 12 V 2 W		X	
20	902 613 623 90	switch for fog headlamp rear fog light		1	
-	911 612 251 00	resistor for fog headlamp rear fog light		1	
21	911 613 215 02	knob		1	
22	911 652 102 06	cigarette lighter		1	

Model	Year	MG	SG	Illustration	Restrictions	Update	10:38	21.08.2006	PORSCHE	PET	PORSCHE
911t	77	9	03	903-05		203					

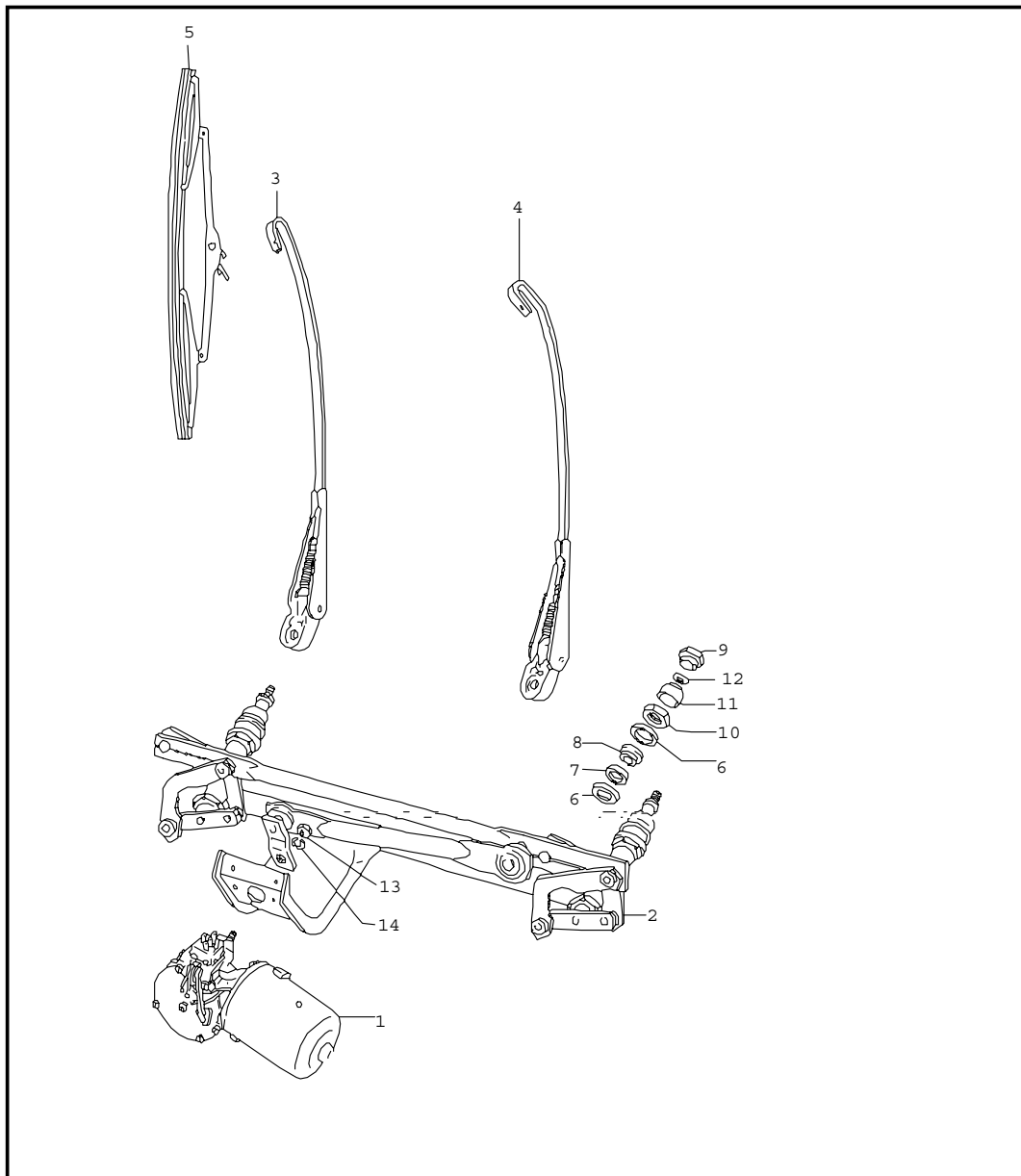
Pos	Part Number	Name	Remarks	Qty	Model	Pos	Part Number	Name	Remarks	Qty	Model
23	644 652 112 00	glower for cigarette lighter		1		39	-	back-up light switch without cap see group 3/02/05			
24	911 652 122 02	connector for cigarette lighter		1		40	-	protection cap see group 3/02/05			
25	901 613 801 00	connector		1		41	901 615 616 20	rubber cap		2	
26	911 613 321 01	tip switch for rear window wiper		1		42	964 613 601 00	door contact switch for interior light luggage boot lamp		3	
27	911 613 319 01	tip switch for headlight washer system		1		(42)	901 615 601 02	door contact switch for glove compartment light		1	
28	928 618 111 00	relay for headlight washer system		1		43	901 615 615 20	concave washer		2	
29	N 013 968 7	tapping screw B 4,8 X 13		1		44	900 031 001 60	washer 8,4		2	
30	911 618 147 00	potentiometer wipe interval	-75	1		50	911 618 147 01	potentiometer wipe interval		1	
31	900 151 007 01	washer	-75	1		51	911 618 207 00	spacer sleeve		1	
32	911 618 213 00	rose	-75	1		52	900 028 019 01	spring washer B 7		1	
33	911 618 214 00	knob	-75	1		53	911 618 209 00	hexagon nut M 7 X 0.75		1	
34	911 618 149 00	pulse sender wipe interval	-75	1		54	911 618 011 00	knob with spring		1	
(34)	911 618 149 01	pulse sender wipe interval	76-	1							
35	N 013 970 5	tapping screw B 4,8 X 9,5		1							
36	-	contact bow contact piece see group 7/01/05									
37	-	segment contact piece see group 7/01/05									
38	-	switch brake light see group 7/02/00; 7/02/01; 7/02/15; 7/02/20									
								- - - E N D - - -			

Model	Year	MG	SG	Illustration	Restrictions	Update	10:38	21.08.2006	PORSCHE	PET	PORSCHE
911t	77	9	03	903-10		203					



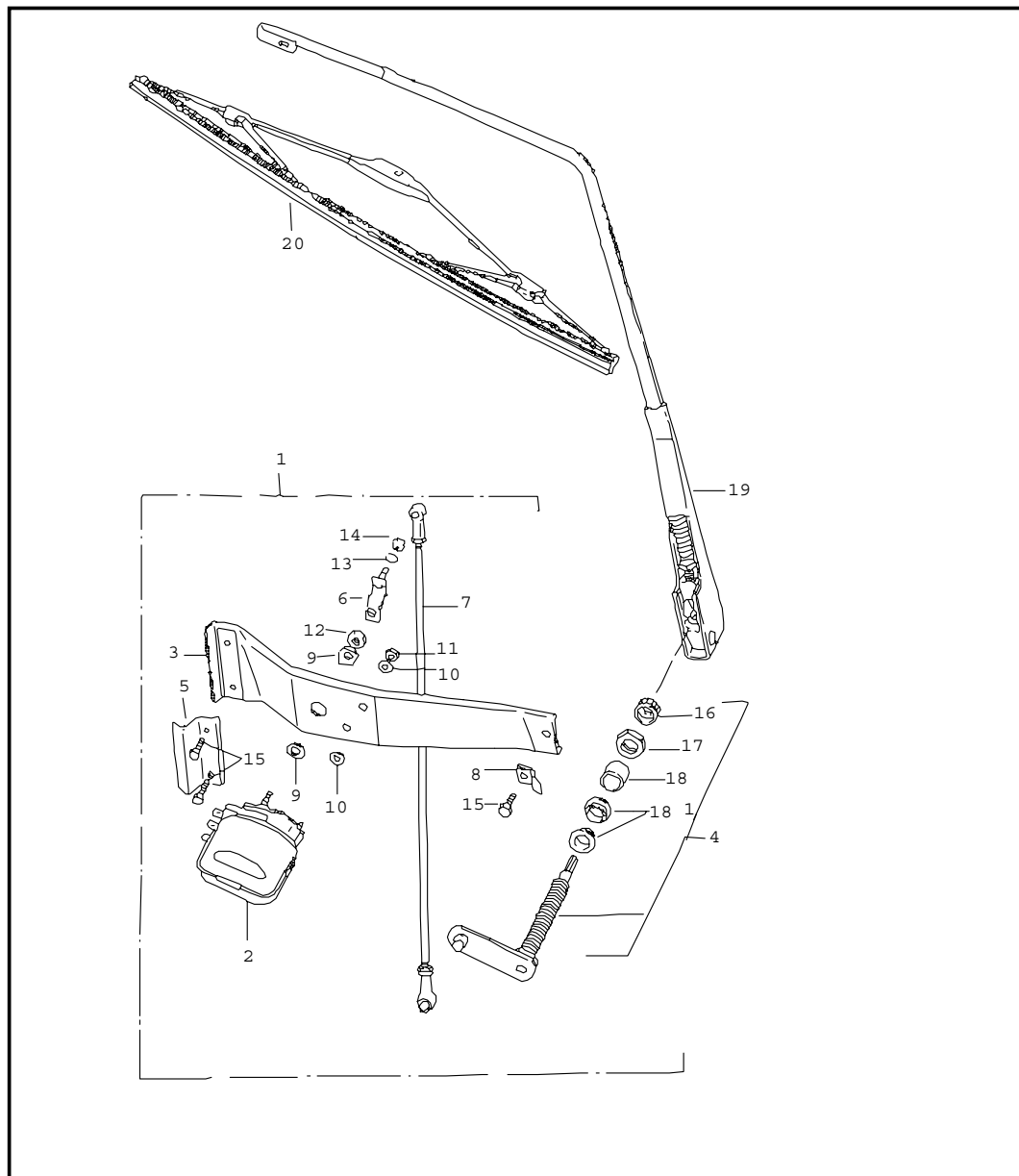
Pos	Part Number	Name	Remarks	Qty	Model
		steering column switch			
(1)	911 613 305 01	steering column switch	76-	1	
(2)	911 613 306 02	steering column switch	76-	1	
		- - - E N D - - -			

Model	Year	MG	SG	Illustration	Restrictions	Update	10:39	21.08.2006	PORSCHE	PET	PORSCHE
911t	77	9	04	904-00		203					



Pos	Part Number	Name	Remarks	Qty	Model
-	911 628 013 01	windscreen wiper system without wiper arm wiper blade switch	/LL	1	
1	911 628 115 01	wiper motor	/LL	1	
2	911 628 961 00	crank drive with installation parts POS. 6 - 12	/LL	1	
(3)	911 628 313 00	wiper arm	76-	1	
(4)	911 628 314 00	wiper arm right	/LL 76-	1	
5	914 628 311 10	wiper blade		2	
6	911 628 963 00	washer		4	
7	901 628 923 01	rubber bush		2	
8	901 628 924 00	rubber bush		2	
(9)	N 011 118 11	hexagon nut BM 8	76-	2	
10	901 628 925 00	hexagon nut		2	
11	901 628 926 00	cap		2	
12	901 628 927 00	spring washer		2	
13	900 076 010 02	hexagon nut M 6		1	
14	N 042 121 1	shake-proof washer 6,4		1	
- - - E N D - - -					

Model	Year	MG	SG	Illustration	Restrictions	Update	10:39	21.08.2006	PORSCHE	PET	PORSCHE
911t	77	9	04	904-05		203					

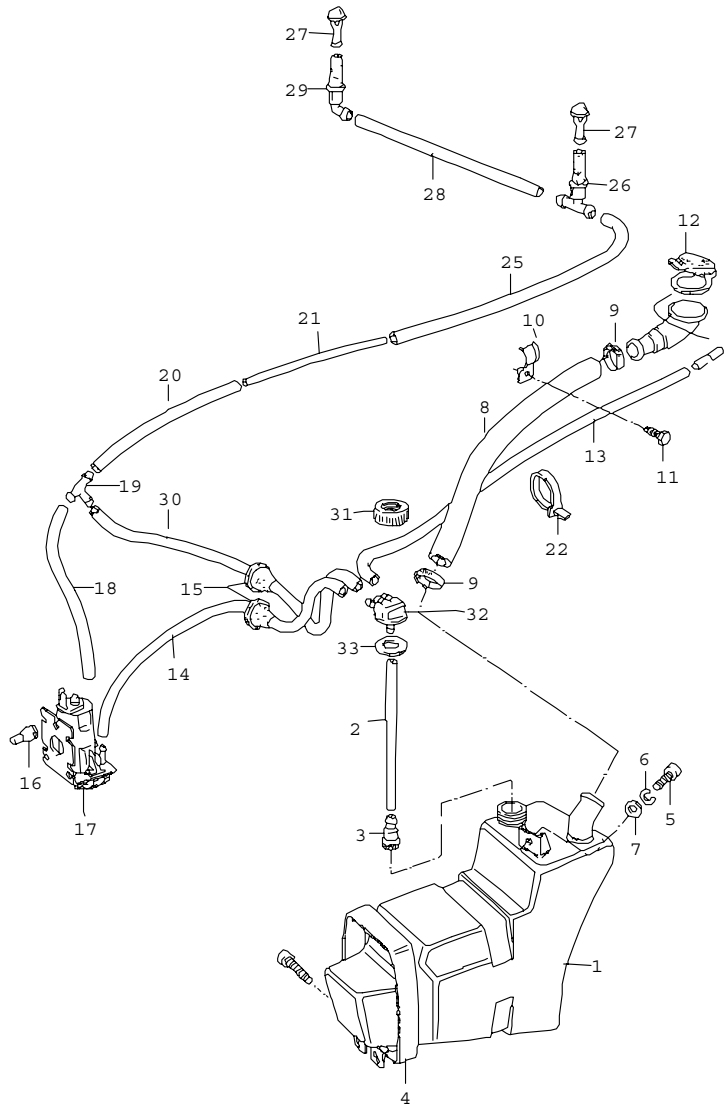


Pos	Part Number	Name	Remarks	Qty	Model
		rear window wiper			
1	930 628 061 00	rear window wiper		1	
2	911 628 063 00	wiper motor		1	
3	901 628 065 00	wiper frame		1	
4	911 628 915 00	wiper bearing		1	
(5)	930 628 507 00	angular plate		1	
6	901 628 318 00	lever		1	
(7)	930 628 901 00	joint rod		1	
8	901 628 337 00	retaining bracket		1	
9	901 628 338 00	washer		2	
10	901 628 339 00	washer		4	
11	900 076 027 02	hexagon nut M 5		2	
12	999 078 014 02	hexagon nut		1	
13	900 027 014 01	lock ring B 6		1	
14	900 076 010 02	hexagon nut M 6		1	
15	N 010 215 13	hexagon-head bolt M 6 X 15		3	
16	911 628 911 00	cap		1	
17	901 628 912 00	hexagon nut		1	
18/1	911 628 753 00	bush		1	
-	911 613 321 01	tip switch for rear window wiper		1	
-	911 612 019 00	wiring harness fuse box rear window wiper switch		1	
-	911 612 223 00	single line for rear window wiper switch		1	

Model	Year	MG	SG	Illustration	Restrictions	Update	10:39	21.08.2006	PORSCHE	PET	PORSCHE
911t	77	9	04	904-05		203					

Pos	Part Number	Name	Remarks	Qty	Model	Pos	Part Number	Name	Remarks	Qty	Model
-	911 612 025 01	wiring harness switch rear window wiper		1							
-	911 612 031 01	wiring harness fuse box wiper motor		1							
-	911 617 106 01	diode		1							
-	999 652 142 40	push-on connector		1							
-	999 702 119 50	rubber sleeve		1							
-	999 911 084 40	beading		X							
-	-	55 MM		1							
		- - - E N D - - -									

Model	Year	MG	SG	Illustration	Restrictions	Update	10:39	21.08.2006	PORSCHE	PET	PORSCHE
911t	77	9	04	904-30		203					

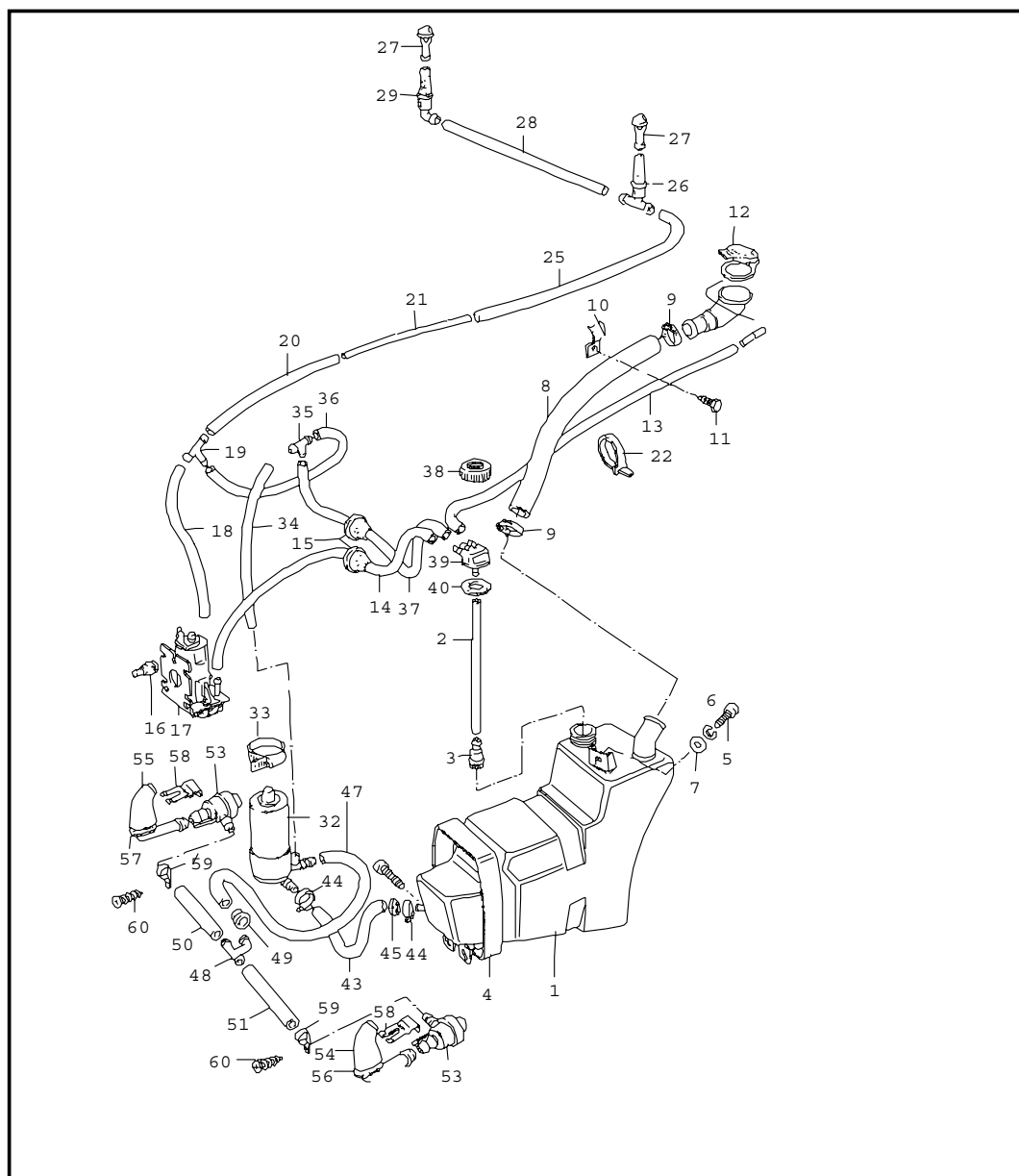


Pos	Part Number	Name	Remarks	Qty	Model
		windscreen washer system			
1	911 628 075 08	water reservoir		1	
-	N 020 301 1	hose		*	
2	-	300 MM		1	
3	911 628 749 00	t-piece		1	
4	911 628 081 00	restraining strap		1	
5	900 378 030 09	hexagon-head bolt M 6 X 20		1	
6	N 012 007 2	lock ring A 6		1	
7	900 151 003 02	washer A 6,4		1	
8	911 628 236 00	filling hose 25 X 32 X 710		1	
9	999 512 356 02	hose clamp		2	
10	911 573 145 00	clamp		1	
11	900 187 025 02	hexagon-head tapping screw B 5,5 X 13		1	
12	964 201 507 00	cover		1	
-	N 020 301 1	hose PVC 4 X 6		*	
13	-	800 MM		1	
-	N 020 301 1	hose PVC 4 X 6		*	
14	-	650 MM		1	
15	911 612 132 00	rubber sleeve		2	
16	914 628 741 00	plug		3	
17	928 628 074 01	pump		1	
-	N 020 301 1	hose PVC 4 X 6		*	
18	-	150 MM		1	
19	901 628 749 20	t-piece		1	
-	N 020 301 1	hose PVC 4 X 6		*	

Model	Year	MG	SG	Illustration	Restrictions	Update	10:39	21.08.2006	PORSCHE	PET	PORSCHE
911t	77	9	04	904-30		203					

Pos	Part Number	Name	Remarks	Qty	Model	Pos	Part Number	Name	Remarks	Qty	Model
20	-	360 MM		1							
-	999 181 183 40	pipe 4 X 5		*							
21	-	1100 MM		1							
22	999 513 023 40	tie-wrap		2							
-	N 020 301 1	hose PVC 4 X 6		*							
25	-	560 MM		1							
26	914 628 433 00	valve		1							
27	914 628 203 11	nozzle		2							
-	N 020 301 1	hose PVC 4 X 6		*							
28	-	900 MM		1							
29	911 628 999 00	valve		1							
-	N 020 301 1	hose PVC 4 X 6		*							
30	-	500 MM		1							
31	911 628 735 00	threaded cover		1							
32	911 628 737 00	centre piece		1							
33	911 628 743 00	closing gasket		1							
-	111 971 521 A	hose protecting sleeve		8							
		- - - E N D - - -									

Model	Year	MG	SG	Illustration	Restrictions	Update	10:39	21.08.2006	PORSCHE	PET	PORSCHE
911t	77	9	04	904-35		203					



Pos	Part Number	Name	Remarks	Qty	Model
		windscreen washer system together with headlight washer system			
1	911 628 075 01	water reservoir		1	
-	N 020 301 1	hose PVC 4 X 6		*	
2	-	300 MM		1	
3	911 628 749 00	t-piece		1	
4	911 628 081 00	restraining strap		1	
5	900 378 030 09	hexagon-head bolt M 6 X 20		1	
6	N 012 007 2	lock ring A 6		1	
7	900 151 003 02	washer A 6,4		1	
8	911 628 236 00	filling hose 25 X 32 X 710		1	
9	999 512 356 02	hose clamp		2	
10	911 573 145 00	clamp		1	
11	900 187 025 02	hexagon-head tapping screw B 5,5 X 13		1	
12	964 201 507 00	cover		1	
-	N 020 301 1	hose PVC 4 X 6		*	
13	-	800 MM		1	
-	N 020 301 1	hose PVC 4 X 6		*	
14	-	650 MM		1	
15	911 612 132 00	rubber sleeve		2	
16	914 628 741 00	plug		3	
17	928 628 074 01	pump electric		1	
-	N 020 301 1	hose PVC 4 X 6		*	
18	-	150 MM		1	

Model	Year	MG	SG	Illustration	Restrictions	Update	10:39	21.08.2006	PORSCHE	PET	PORSCHE
911t	77	9	04	904-35		203					

Pos	Part Number	Name	Remarks	Qty	Model	Pos	Part Number	Name	Remarks	Qty	Model
19	901 628 749 20	t-socket		1		38	911 628 735 00	threaded cover		1	
-	N 020 301 1	hose PVC 4 X 6		*		39	911 628 737 00	centre piece		1	
20	-	360 MM		2		40	911 628 743 00	closing gasket		1	
-	999 181 183 40	pipe 4 X 5		*		-	999 181 182 40	hose PVC 10 X 14		*	
21	-	1100 MM		1		43	-	330 MM		1	
22	999 513 023 40	tie-wrap		2		(43)	999 181 182 40	hose PVC 10 X 14 X 140 for cars with air conditioner		1	
-	N 020 301 1	hose PVC 4 X 6		*		44	999 512 134 02	hose clamp		2	
25	-	560 MM		1		45	021 119 569 A	rubber sleeve		1	
26	914 628 433 00	valve		1		47	900 918 031 40	pressure hose 10 X 12,5		1	
27	914 628 203 11	nozzle		2		(47)	900 918 031 40	pressure hose PA 11 for cars with air conditioner		1	
-	N 020 301 1	hose PVC 4 X 6		*		48	914 628 413 10	distributing piece		1	
28	-	900 MM		1		-	999 512 160 02	hose clamp		6	
29	911 628 999 00	valve		1		49	311 941 189 A	grommet		1	
32	477 955 679 A	pump		1		-	900 918 031 40	pressure hose 10 X 12,5		*	
33	999 512 164 02	hose clamp		1		50	-	780 MM		1	
35	911 628 748 00	valve		1		-	900 918 031 40	pressure hose 10 X 12,5		*	
-	N 020 301 1	hose PVC 4 X 6		X		51	-	480 MM		1	
34	-	510 MM		1		53	113 955 187	nozzle		2	
-	N 020 301 1	hose PVC 4 X 6		*		54	911 628 085 00	nozzle	/L	1	
(34)	-	320 MM for cars with air conditioner		1		55	911 628 086 00	nozzle	/R	1	
-	N 020 301 1	hose PVC 4 X 6		*		56	911 628 807 00	desk pad	/L	1	
36	-	100 MM		1		57	911 628 808 00	desk pad	/R	1	
-	N 020 301 1	hose PVC 4 X 6		*		58	113 955 199	leaf spring		2	
37	-	530 MM		1		59	999 511 052 02	clamp		2	

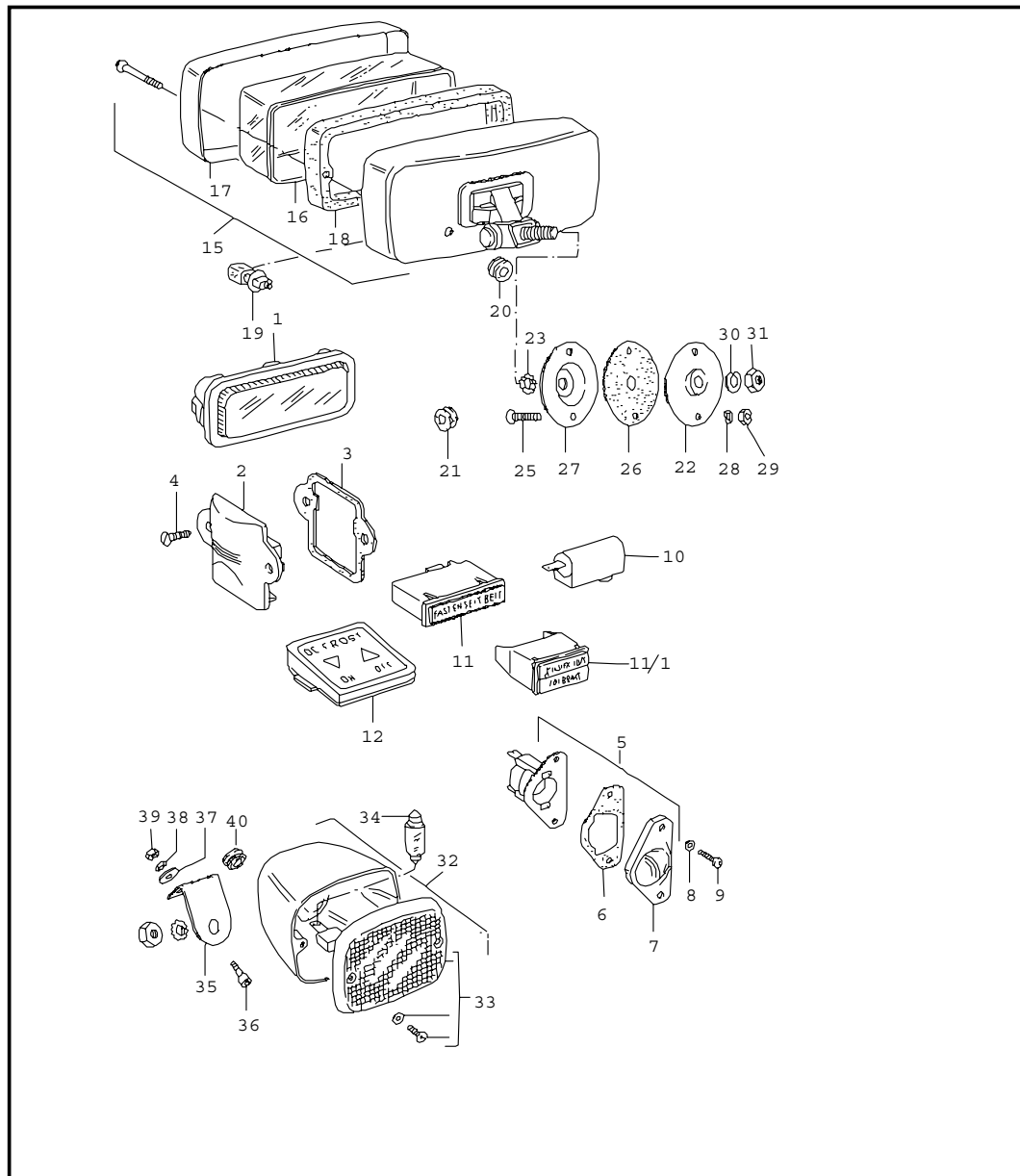
Model	Year	MG	SG	Illustration	Restrictions	Update	10:39	21.08.2006	PORSCHE	PET	PORSCHE
911t	77	9	04	904-35		203					

Pos	Part Number	Name	Remarks	Qty	Model	Pos	Part Number	Name	Remarks	Qty	Model
60	N 013 968 7	tapping screw B 4,8 X 13		2							
-	111 971 521 A	hose protecting sleeve		12							
		- - - E N D - - -									

Model	Year	MG	SG	Illustration	Restrictions	Update	10:40	21.08.2006	PORSCHE	PET	PORSCHE
911t	77	9	05	905-00		203					

Pos	Part Number	Name	Remarks	Qty	Model	Pos	Part Number	Name	Remarks	Qty	Model
25	911 631 961 00	rubber seal direction indicator light	/V	2							
(25)	911 631 920 00	lens side marker light		2							
(26)	911 631 916 00	lens direction indicator light	/V	2							
(26)	911 631 920 00	lens side marker light	/V	2							
27	911 631 918 00	oval-head sheetmetal screw	/V	4							
28	900 025 003 02	washer 5,3		4							
29	N 021 196 1	lock nut M 5		4							
-	999 591 379 02	cable clamp		4							
(32)	901 631 941 00	rear light housing	/L	1							
(32)	901 631 942 00	rear light housing	/R	1							
(34)	911 631 951 00	lens	/L	1							
(34)	911 631 952 00	lens	/R	1							
35	911 631 971 01	gasket	/L	1							
(35)	911 631 971 00	gasket	/R	1							
36	999 507 312 12	cable holder		4							
37	911 631 432 03	covering		1							
38	911 631 602 00	washer		10							
39	911 631 605 00	hose piece		10							
40	911 631 603 00	washer		10							
-	N 012 224 3	spring washer		10							
41	N 011 004 6	hexagon nut M 4		10							
		- - - E N D - - -									

Model	Year	MG	SG	Illustration	Restrictions	Update	10:40	21.08.2006	PORSCHE	PET	PORSCHE
911t	77	9	05	905-10		203					

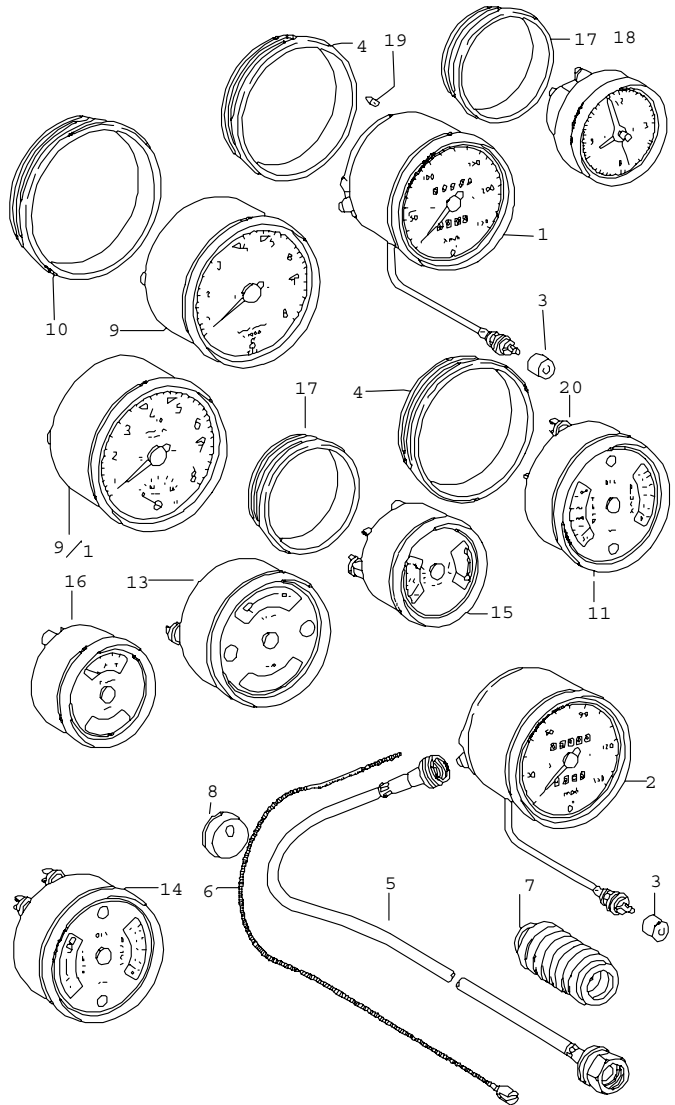


Pos	Part Number	Name	Remarks	Qty	Model
		fog headlamp rear fog light			
(1)	901 632 101 28	interior light		2	
(1)	911 632 103 00	interior light glove compartment		1	
2	901 632 201 01	luggage boot lamp		1	
3	901 632 291 00	desk pad		1	
4	N 013 961 2	tapping screw B 3,9 X 13		2	
5	911 631 620 04	license plate light		2	
6	911 631 608 00	gasket		2	
7	911 631 606 00	lens		2	
8	911 631 604 00	sealing washer		4	
(9)	900 143 116 07	oval-head sheetmetal screw B 3,5 X 22		4	
-	911 505 339 00	speed nut BG 3,5		4	
-	999 591 381 02	cable clamp		2	
10	911 632 904 00	ashtray light for ashtray		1	
11/1	911 632 013 00	double control light ("FASTEN BELTS"/"BRAKE")	/LL 76	1	
11/1	911 632 013 04	indicator light ("FASTEN BELTS"/"BRAKE")	/LL 77-	1	
-	911 632 116 01	grommet for double control light	76	1	
-	900 631 129 90	bulb 12 V - 1,2 W		1	
12	914 632 107 00	light for lever heating		1	
-	N 013 954 1	tapping screw B 2,9 X 13 for 914.632.107.00		2	

Model	Year	MG	SG	Illustration	Restrictions	Update	10:40	21.08.2006	PORSCHE	PET	PORSCHE
911t	77	9	05	905-10		203					

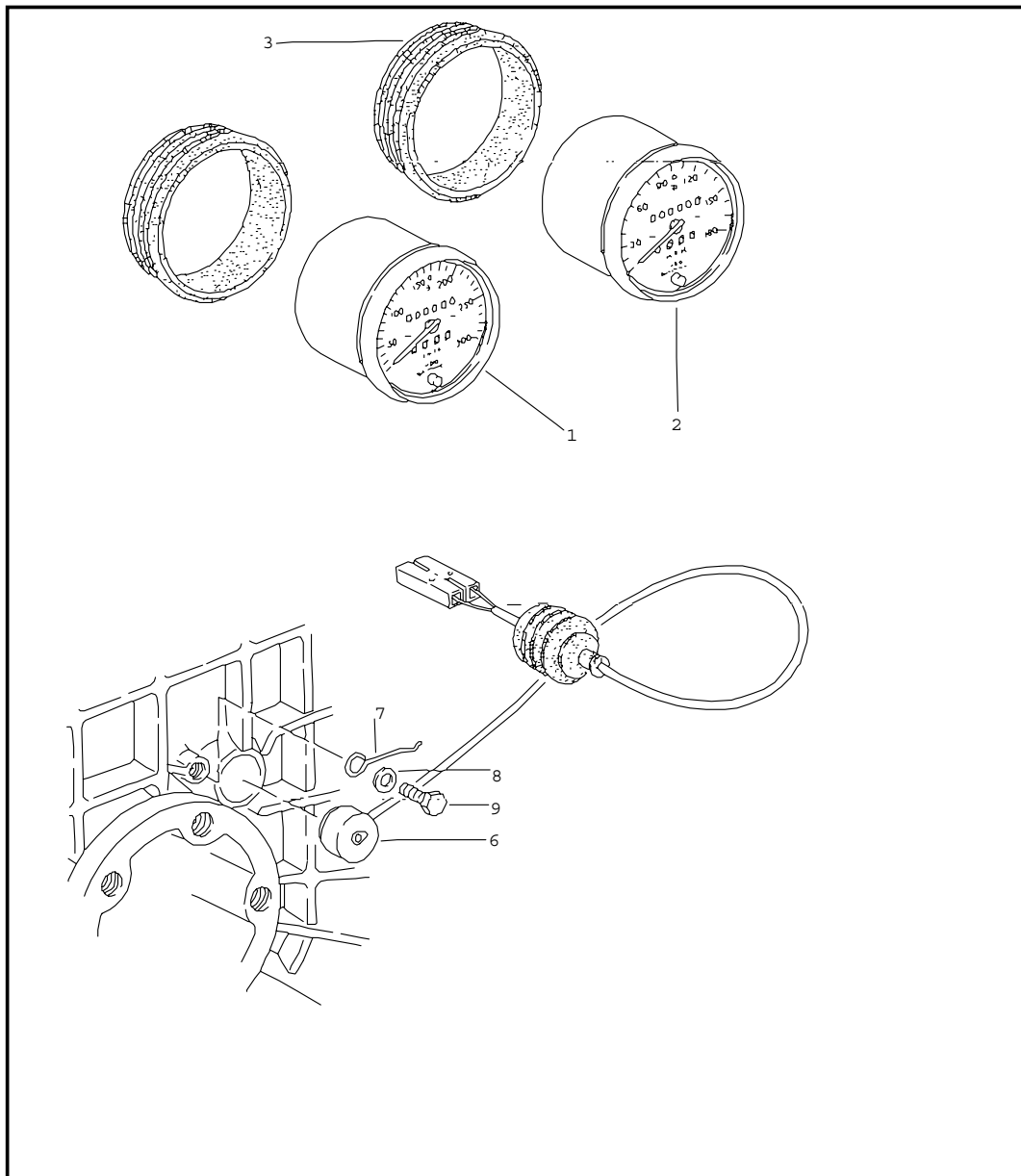
Pos	Part Number	Name	Remarks	Qty	Model	Pos	Part Number	Name	Remarks	Qty	Model
15	911 631 206 03	fog headlamp housing black		2		-	900 631 115 90	bulb for luggage boot lamp 12 V - 10 W		1	
16	911 631 964 00	light-diffusing lens for 911.631.206.01 and 911.631.206.03		2		-	900 631 106 90	linolite lamp for interior light and engine compartment lamp 12 V - 10 W		3	
17	911 631 959 28	ring for fog headlamp black		2		-	900 631 102 90	bulb for instruments and indicator light 12 V - 2 W		X	
18	911 631 956 00	gasket		2		-	900 631 129 90	bulb for switch fog headlamp additional headlamp -WEBASTO- heating windscreen heating and rear window heating		X	
19	900 631 126 90	halogen bulb H 3		2		-	999 631 115 90	bulb for brake light rear light and direction indicator light 12 V - 32 / 3 CP		4	
20	999 702 084 50	rubber sleeve		2		-	999 631 114 90	bulb for direction indicator light and back-up light 12 V - 32 CP		4	
21	911 612 132 00	rubber sleeve		2		-	999 631 104 91	bulb for side marker light and license plate light 12 V - 2 CP		4	
22	911 631 060 01	tensioning plate outer		2							
23	900 114 011 01	shake-proof washer A 10,5		2							
25	900 067 009 02	pan-head screw M 6 X 16		4							
26	911 631 151 01	rubber base		2							
27	911 631 150 01	tensioning plate inner		2							
28	N 012 226 5	spring washer A 6		4							
29	900 076 010 02	hexagon nut M 6		4							
30	900 027 016 02	lock ring B 10		2							
31	N 011 010 6	hexagon nut M 10		2							
-	911 631 315 01	engine compartment lamp		1							
-	999 631 122 90	headlamp unit sealed-beam 12 V - 60 / 50 W		2	(USA)						
-	900 631 126 90	halogen bulb H 3 for fog headlamp		2							
								- - - E N D - - -			

Model	Year	MG	SG	Illustration	Restrictions	Update	10:40	21.08.2006	PORSCHE	PET	PORSCHE
911t	77	9	06	906-00		203					



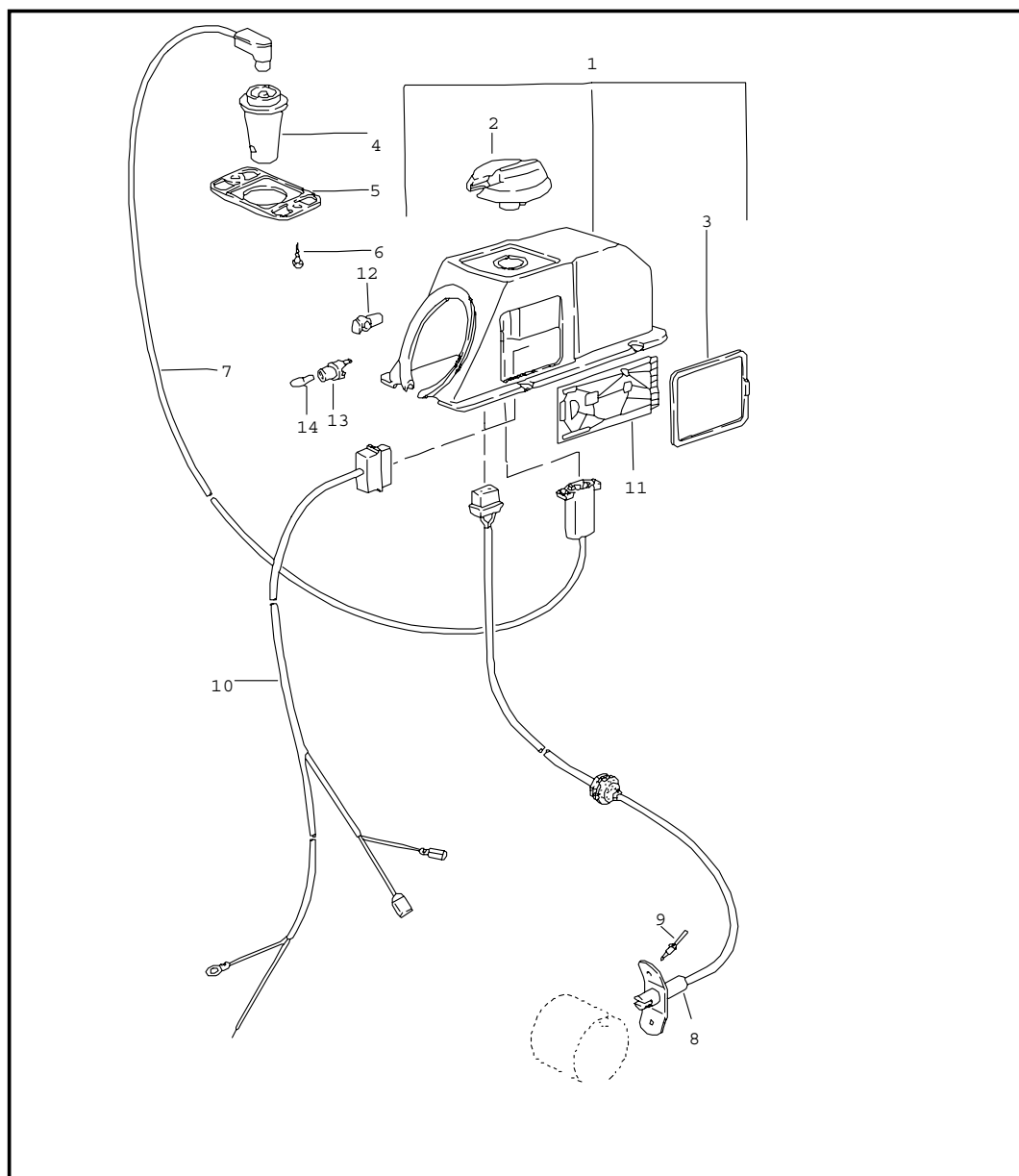
Pos	Part Number	Name	Remarks	Qty	Model
		tachometer instrument cluster			
4	911 641 902 00	rubber ring 100 \$		2	
(9)	930 641 301 00	tachometer	-76	1	
9/1	930 641 302 00	tachometer	77-	1	
10	911 641 903 00	rubber ring 115 \$		1	
(11)	911 641 107 30	instrument cluster 100 \$	-76	1	
11	911 641 107 31	instrument cluster english 100 \$	77-	1	
15	911 641 202 03	instrument cluster 80 \$		1	
17	911 641 901 00	rubber ring 80 \$		2	
18	911 641 701 29	clock 80 \$		1	
19	900 631 102 90	bulb for illumination instruments 12 V 2 W		X	
20	999 632 007 00	bulb holder single pole		X	
(20)	999 632 009 10	bulb holder 2-pole		X	
-	911 612 047 00	wiring harness for illumination instruments with bulb holder		1	
- - - E N D - - -					

Model	Year	MG	SG	Illustration	Restrictions	Update	10:40	21.08.2006	PORSCHE	PET	PORSCHE
911t	77	9	06	906-05		203					



Pos	Part Number	Name	Remarks	Qty	Model
		speedometer pulse sender			
(1)	911 641 516 01	speedometer KM/H 250	77-	1	(CDN)
2	911 641 534 00	speedometer MPH 180	-76	1	
(2)	930 641 506 00	speedometer MPH 180 for / 50 tyre	-76	1	
(2)	930 641 508 00	speedometer MPH 150		1	
3	911 641 902 00	rubber ring 100\$		1	
6	911 606 209 00	pulse sender		1	
7	915 660 509 00	tensioning spring		1	
8	N 011 524 7	washer 6,4		1	
9	900 075 010 02	hexagon-head bolt M 6 X 12		1	
-	911 612 406 01	cable holder		1	
-	900 093 010 02	grooved nail 3 X 6	-76	1	
-	900 093 010 02	grooved nail 3 X 8	77-	1	
-	999 513 002 40	tie-wrap		1	
- - - E N D - - -					

Model	Year	MG	SG	Illustration	Restrictions	Update	10:41	21.08.2006	PORSCHE	PET	PORSCHE
911t	77	9	08	908-00		203					



Pos	Part Number	Name	Remarks	Qty	Model
		control mechanism for heating			
1	911 659 049 01	control mechanism		1	
2	911 659 110 00	knob		1	
3	911 659 108 00	cover		2	
4	911 659 105 01	interior sensor		1	
5	911 571 235 01	rose		1	
6	900 143 065 07	tapping screw B 2,9 X 9,5		2	
7	911 612 150 00	wiring harness		1	
8	911 659 101 00	caloric feeler		1	
9	999 190 129 02	blind rivet		2	
10	911 612 152 00	wiring harness	/LL	1	
-	N 012 225 2	spring washer B 5		4	
-	900 075 154 07	hexagon-head bolt M 5 X 18		4	
11	911 659 907 00	printed circuit board		1	
12	999 168 021 40	ball socket		2	
13	914 631 179 10	bulb holder		1	
14	900 631 129 90	bulb 12 V - 1,2 W		1	
		- - - E N D - - -			

Model	Year	MG	SG	Illustration	Restrictions	Update	10:41	21.08.2006
911t	77	9	98	998-00		203		

Pos	Part Number	Name	Remarks	Qty	Model
		installation set headlight washer system fog headlamp radio			
>>	> 911 628 997 00	headlight washer system set for subsequent installat.		1	
>>	> 911 631 993 00	fog headlamp white set for subsequent installat. comprising:		2	
-	911 631 206 03	fog headlamp		2	
-	999 702 084 50	rubber sleeve		2	
-	911 612 132 00	rubber sleeve		2	
-	900 114 011 01	shake-proof washer A 10,5		2	
-	911 631 060 01	tensioning plate outer		2	
-	911 631 151 01	rubber base		2	
-	911 631 150 01	tensioning plate inner		4	
-	N 012 226 5	spring washer A 6		4	
-	900 076 010 02	hexagon nut M 6		2	
-	900 027 016 02	lock ring B 10		2	
-	N 011 010 6	hexagon nut M 10		1	
-	911 612 027 03	additional cables		1	
-	901 612 064 00	ground cable		1	
-	901 612 066 02	wiring harness for switch		1	
-	911 615 109 01	standard type relay		1	
-	902 613 623 90	switch		1	
-	999 703 067 50	grommet		1	
-	911 613 213 02	rose		1	

Model	Year	MG	SG	Illustration	Restrictions	Update	10:41	21.08.2006
911t	77	9	98	998-00		203		

Pos	Part Number	Name	Remarks	Qty	Model
-	900 631 102 90	bulb 12 V - 2 W		1	
-	911 613 215 02	knob		1	
>>	> 911 619 901 02	suppression set for radio comprising:	76-	1	
-	911 619 001 00	suppression set regulator		1	
-	999 619 126 01	condenser wiper motor		1	
-	901 612 107 00	ground strap bonnet		2	
		antenna			
-	911 645 301 04	telescopic antenna		1	
-	911 645 033 06	antenna		1	
>>	> 911 645 906 00	installation set door speaker 8 OHM comprising:	75-	1	
-	911 645 403 00	door speaker 8 OHM		2	
-	911 612 148 07	wiring harness door		2	
-	911 612 148 10	wiring harness door body right		1	
-	911 612 148 11	wiring harness door body left		1	
-	911 612 148 05	wiring harness connecting line		1	
-	911 612 148 06	wiring harness loudspeaker radio		1	
-	999 651 152 02	cable clamp		2	
-	911 645 217 00	housing loudspeaker		2	
-	900 146 009 02	oval-head screw AM 4 X 12		4	

Model	Year	MG	SG	Illustration	Restrictions	Update	10:41	21.08.2006
911t	77	9	98	998-00		203		

Pos	Part Number	Name	Remarks	Qty	Model
-	900 025 002 02	washer 4,3		16	
-	900 027 002 02	lock ring A 4		4	
-	N 011 004 6	hexagon nut M 4		4	
-	900 143 007 02	tapping screw B 4,2 X 13		8	
>>	> 911 645 405 02	installation set stereo rear loudspeaker only together with 8 OHM door speaker comprising:	76-	1	
-	911 645 403 01	rear loudspeaker 8 OHM		2	
-	900 025 002 02	washer 4,3		8	
-	N 011 004 6	hexagon nut M 4		8	
-	N 012 224 3	spring washer A 4		8	
-	911 612 067 01	wiring harness rear loudspeaker		1	
-	911 612 095 02	wiring harness rear loudspeaker radio		1	
>>	> 911 645 111 14	installation set for radio KOELN-AUTOMATIC FRANKFURT L-M-K-U FRANKFURT M-U US-BAND COBURG LM 1M 2 ELECTRONIC FRANKFURT-STEREO-US FRANKFURT-STEREO KOELN-STEREO-L-M-U BAMBERG-ELECTRONIC STEREO-L-M-U - - - E N D - - -		1	

Model	Year	MG	SG	Illustration	VIN No.	Update		
911t	77	9	98	998		203	10:48	21.08.2006

TR203

THIS PARTS CATALOGUE CONTAINS ALL ORDER INFORMATION OF
TYPES 911 TURBO FROM MODEL YEAR 1975 - 1977
911 TURBO CARRERA FROM MODEL YEAR 1976 - 1977 (USA-CDN)

IT IS AVAILABLE IN TWO EDITIONS IN THE FOLLOWING LANGUAGES:

EDITION
USA, CANADA - *

EDITION
ALL OTHER COUNTRIES - GERMAN
* - ENGLISH
- FRENCH
- ITALIAN
- SPANISH

UPDATING IS BEING PERFORMED BY CHANGING OF UPDATE.

THE EDITION CAN BE RECOGNIZED BY THE CURRENT NO.
IN THE BOTTOM LINE OF SUBJECT UPDATE.

THE PREVIOUS UPDATE SHOULD NO LONGER BE USED.

ALL ILLUSTRATIONS ARE SUBJECT TO CHANGE WITHOUT OBLIGATION.

WE RESERVE THE RIGHT TO SUPPLY A SUBSEQUENTLY
PRODUCED COMPONENT, ON WHICH ADDITIONAL WORK
IS NECESSARY, INSTEAD OF THE COMPONENT LISTED IN
THE CATALOGUE

PET V-Pages

Model	Year	MG	SG	Illustration	VIN No.	Update	10:48	21.08.2006
911t	77	9	98	998		203		

TR006

EXPLANATION OF THE ABRIDGED VERSION OF THE VEHICLE IDENT. NUMBERS (VIN)
 =====
 USED IN THE CATALOGUE
 =====

DIGIT:		1	2	3	4	5	6	7	8	9	10
EXAMPLE:		9	3	0	5	7	0	0	3	9	1
		=====			=	=	=====				
					!	!			!		
VEHICLE TYPE-----+					!	!			!		
					!	!			!		
MODEL YEAR-----+					!	!			!		
					!	!			!		
CODE FOR BODY AND ENGINE-----+					!	!			!		
					!	!			!		
SERIAL NUMBER-----+					!	!			!		

PET V-Pages

Model	Year	MG	SG	Illustration	VIN No.	Update		
911t	77	9	98	998		203	10:48	21.08.2006

FR006

VEHICLE TYPE	MY	VIN	ENGINE TYPE
911 TURBO	75 5	93057 0001>>	930.50
911 TURBO	76 6	93067 0001>>	930.52
911 TURBO (J)	76 6	93067 0001>>	930.52
911 TURBO CARRERA (USA) (CDN)	76 6	93068 0001>>	930.51
911 TURBO	77 7	93077 0001>>	930.52
911 TURBO	77 7	93077 0001>>	930.54
911 TURBO CARRERA (USA) (CDN)	77 7	93078 0001>>	930.53

PET V-Pages

Model	Year	MG	SG	Illustration	VIN No.	Update	10:49	21.08.2006
911t	77	9	98	998		203		

TR006

EXPLANATION OF THE MOTOR-NUMBERS USED IN THE CATALOGUE
 =====

DIGIT:		1	2	3		4	5	6	7
EXAMPLE:		6	7	5		0	3	9	1
		=	=	=		=	=	=	=
		!	!	!		!			
ENGINE TYPE (6 = 6-CYL.-ENGINE)	-----+	!	!	!		!			
		!	!			!			
ENGINE VERSION	-----+	!				!			
		!				!			
MODEL YEAR	-----+					!			
						!			
SERIAL NUMBER	-----+					!			

PET V-Pages

Model	Year	MG	SG	Illustration	VIN No.	Update		
911t	77	9	98	998		203	10:49	21.08.2006

MR006

VEHICLE TYPE	ENGINE TYPE	MY	ENGINE NO.	TECHNICAL DATA
911 TURBO	930.50	75 5	675 0001>>	6ZYL/3,0L/191KW
911 TURBO	930.50	76 6	676 0001>>	6ZYL/3,0L/191KW
911 TURBO	930.52	76 6	676 0301>>	6ZYL/3,0L/191KW
911 TURBO CARRERA (USA) (CDN)	930.51	76 6	686 0001>>	6ZYL/3,0L/180KW
911 TURBO	930.52	77 7	677 0001>>	6ZYL/3,0L/191KW
911 TURBO CARRERA (USA) (CDN)	930.53	77 7	687 0001>>	6ZYL/3,0L/180KW
911 TURBO (J)	930.54	77 7	677 2001>>	6ZYL/3,0L/180KW

PET V-Pages

Model	Year	MG	SG	Illustration	VIN No.	Update	10:49	21.08.2006
911t	77	9	98	998		203		

TR006

EXPLANATION OF THE TRANSMISSION-NUMBERS USED IN THE CATALOGUE

```

=====
DIGIT::                1 2 3   4 5 6 7
EXAMPLE:              7 7 5   0 3 9 1
                      = = =   =====
                      ! ! !       !
TRANSMISSION TYPE-----+ ! !       !
                      ! !       !
TRANSMISSION VERSION-----+ !       !
                      !       !
MODEL YEAR-----+
SERIAL NUMBER-----+
    
```

PET V-Pages

Model	Year	MG	SG	Illustration	VIN No.	Update		
911t	77	9	98	998		203	10:49	21.08.2006

GR006

VEHICLE TYPE	TRANSM. TYPE	MY	TRANSMISSION NO.	TECHNICAL DATA
911 TURBO	930.30	75 5	775 0001>>	4-SPEED
911 TURBO	930.30	76 6	776 0001>>	4-SPEED
911 TURBO	930.32	76 6	776 1001>>	4-SPEED
911 TURBO CARRERA (USA) (CDN)	930.30	76 6	776 0001>>	4-SPEED
911 TURBO	930.33	77 7	777 0001>>	4-SPEED
911 TURBO CARRERA (USA) (CDN)	930.33	77 7	777 0001>>	4-SPEED

Model	Year	MG	SG	Illustration	VIN No.	Update	10:49	21.08.2006
911t	77	9	98	998		203		

TR006

LEGENDS AND NOTICES

=====

IN COLUMN -S- STATUS

- N NEW ADDITION
- P PART ALREADY IN PROGRAMME, BUT NEW AT THIS APPLICATION
- W DELETED AT THIS APPLICATION, BUT CONTINUED TO BE CARRIED
- A STOCK TO BE USED UP
- U DELETED WITHOUT REPLACEMENT
- * PART ALSO OR ONLY AVAILABLE IN REPAIR KIT
- > ALSO AVAILABLE IN EXCHANGE

IN COLUMN - ILL. -

- 1 IDENTIFICATION NO. IN ILLUSTRATION
- (1) PART ONLY SIMILAR AS ILLUSTRATED
- PART IS NOT ILLUSTRATED

FIG.-NUMBERS FOR WHICH THERE IS SHOWN NO TEXT ARE NOT VALID FOR THIS EDITION OF CATALOGUE

IN COLUMN -PART NUMBER/CODE-

000 000 000 00 PART NUMBER EQUALS ORDERING NO., IF A CODE IS SHOWN, IT WILL HAVE TO BE PART OF ORDERING NUMBER

01C COLOUR CODE

IN COLUMN -TEXT

INSTALLATION WITH ENGINE OR CHASSIS NUMBER-RANGE

EXAMPLE:

M 675 0391 >> FROM ENGINE NO.
 F >> 93057 00391 UP TO CHASSIS NO.

PET V-Pages

Model	Year	MG	SG	Illustration	VIN No.	Update	10:49	21.08.2006
911t	77	9	98	998		203		

TR006

IN COLUMN - A -

IDENTIFICATION LETTER FOR PERIOD OF INSTALLATION
THAT IS REPEATED SEVERAL TIMES IN THE CATALOG GROUP.

EXPLANATION PLEASE FIND IN TEXT COLUMN OF THE CATALOG GROUP

IN COLUMN - QU - = NO. OF PIECES

- 1 NUMBER PER APPLICATION
- X NUMBER AS NEEDED
- * AVAILABLE ONLY IN RUNNING LENGTHS 1 = 1 METRE

IN COLUMN - MODEL/SYMBOL -

-76 LIMITATION OF MODEL YEAR FOR INSTANCE: VALID UP TO
END OF MODEL YEAR 1976

- /LL LHD
- /RL RHD
- +
- /V FRONT I
- I
- /H REAR I
- I----> APPLIES TO
- /L LEFT I DIRECTION OF TRAVEL
- I
- /R RIGHT I
- +

WW THE PART CAN BE USED INSTEAD OF THE
PRECEDING ONE.

M ADDITIONAL EQUIPMENT, REDUCED EQUIPMENT,
OPTIONAL EQUIPMENT

Model	Year	MG	SG	Illustration	VIN No.	Update		
911t	77	9	98	998		203	10:49	21.08.2006

TR206

EQUIPMENT BY COUNTRY REGULATIONS
=====

(A) AUSTRIA
(AUS) AUSTRALIA
(B) BELGIUM
(CDN) CANADA
(CH) SWITZERLAND
(D) FEDERAL REPUBLIC OF GERMANY
(DK) DENMARK
(E) SPAIN
(F) FRANCE
(GB) GREAT BRITAIN
(GR) GREECE
(HK) HONGKONG
(I) ITALY
(J) JAPAN
(L) LUXEMBURG
(N) NORWAY
(NL) NETHERLANDS
(NS) NEW ZEALAND
(P) PORTUGAL
(RC) TAIWAN
(S) SWEDEN
(SA) SAUDI ARABIA
(SF) FINLAND
(USA) UNITED STATES OF AMERICA